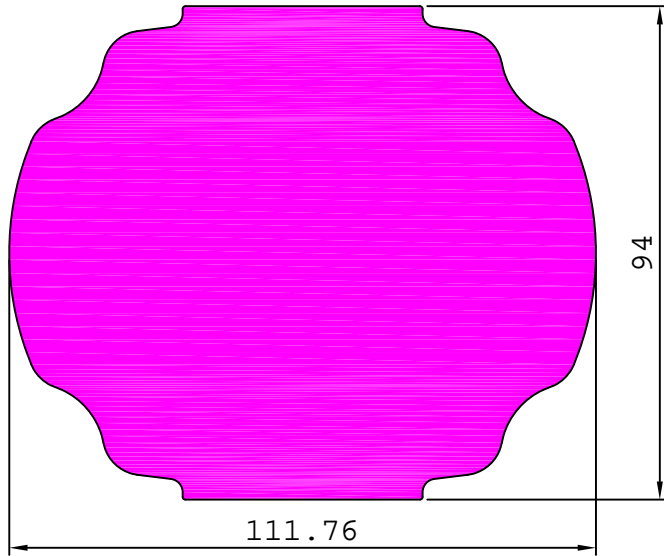
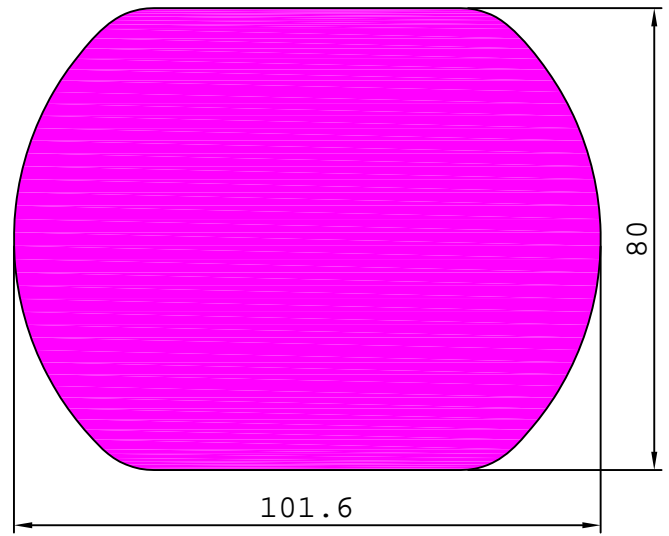


PUMP BODY AND ACTUATOR BODY

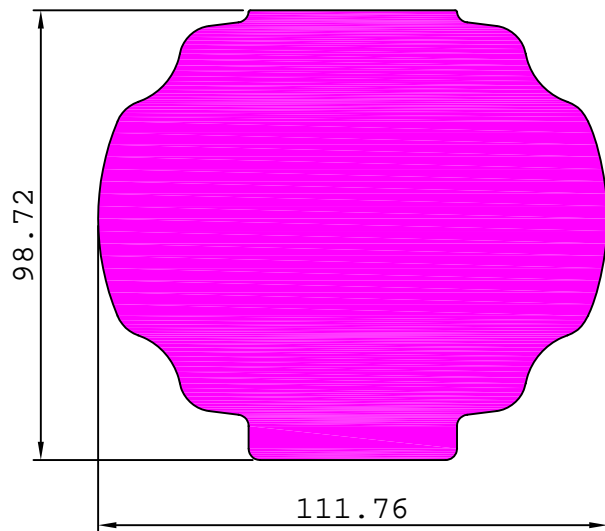
27001 23.131 kg/m



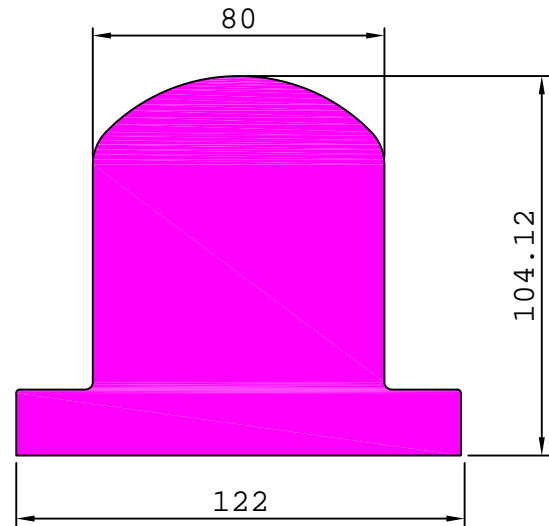
27002 19.367 kg/m



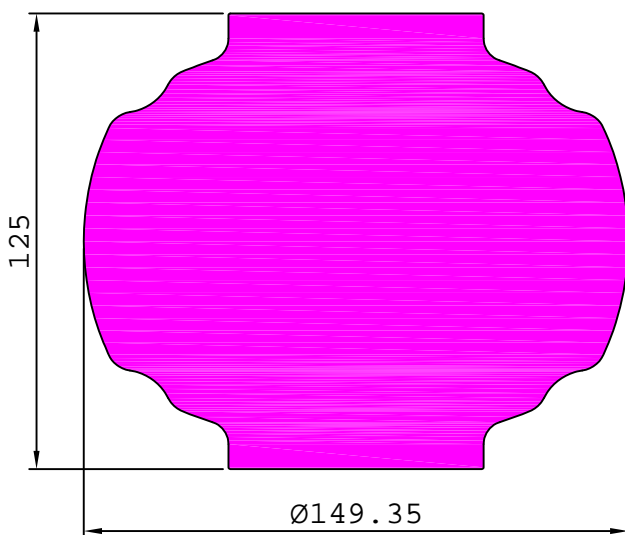
27003 23.703 kg/m



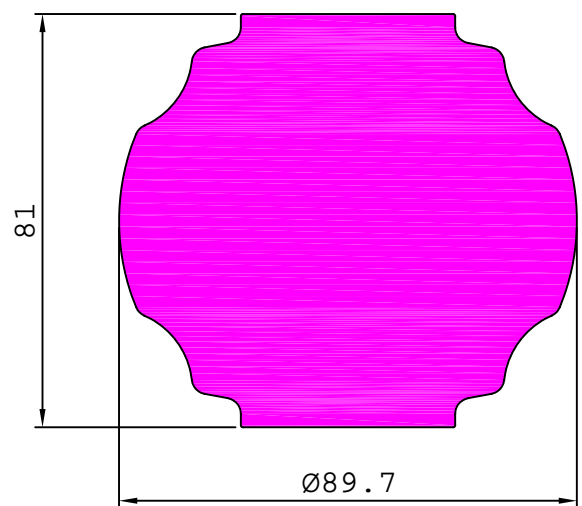
27004 23.258 kg/m



27005 40.237 kg/m



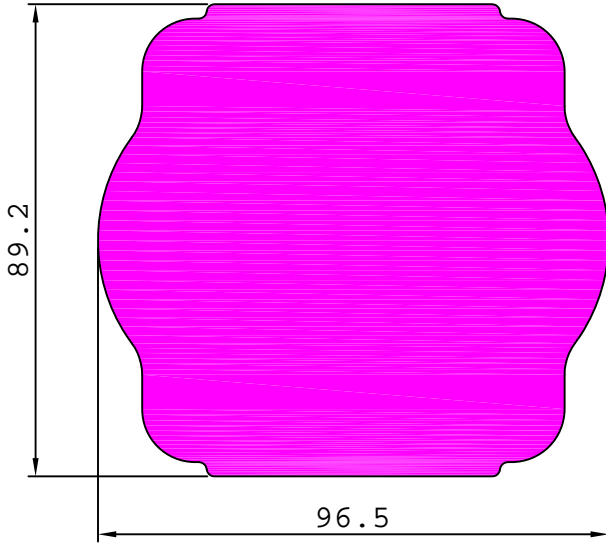
27006 15.738 kg/m



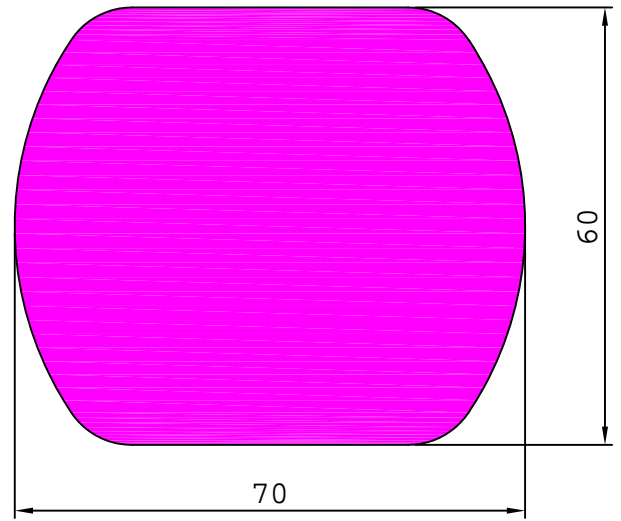


PUMP BODY AND ACTUATOR BODY

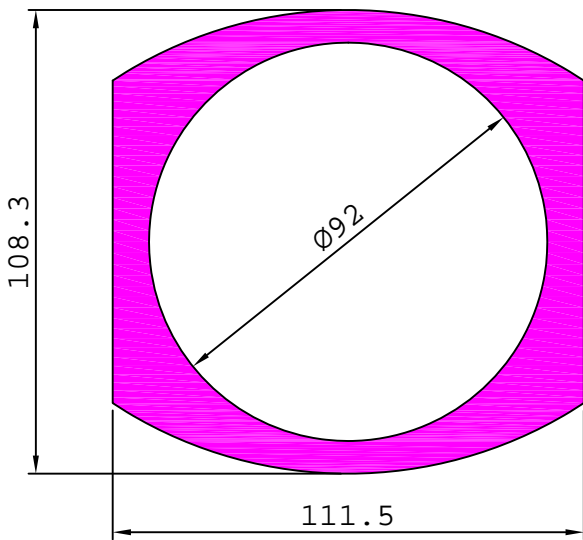
27007 20.000 kg/m



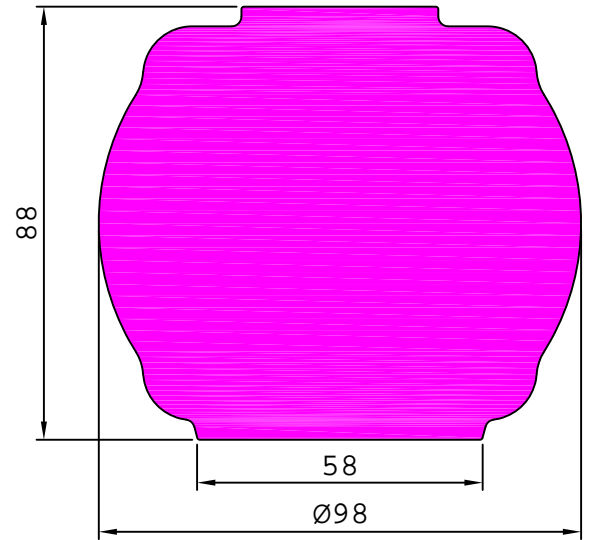
27009 10.162 kg/m



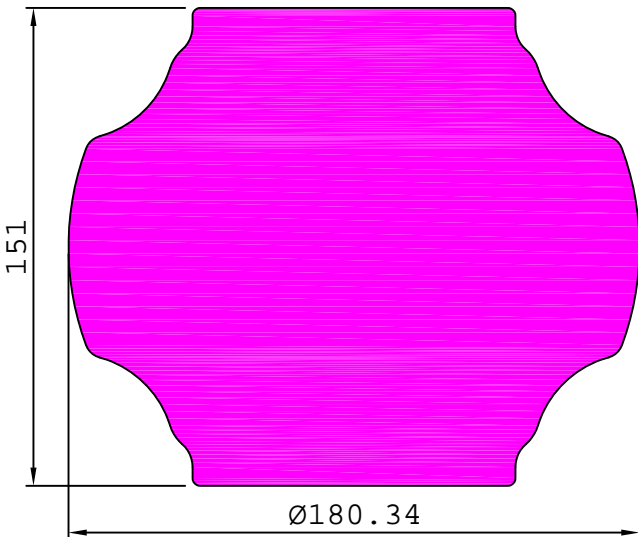
27011 11.371 kg/m



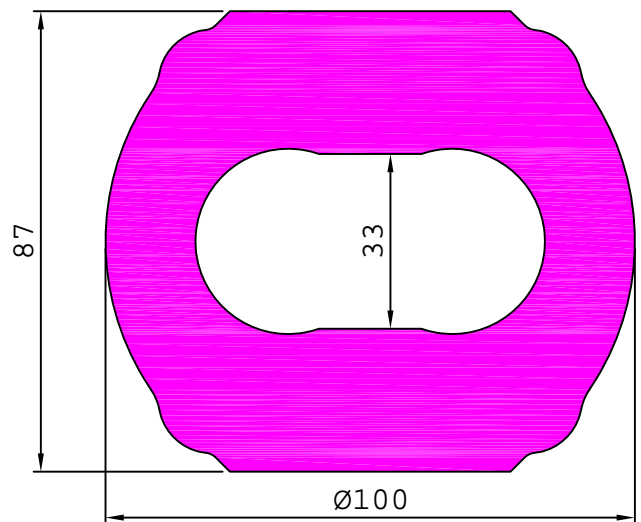
27012 20.000 kg/m



27013 59.222 kg/m



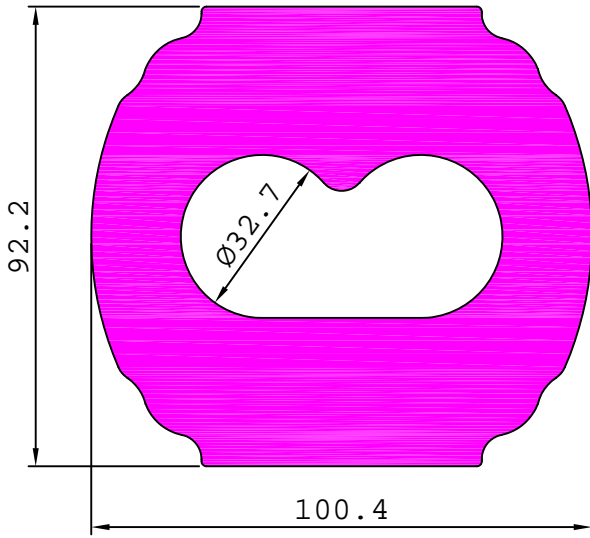
27014 14.927 kg/m



PUMP BODY AND ACTUATOR BODY

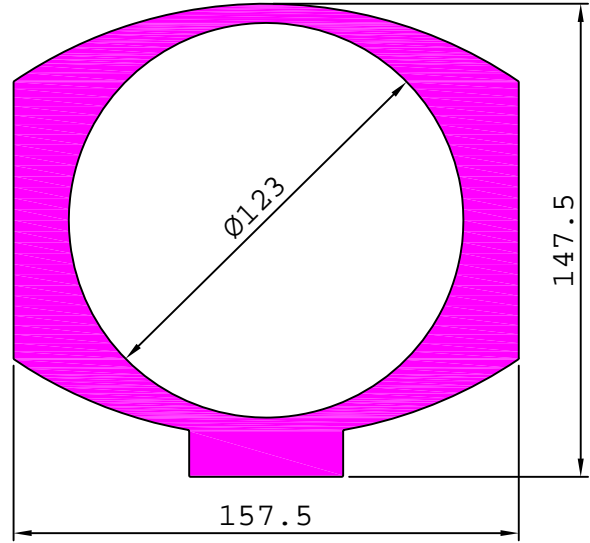
27016

16.635 kg/m



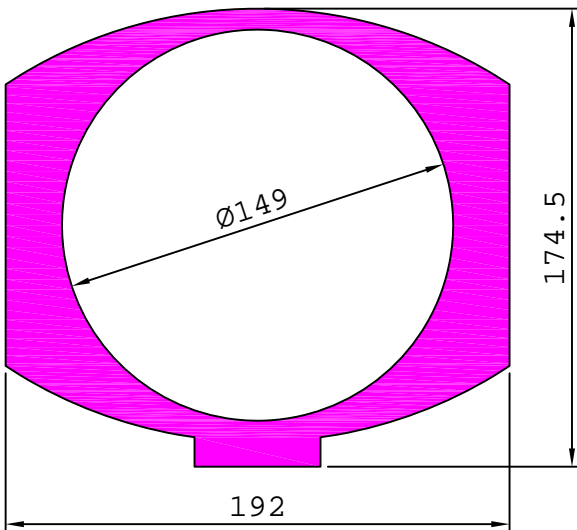
27017

20.418 kg/m



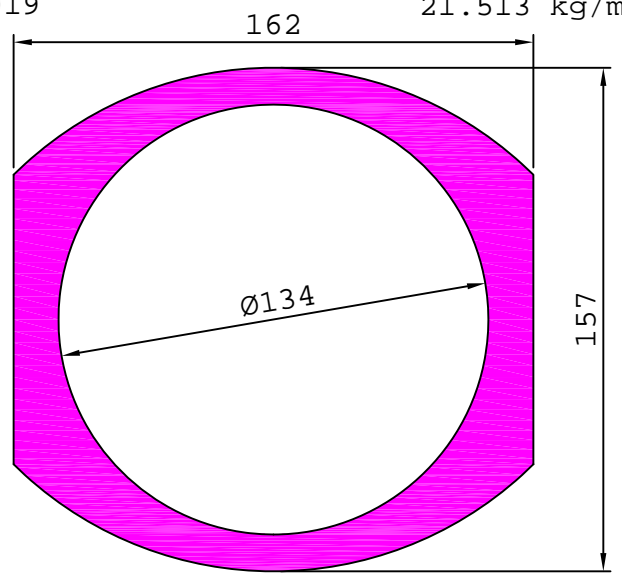
27018

30.136 kg/m



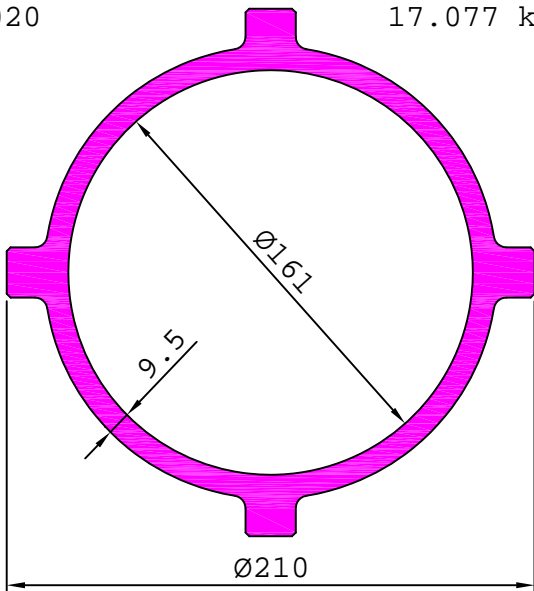
27019

21.513 kg/m



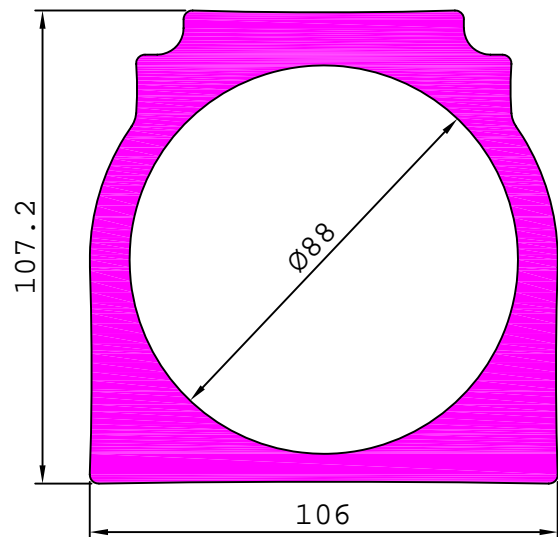
27020

17.077 kg/m



27021

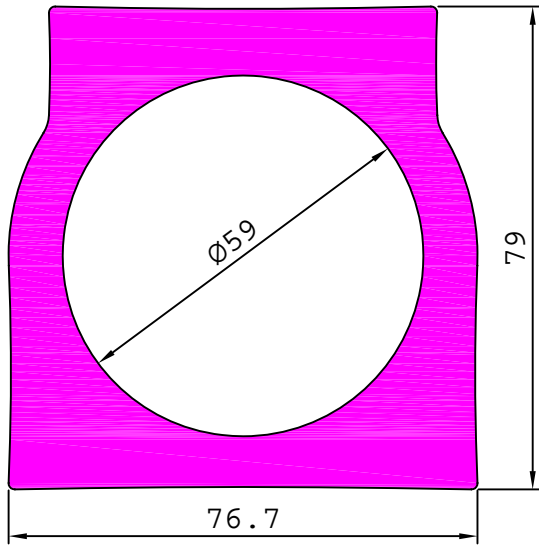
11.525 kg/m



PUMP BODY AND ACTUATOR BODY

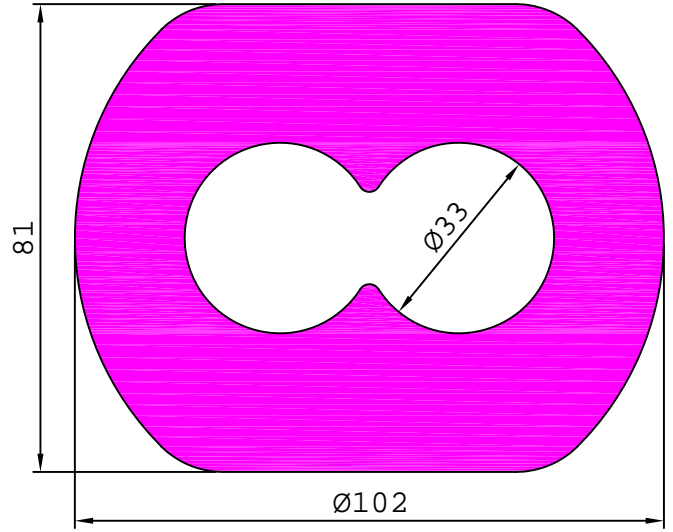
27022

7.885 kg/m



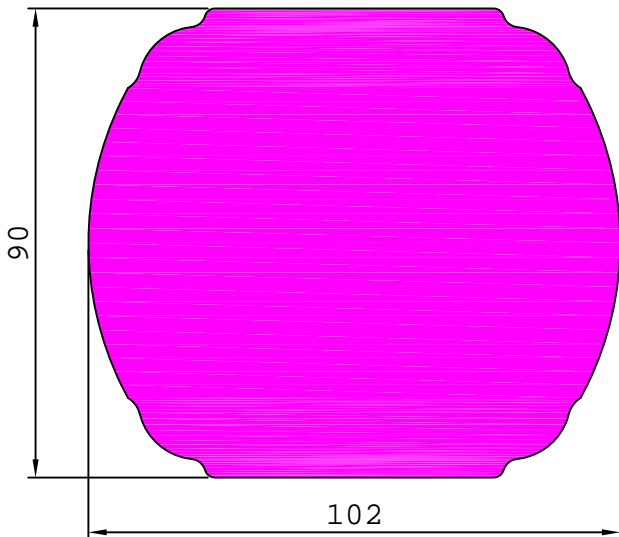
27024

15.030 kg/m



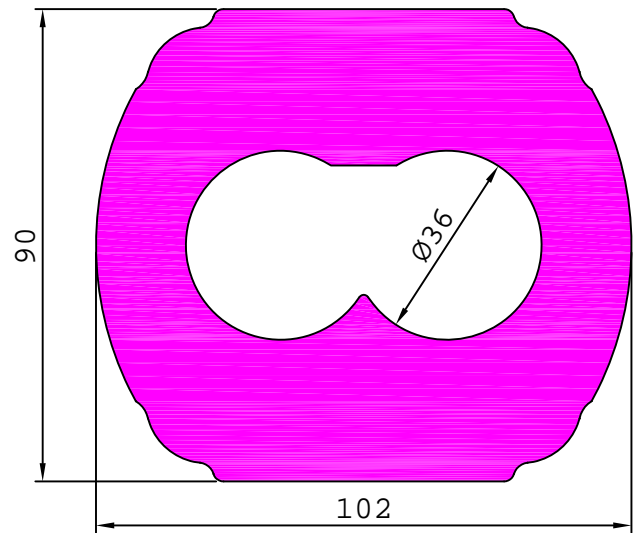
27028

21.660 kg/m



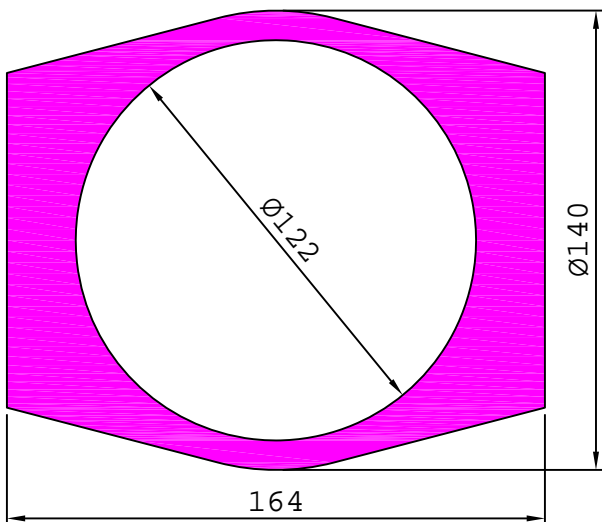
27029

16.201 kg/m



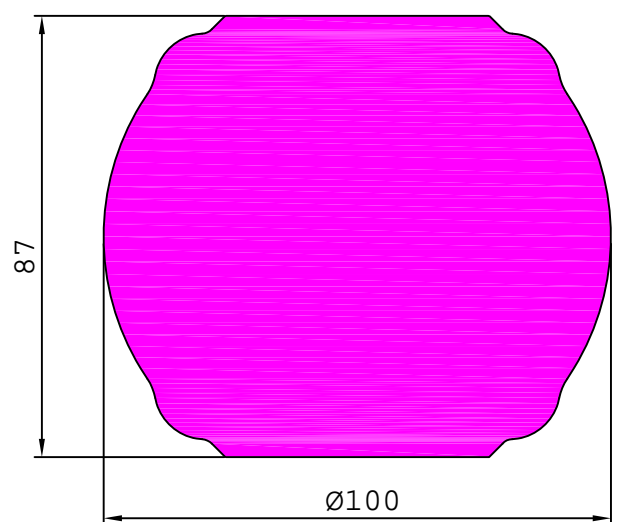
27035

22.898 kg/m



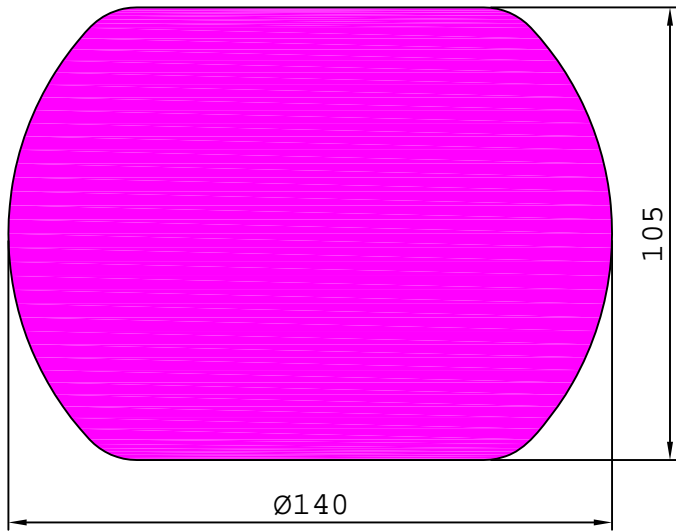
27036

20.311 kg/m

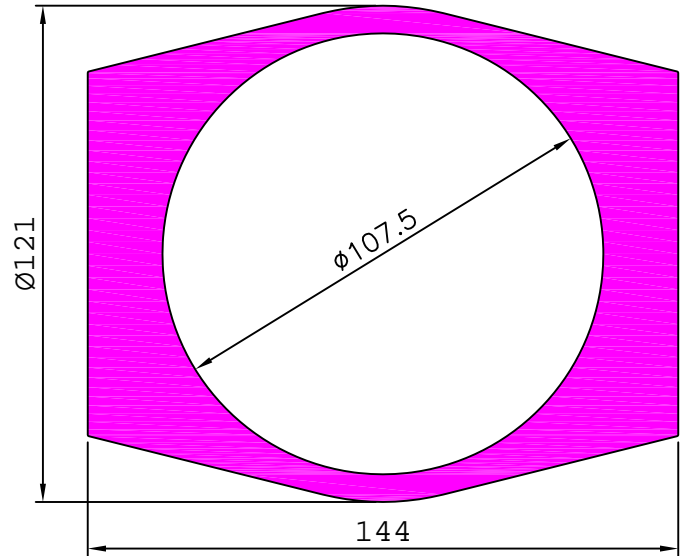


PUMP BODY AND ACTUATOR BODY

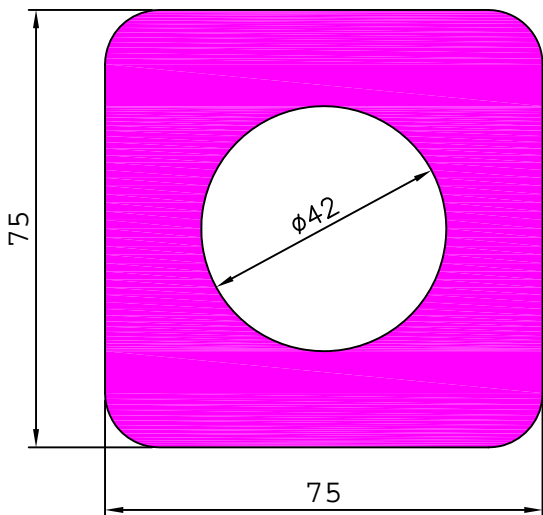
27037 35.514 kg/m



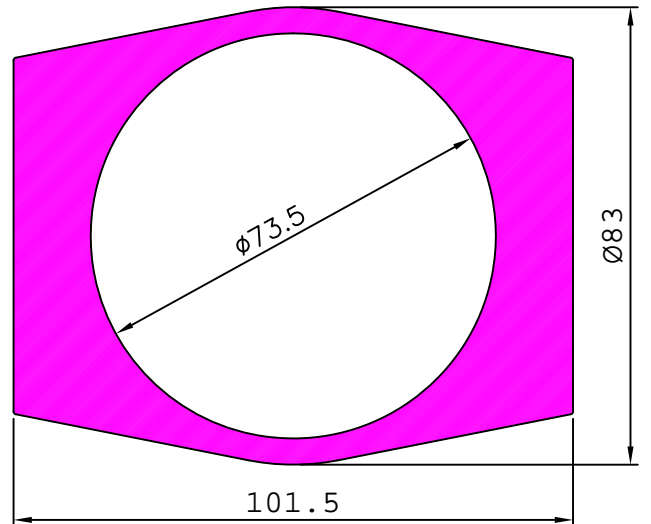
27039 16.904 kg/m



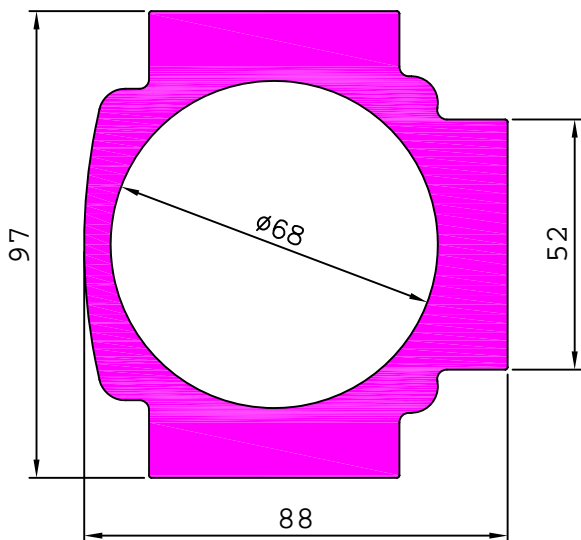
27041 11.246 kg/m



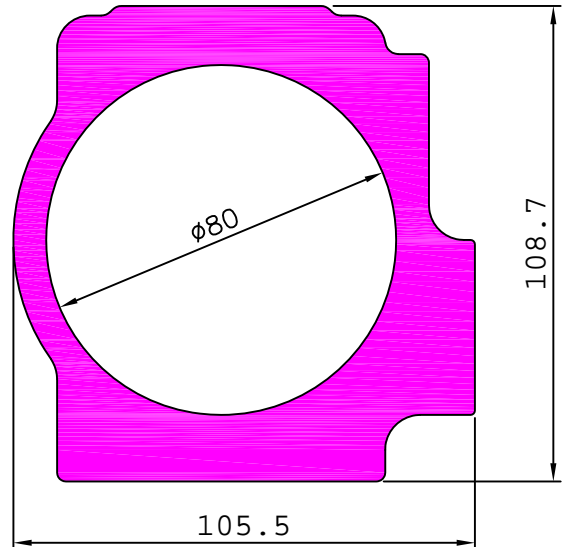
27043 8.956 kg/m



27045 9.431 kg/m



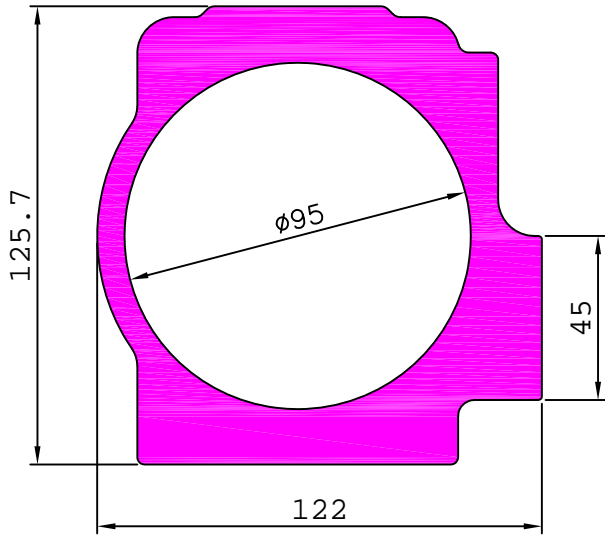
27046 12.740 kg/m



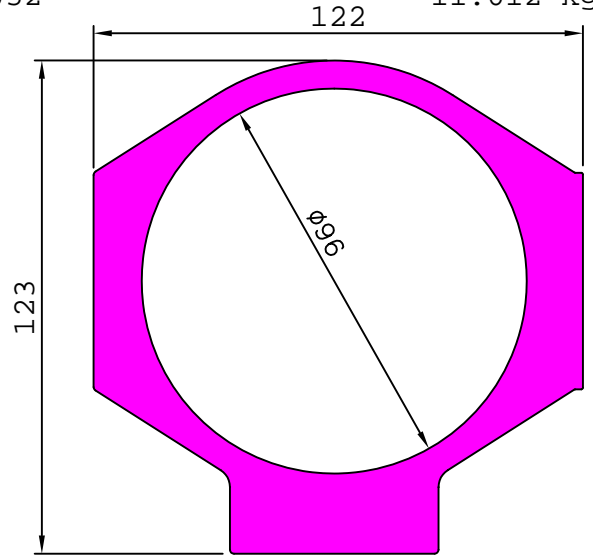


PUMP BODY AND ACTUATOR BODY

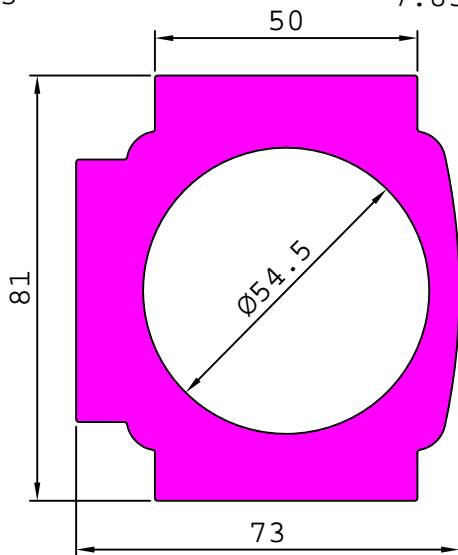
27047 16.016 kg/m



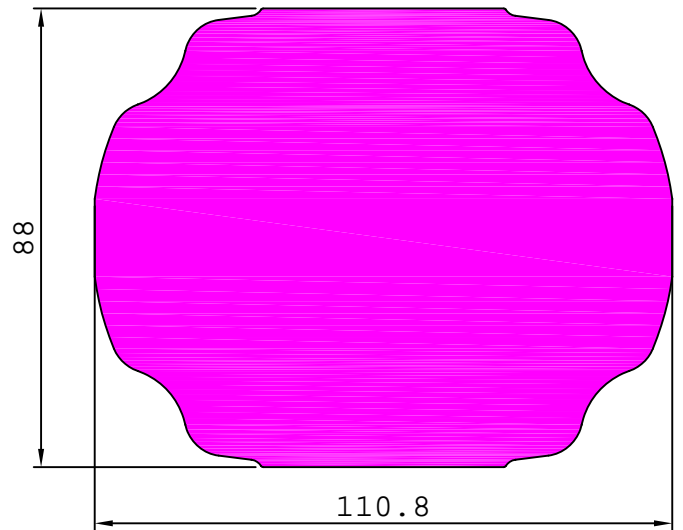
27052 11.612 kg/m



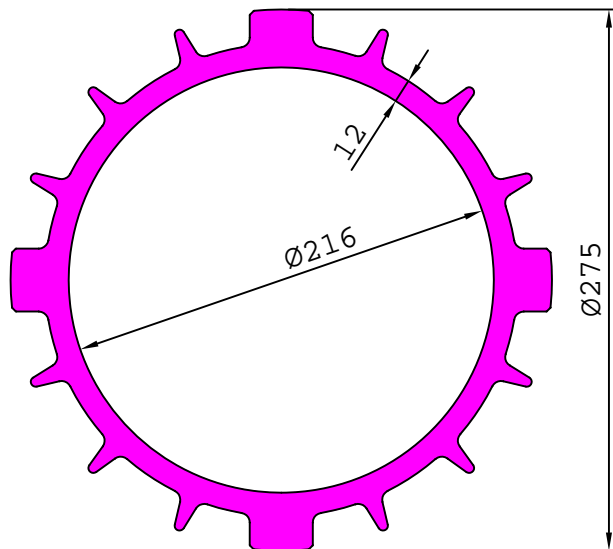
27053 7.856 kg/m



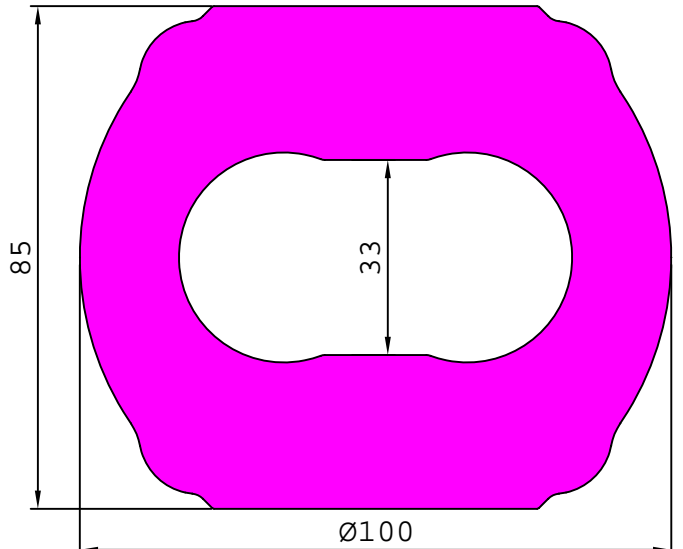
27054 22.303 kg/m



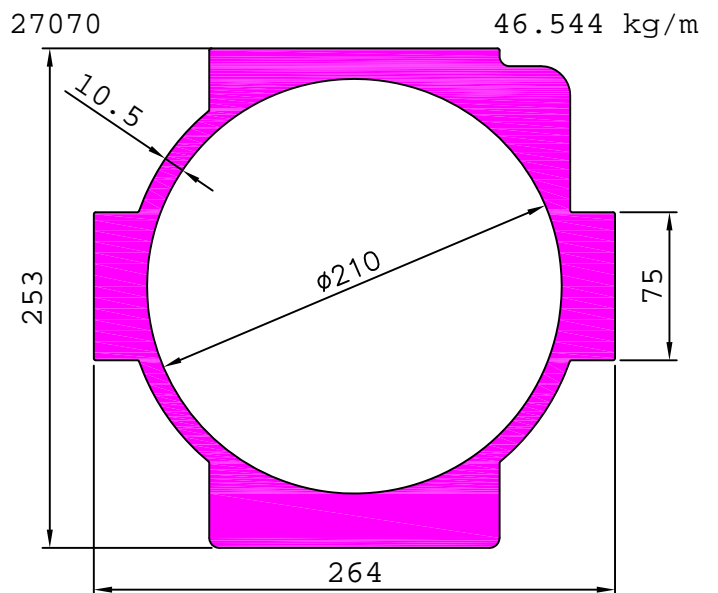
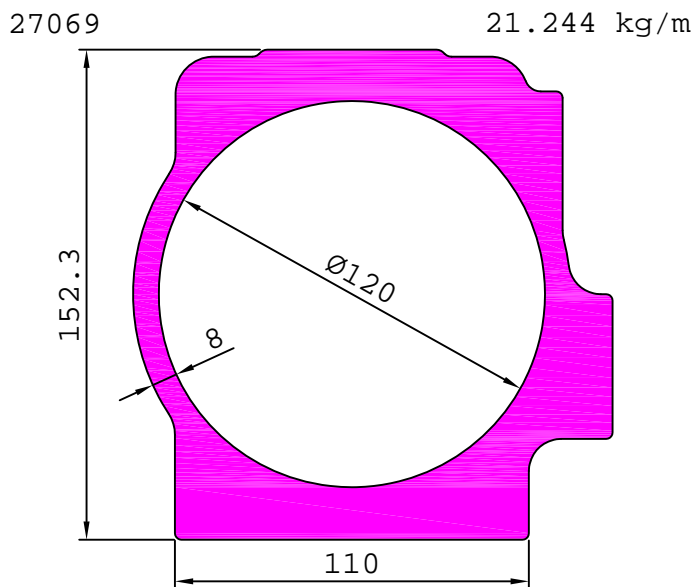
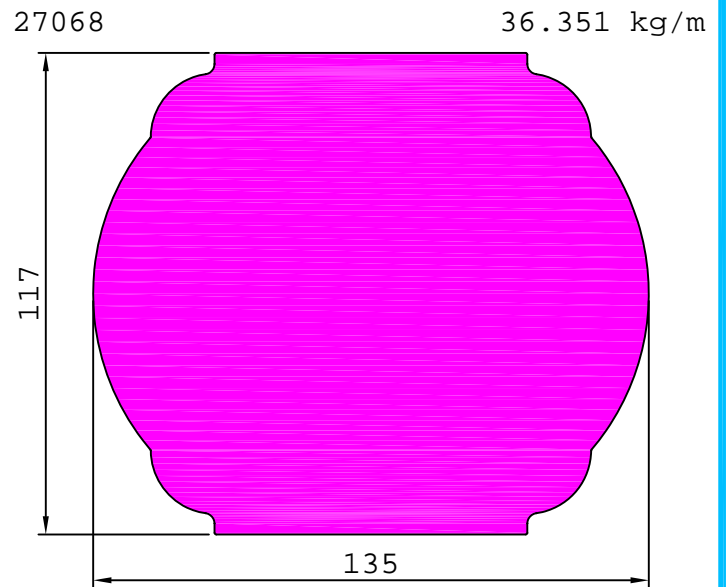
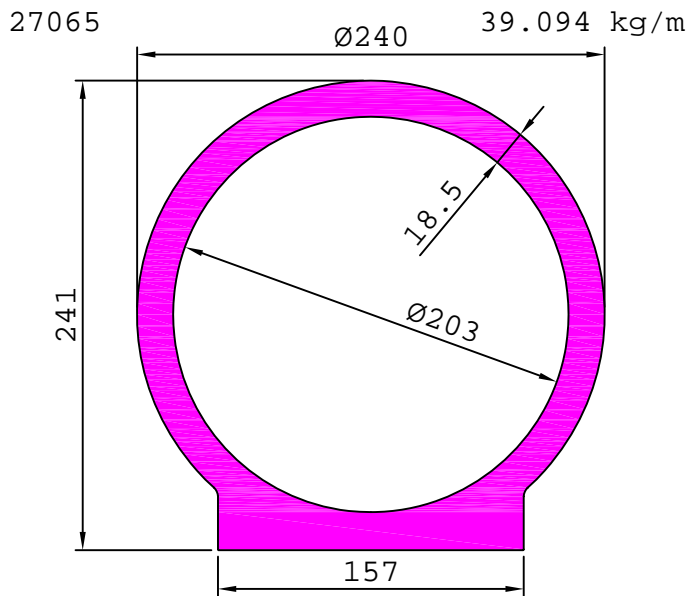
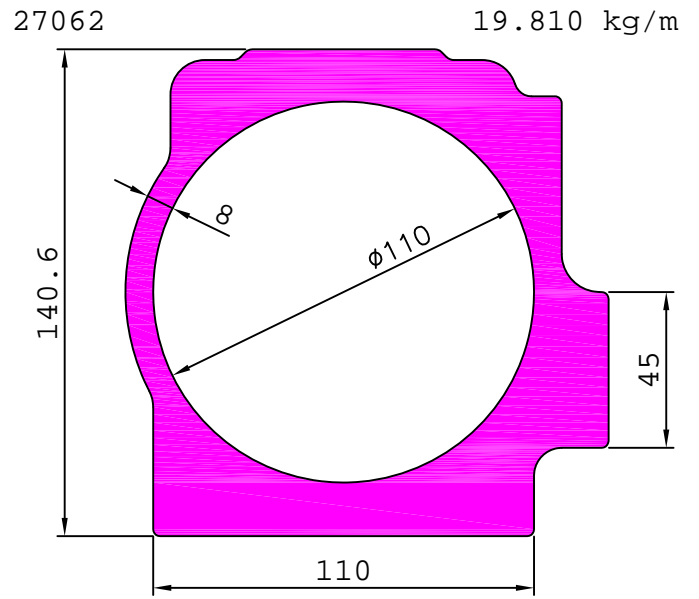
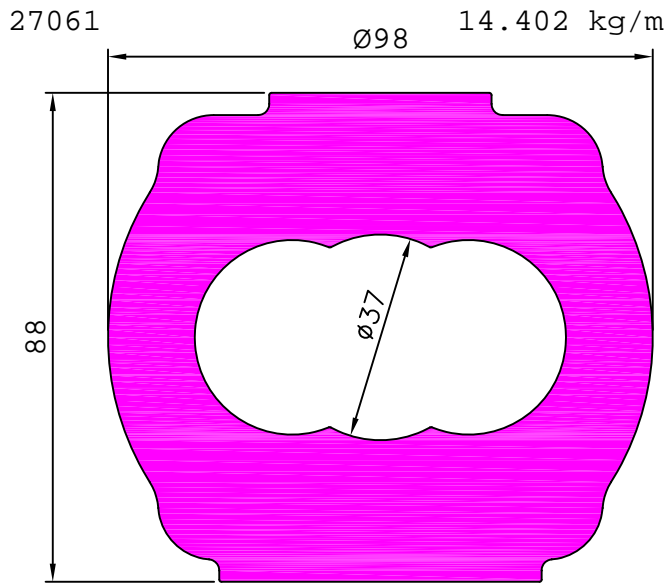
27057 33.495 kg/m



27058 14.519 kg/m



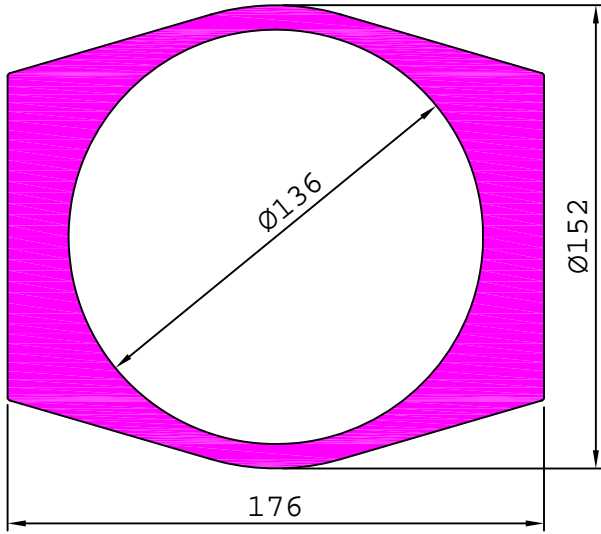
PUMP BODY AND ACTUATOR BODY



PUMP BODY AND ACTUATOR BODY

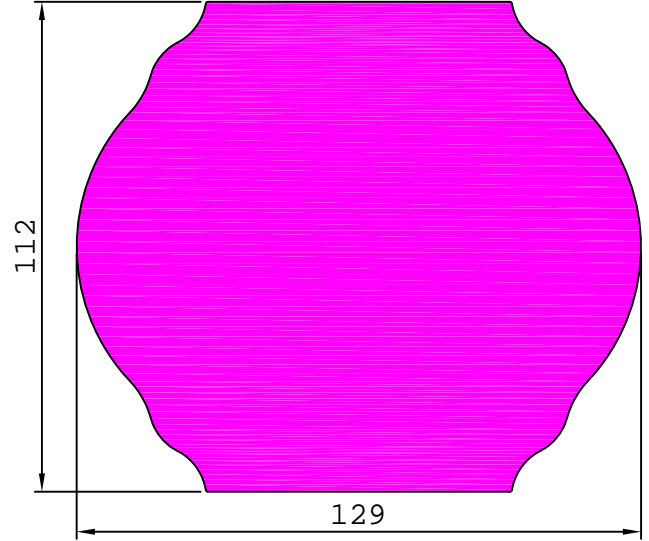
27071

23.574 kg/m



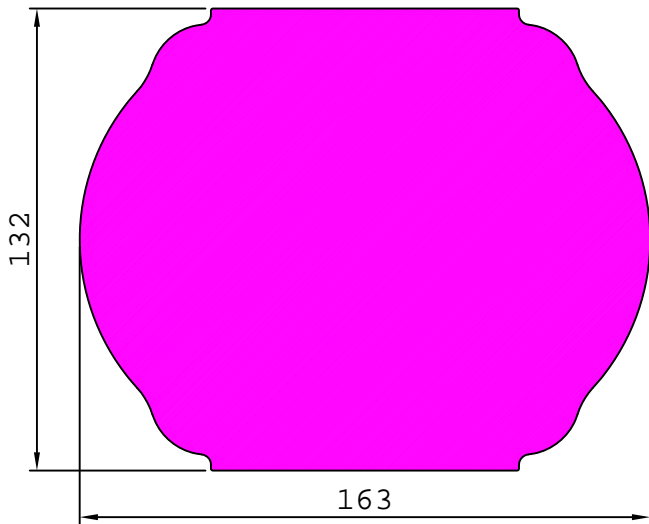
27072

32.065 kg/m



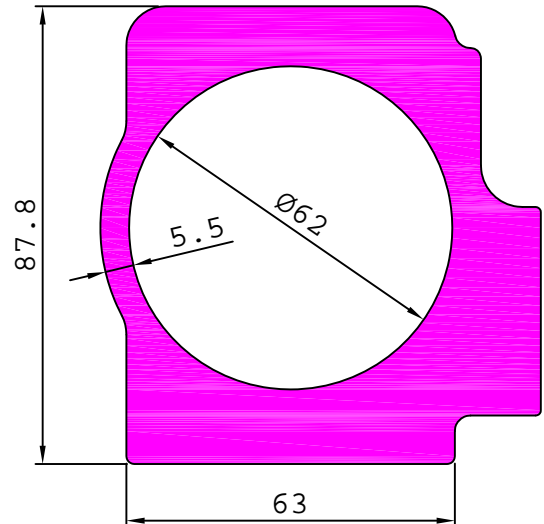
27074

49.276 kg/m



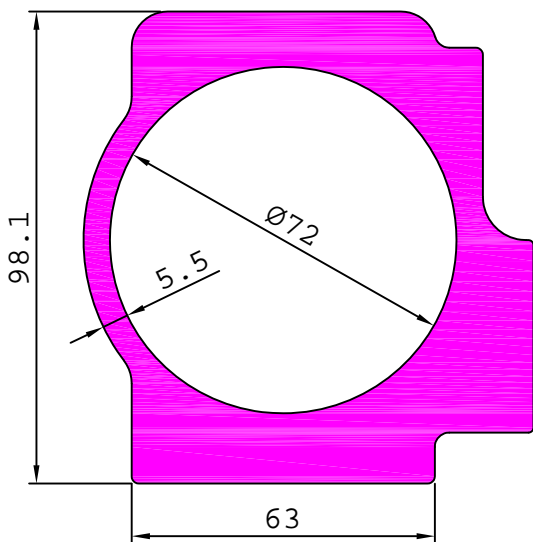
27075

9.297 kg/m



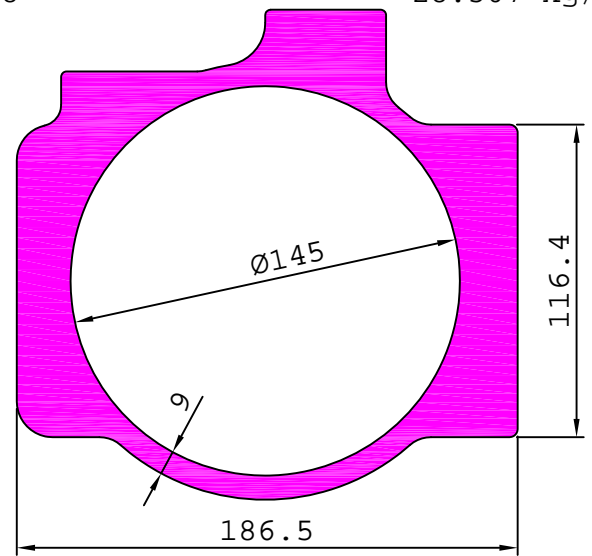
27076

9.985 kg/m



27078

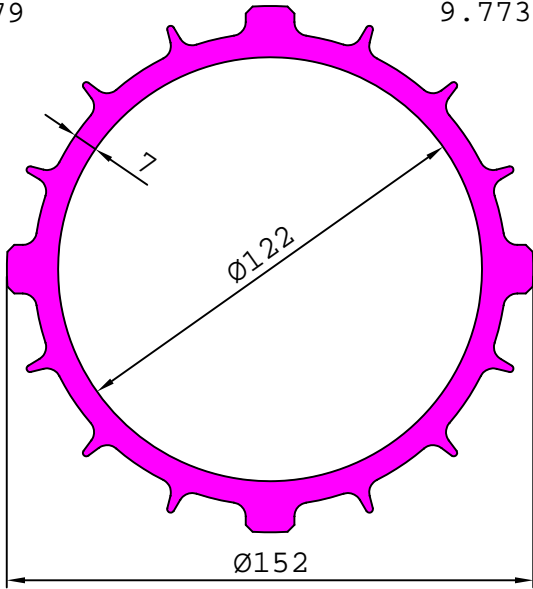
28.507 kg/m



PUMP BODY AND ACTUATOR BODY

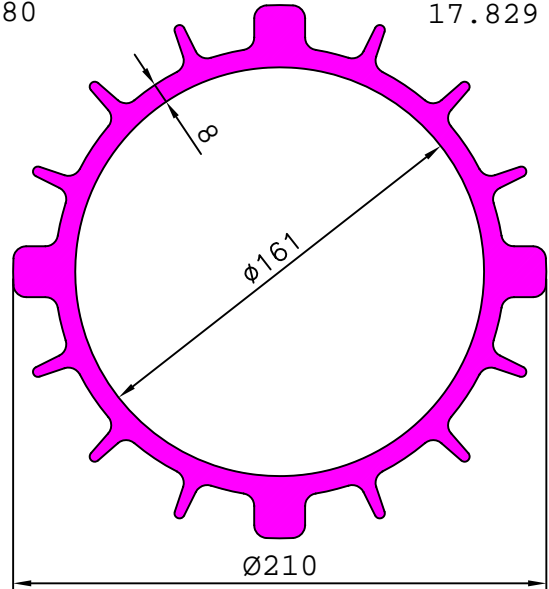
27079

9.773 kg/m



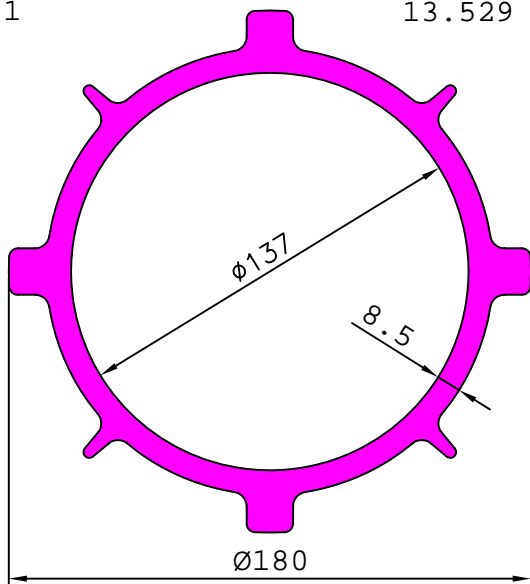
27080

17.829 kg/m



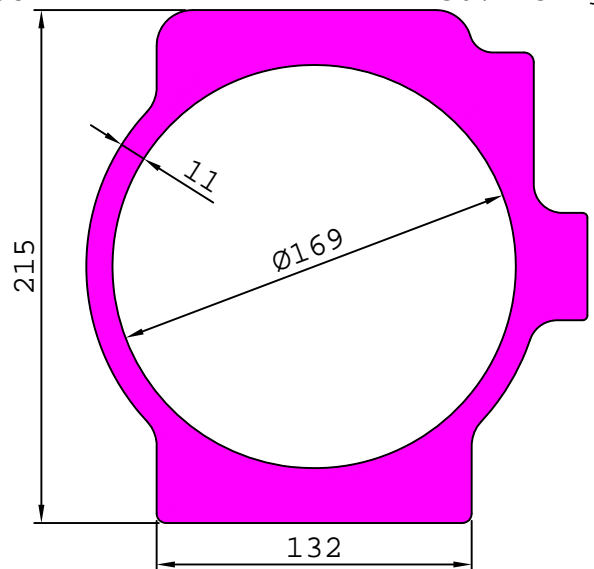
27081

13.529 kg/m



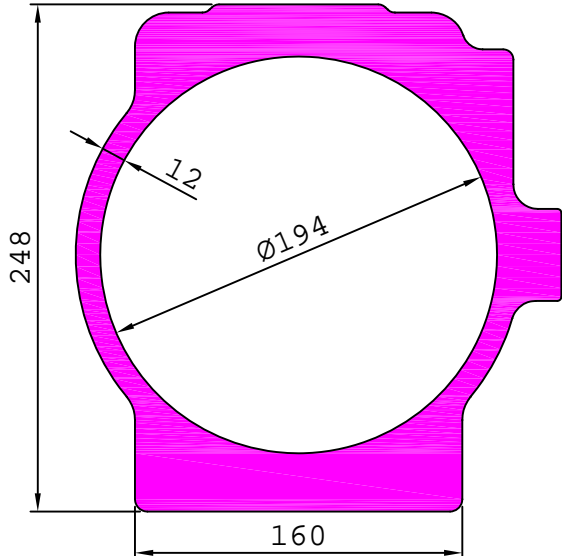
27082

36.225 kg/m



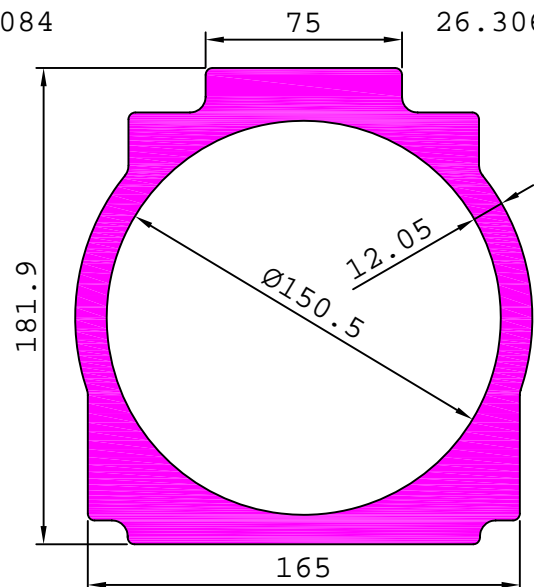
27083

47.807 kg/m



27084

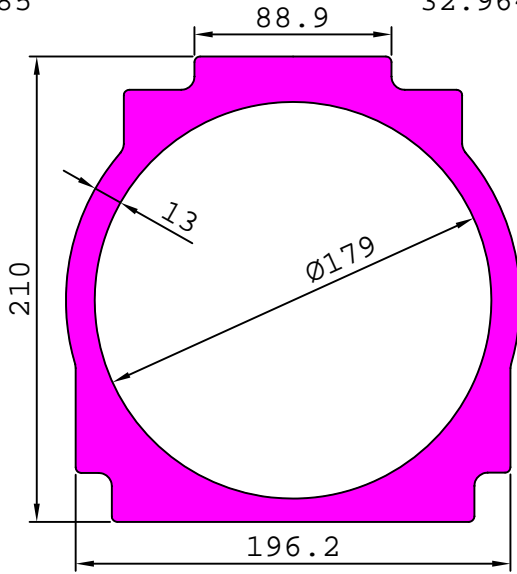
26.306 kg/m



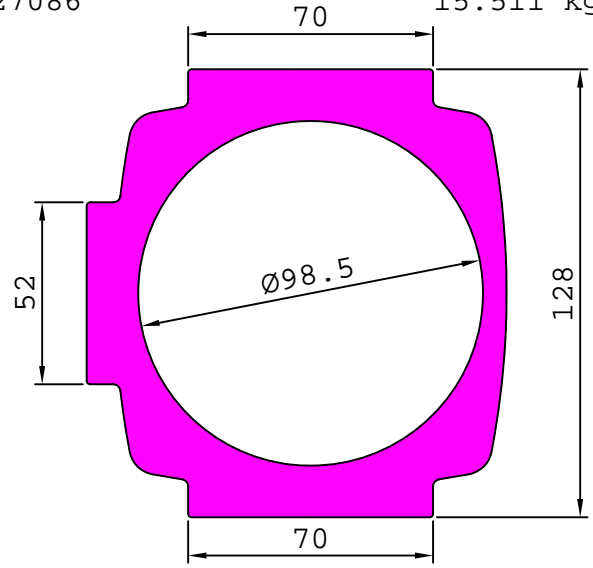


PUMP BODY AND ACTUATOR BODY

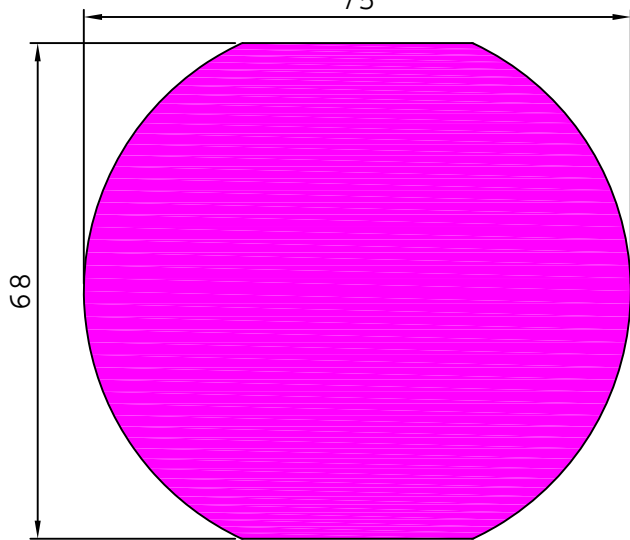
27085 88.9 32.964 kg/m



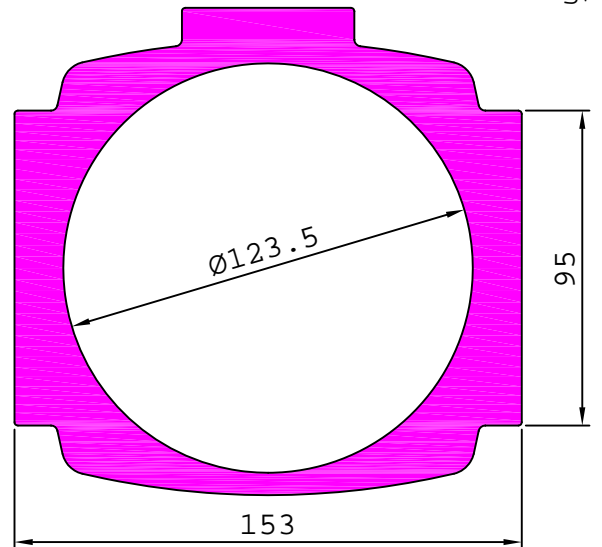
27086 70 15.511 kg/m



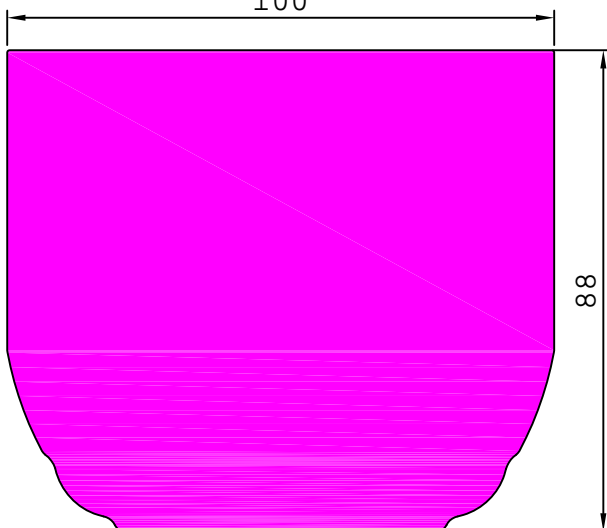
27088 75 11.526 kg/m



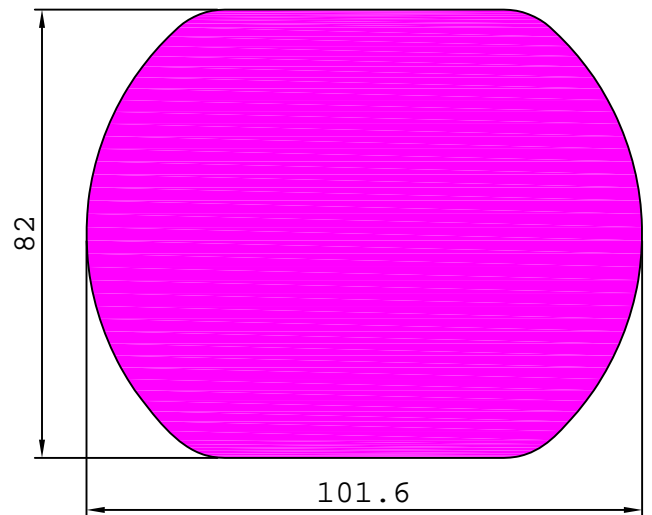
27089 20.691 kg/m



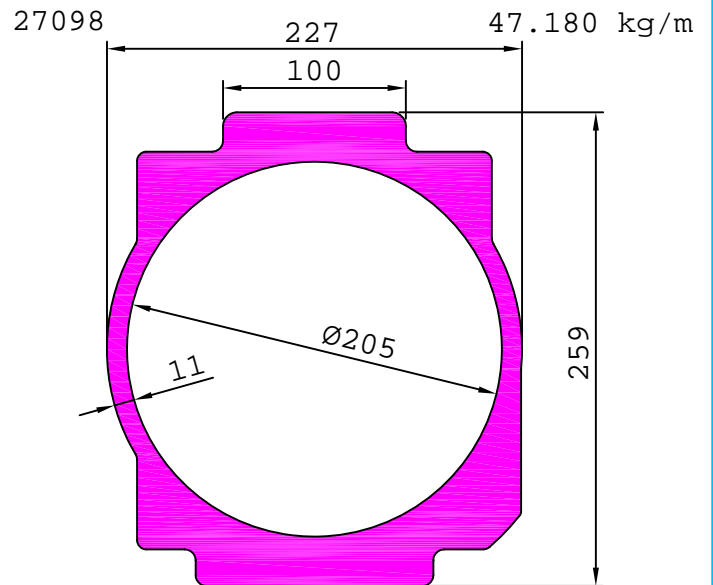
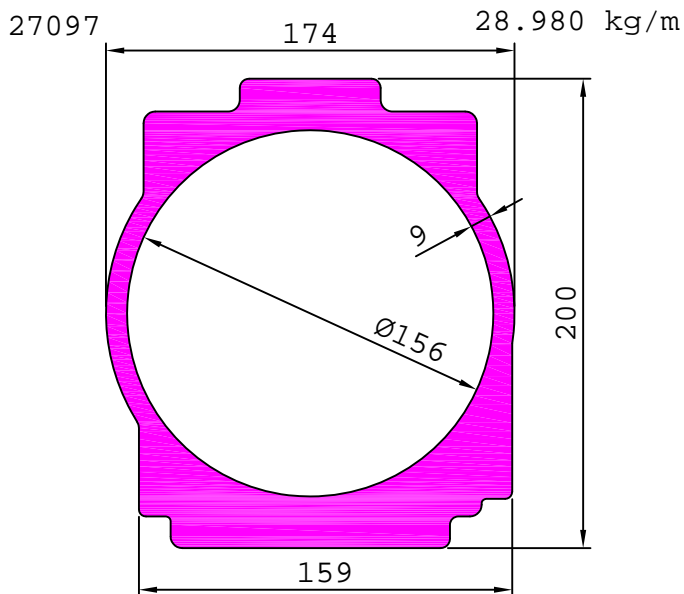
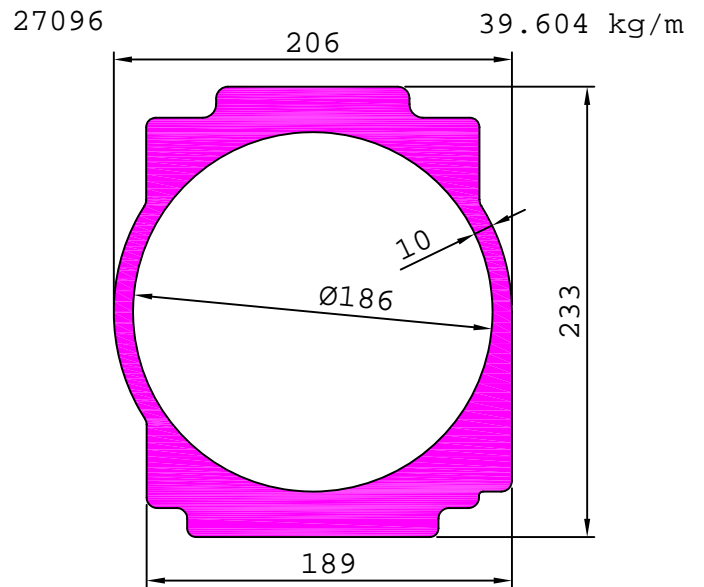
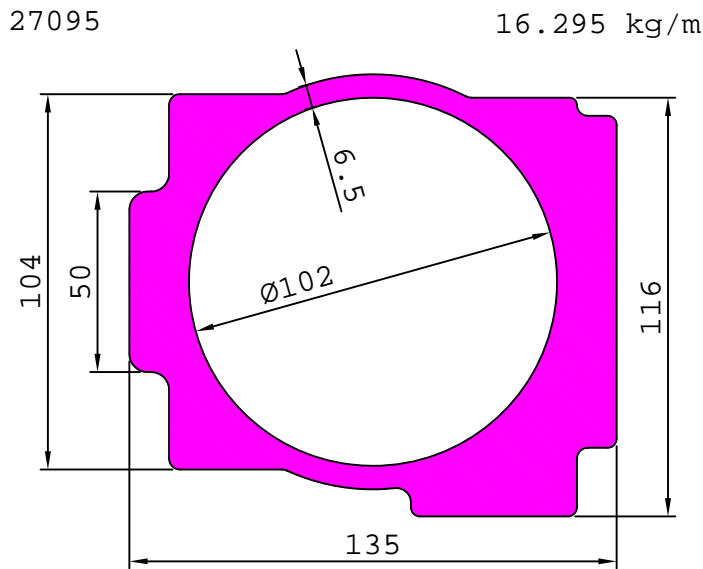
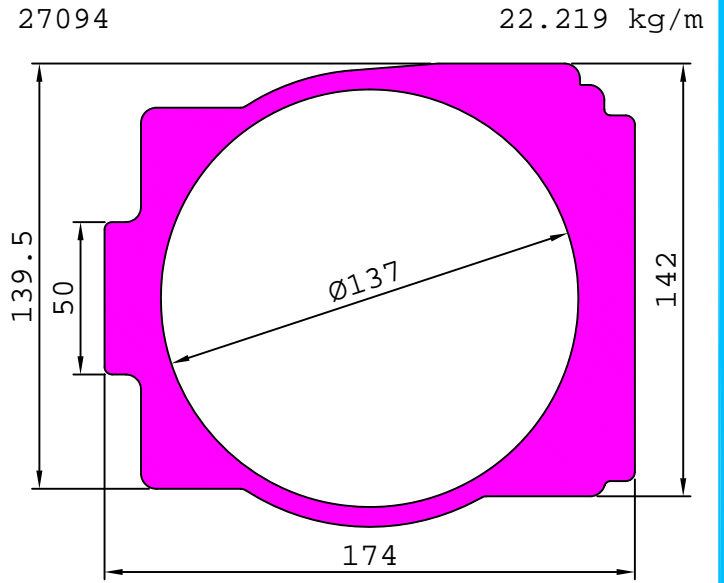
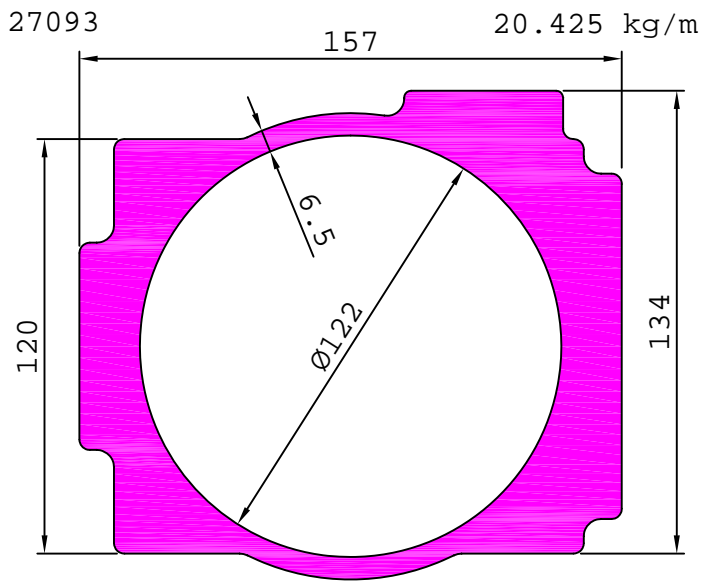
27091 100 22.536 kg/m



27092 19.703 kg/m



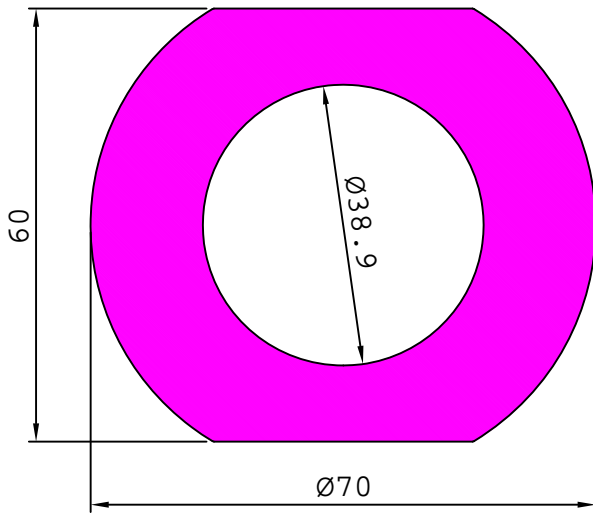
PUMP BODY AND ACTUATOR BODY



PUMP BODY AND ACTUATOR BODY

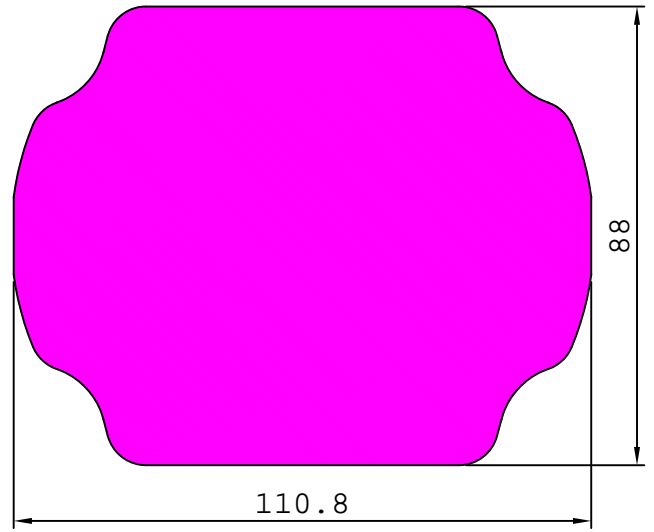
27099

6.523 kg/m



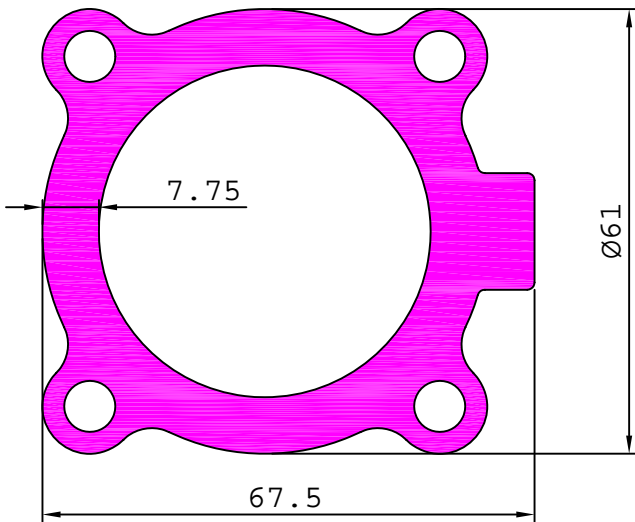
27100

22.548 kg/m



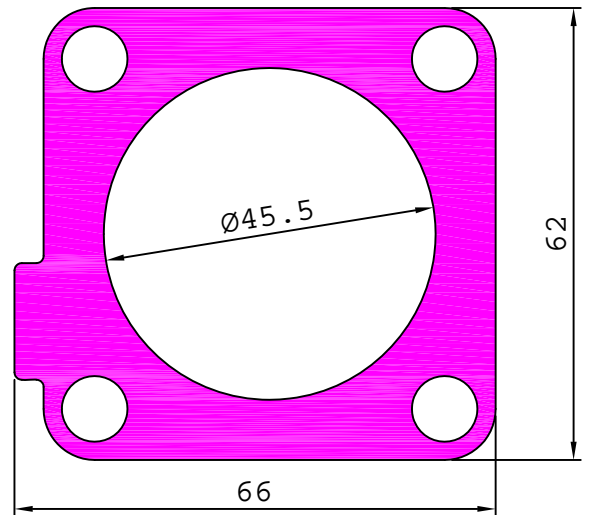
27101

4.680 kg/m



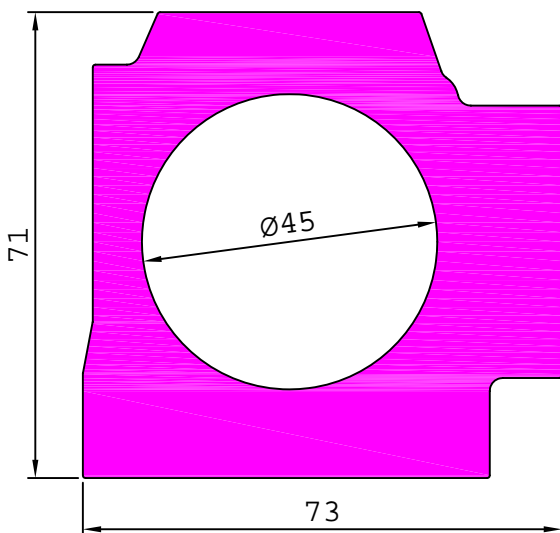
27102

5.361 kg/m



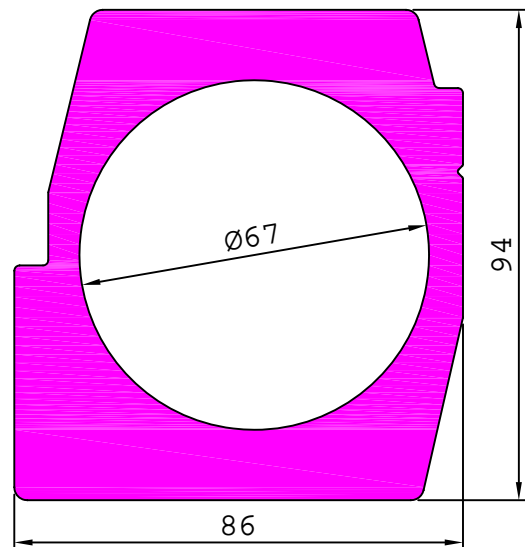
27103

8.147 kg/m



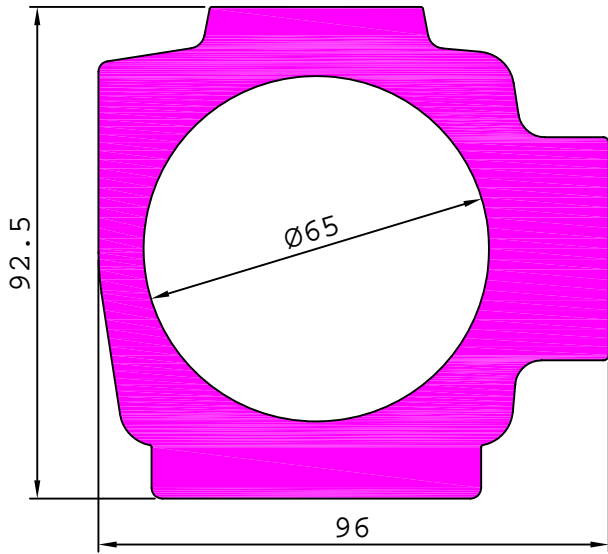
27104

10.366 kg/m

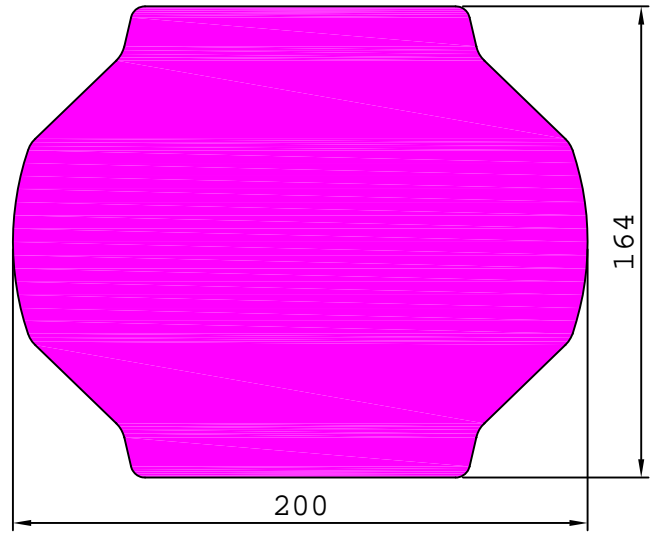


PUMP BODY AND ACTUATOR BODY

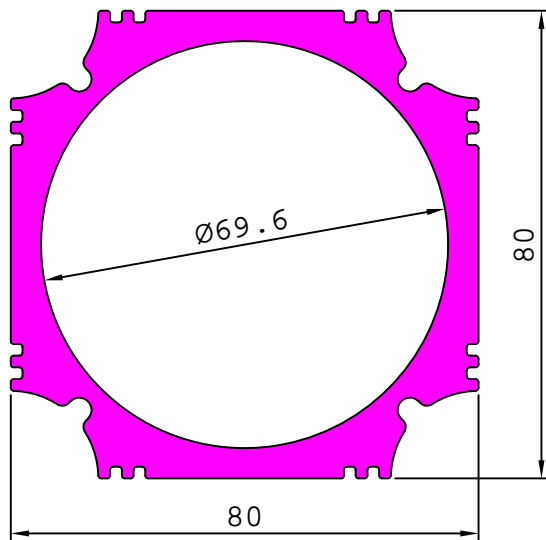
27105 11.050 kg/m



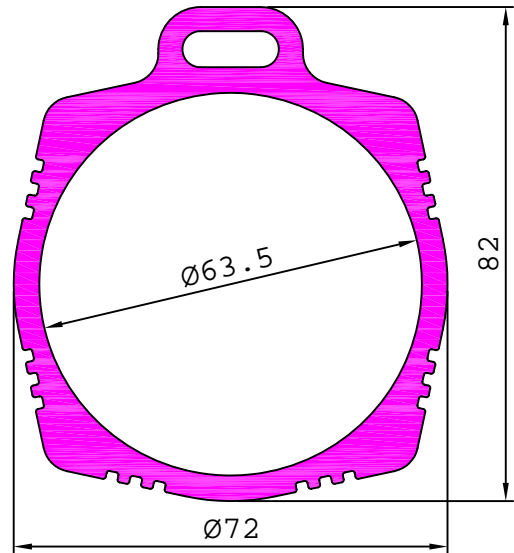
27106 73.151 kg/m



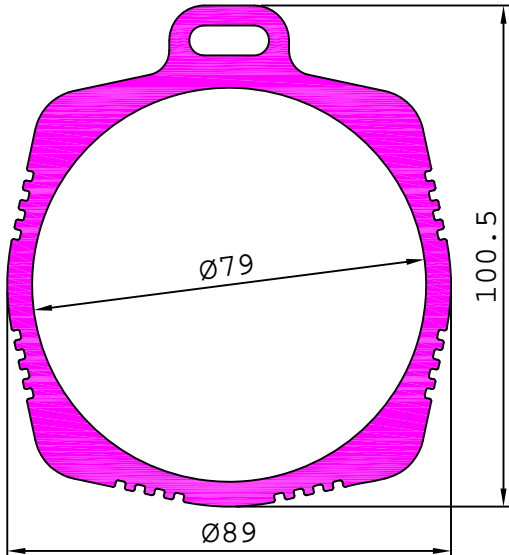
27107 4.770 kg/m



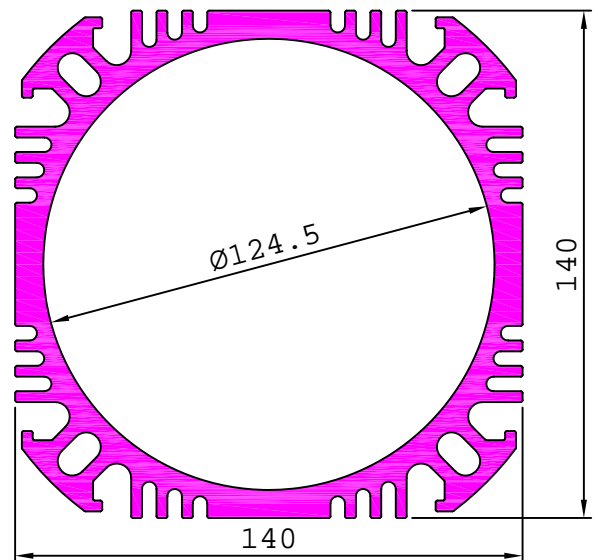
27108 3.717 kg/m



27109 5.362 kg/m



27110 12.123 kg/m



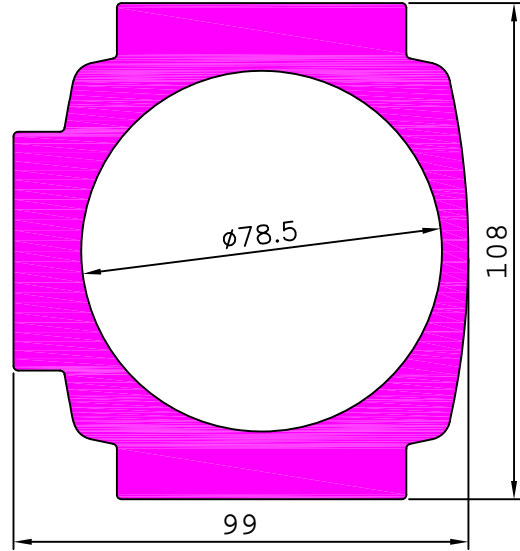
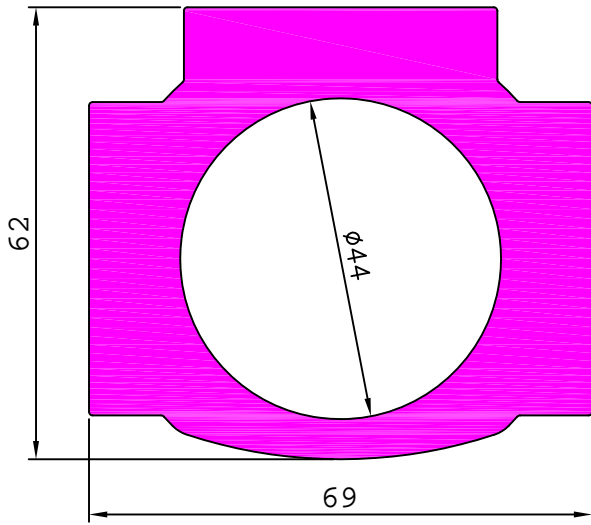
PUMP BODY AND ACTUATOR BODY

27111

6.022 kg/m

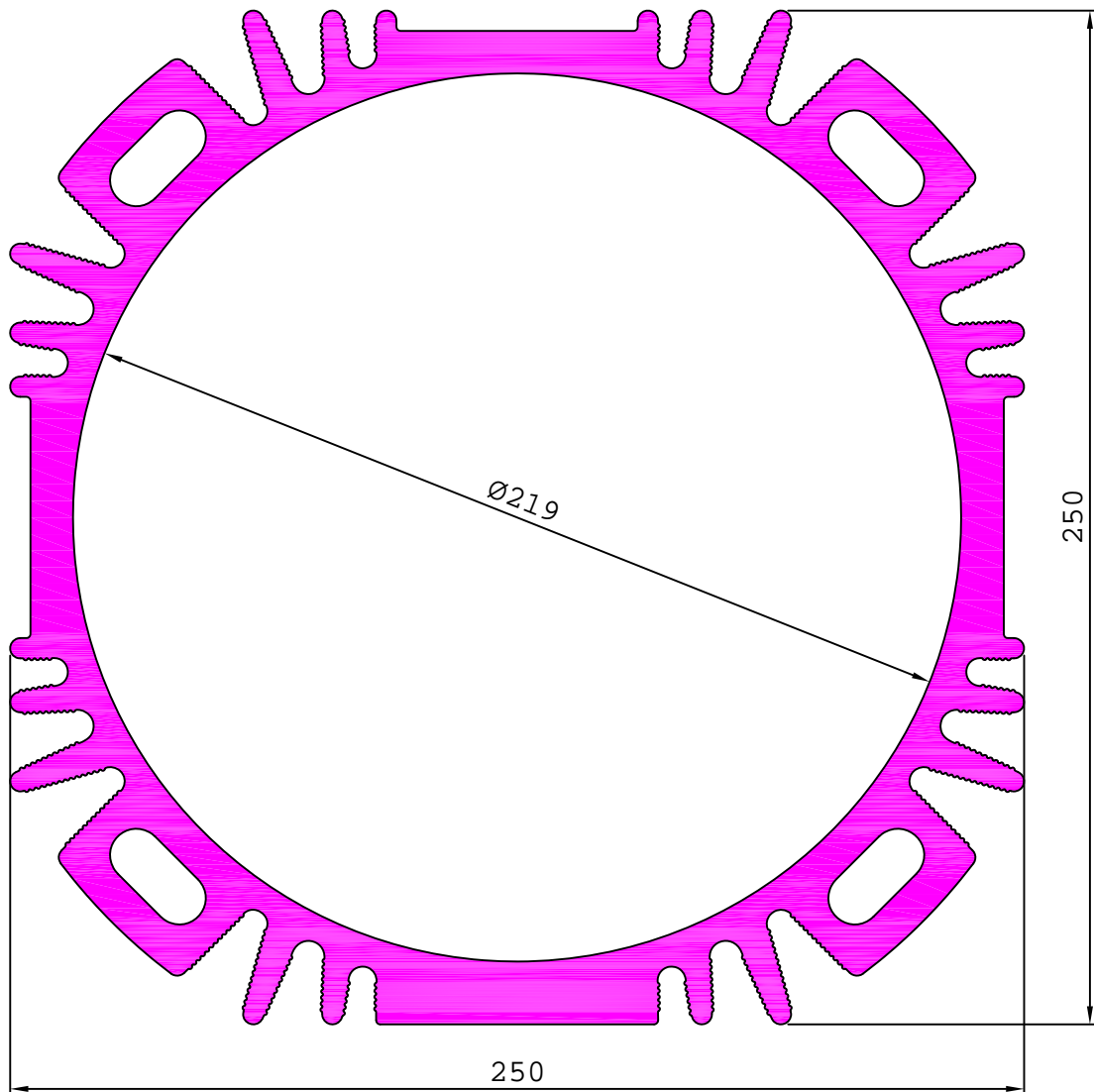
27112

11.910 kg/m



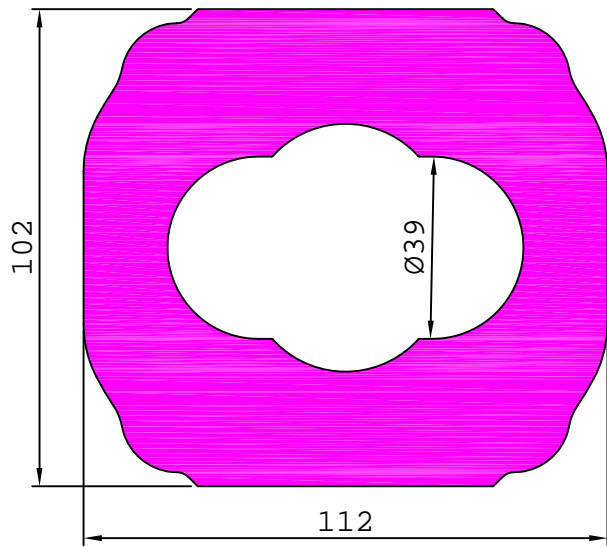
27115

32.875 kg/m

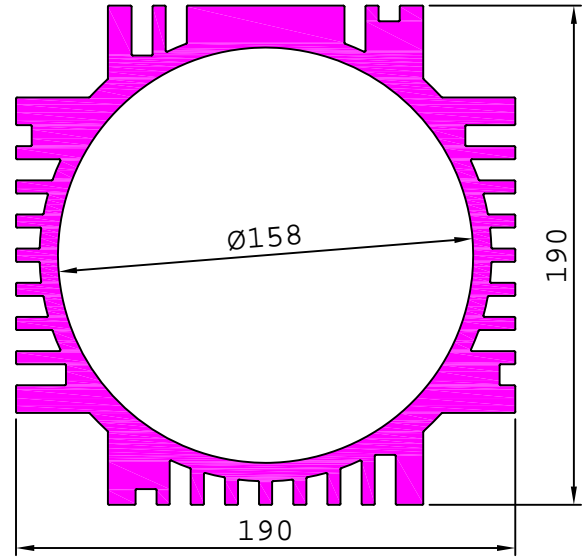


PUMP BODY AND ACTUATOR BODY

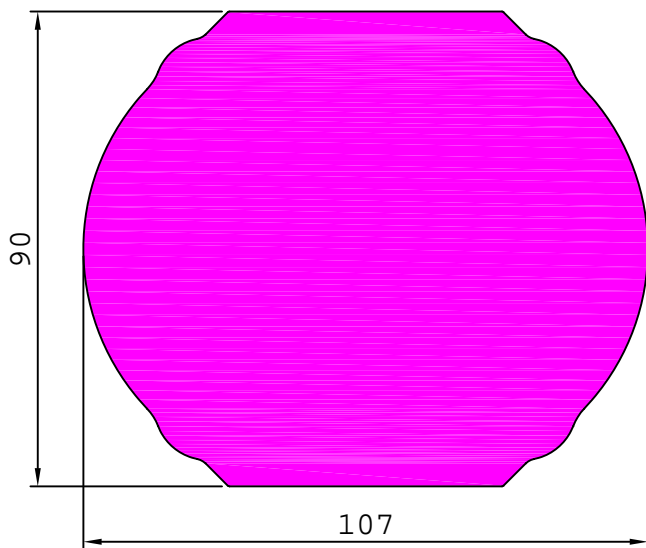
27114 20.211 kg/m



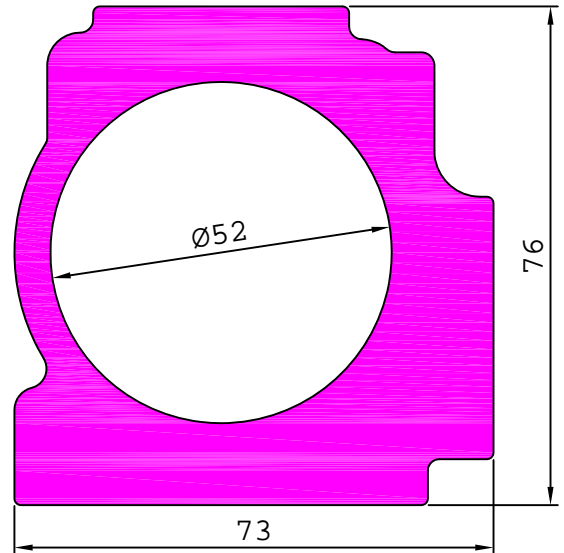
27116 24.069 kg/m



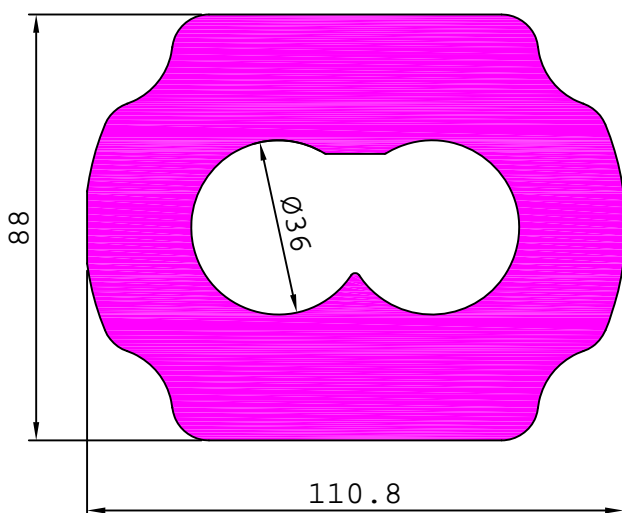
27117 21.785 kg/m



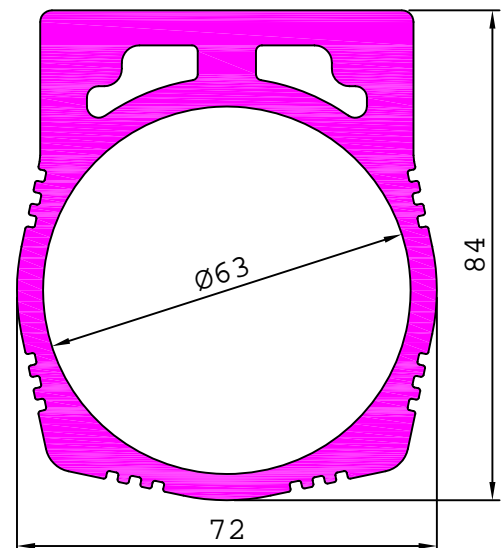
27118 7.598 kg/m



27119 17.105 kg/m



27120 5.335 kg/m

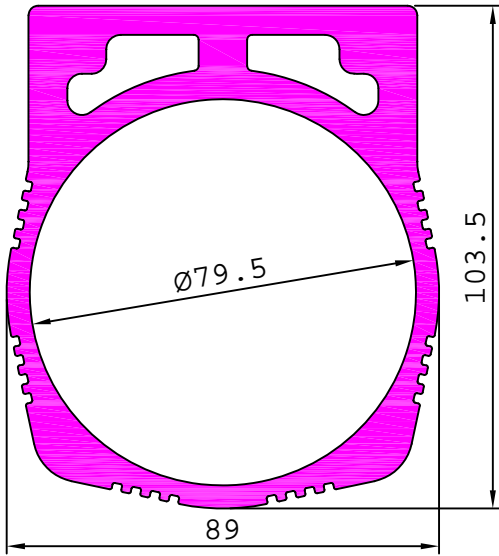




PUMP BODY AND ACTUATOR BODY

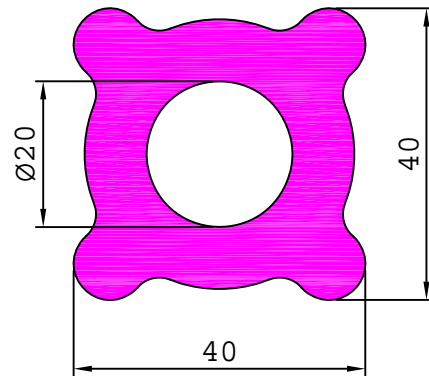
27121

7.342 kg/m



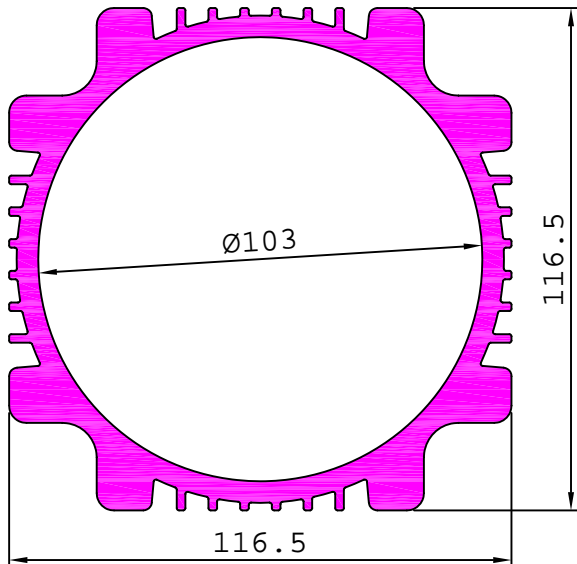
27122

2.825 kg/m



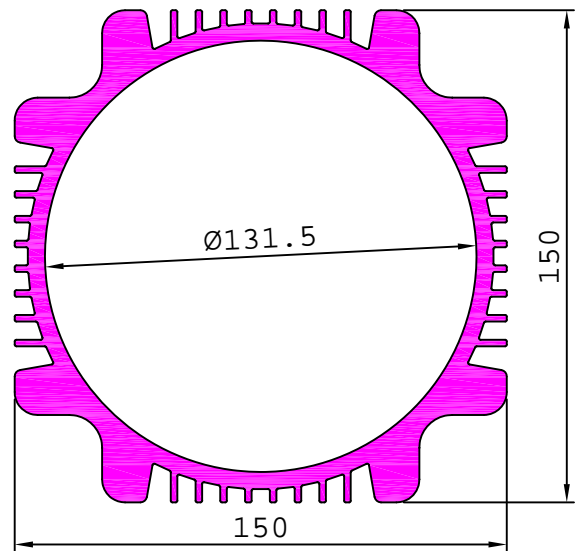
27123

8.201 kg/m



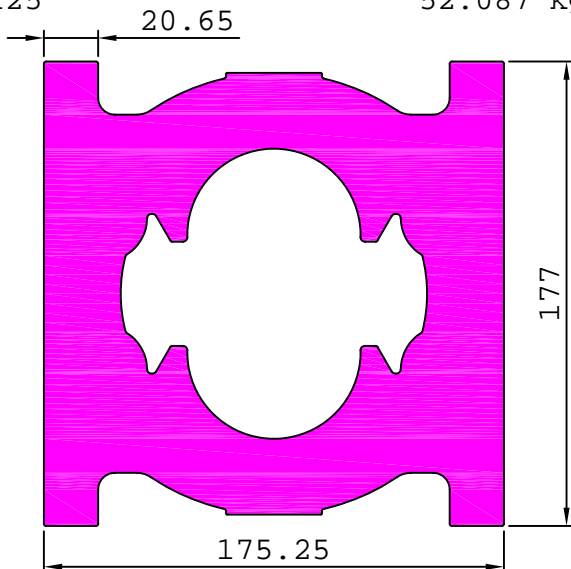
27124

12.498 kg/m



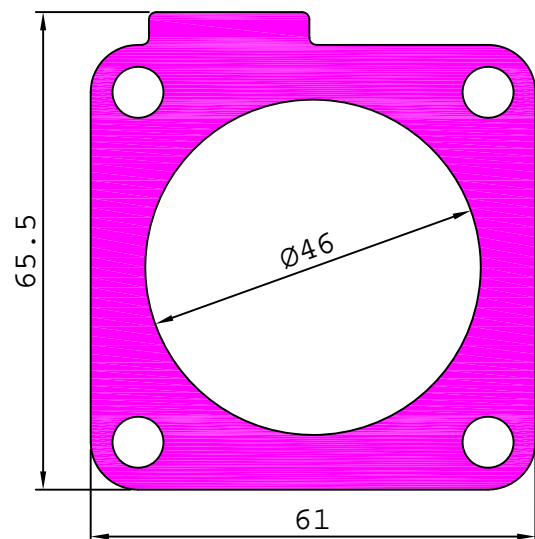
27125

52.087 kg/m



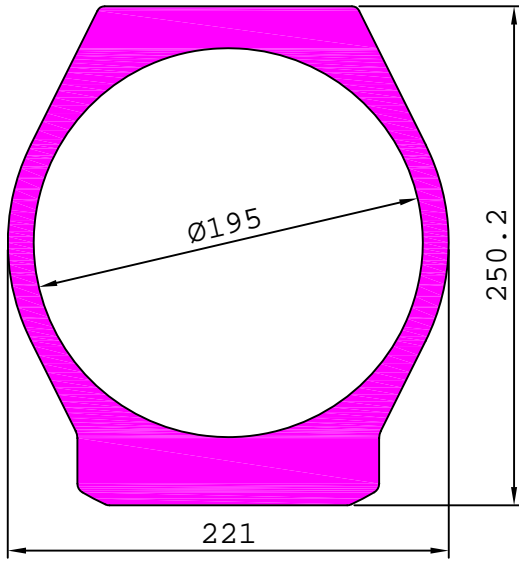
27126

5.313 kg/m

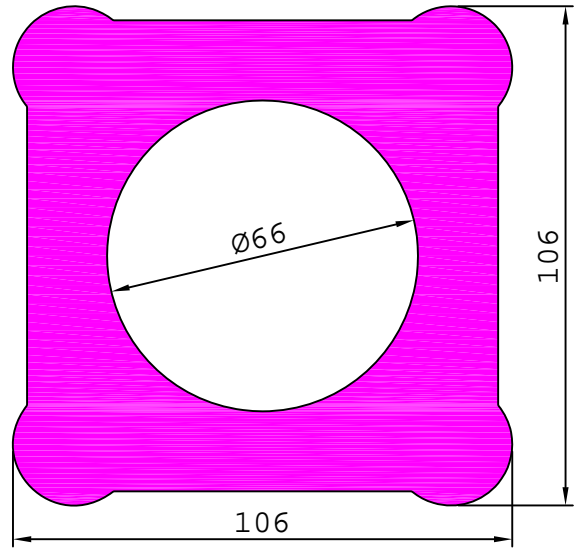


PUMP BODY AND ACTUATOR BODY

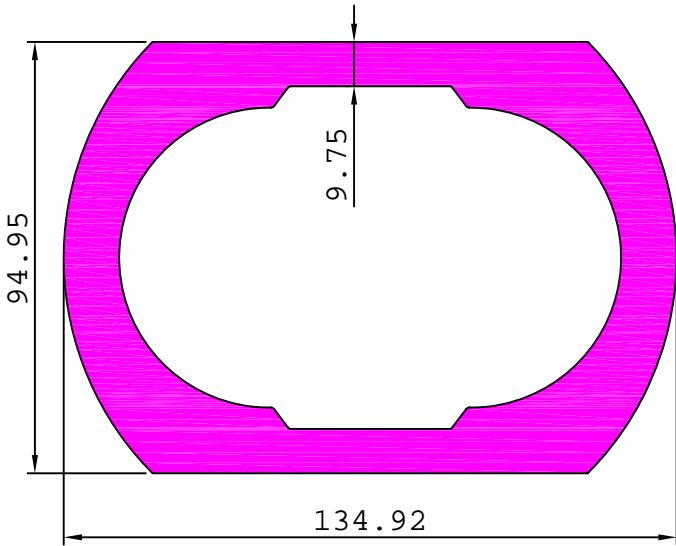
27127 42.990 kg/m



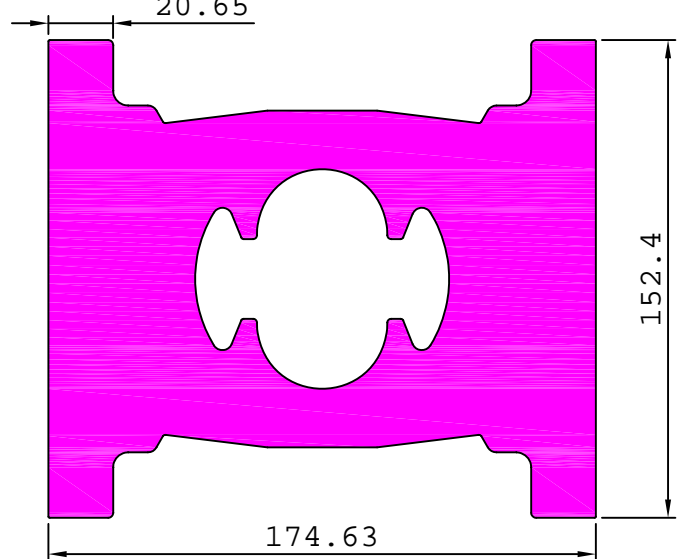
27128 18.484 kg/m



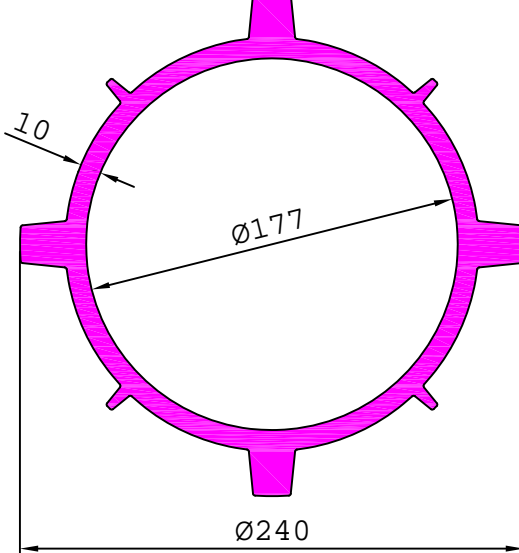
27129 13.298 kg/m



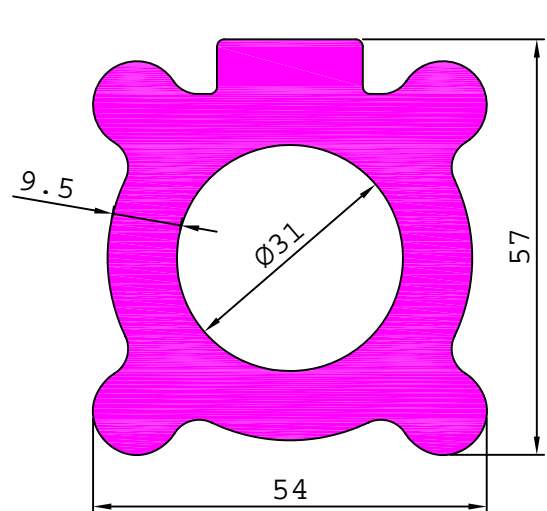
27130 44.749 kg/m



27131 21.131 kg/m



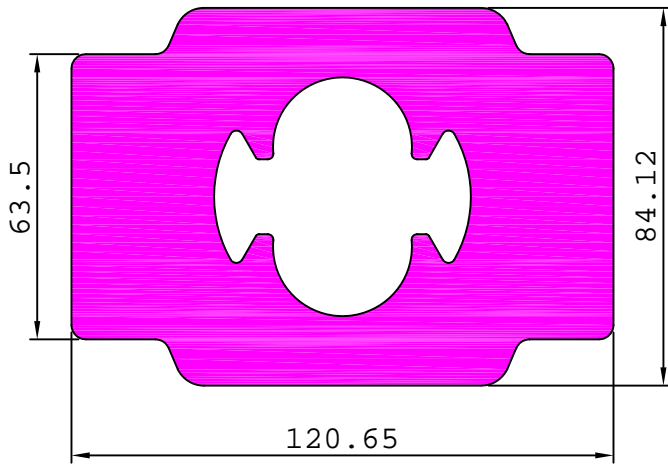
27132 4.835 kg/m



PUMP BODY AND ACTUATOR BODY

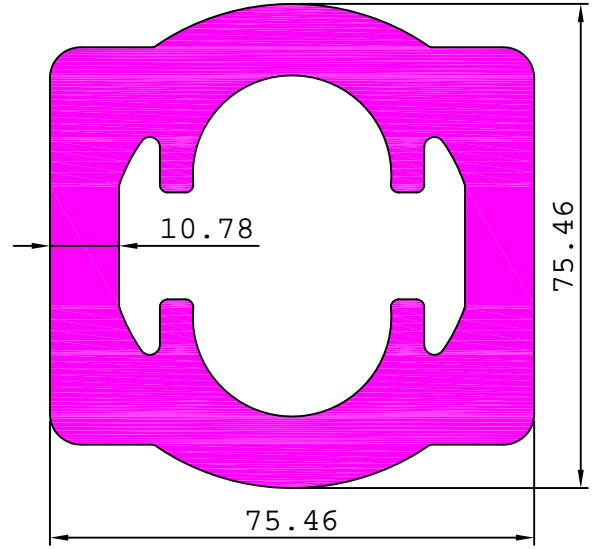
27133

19.408 kg/m



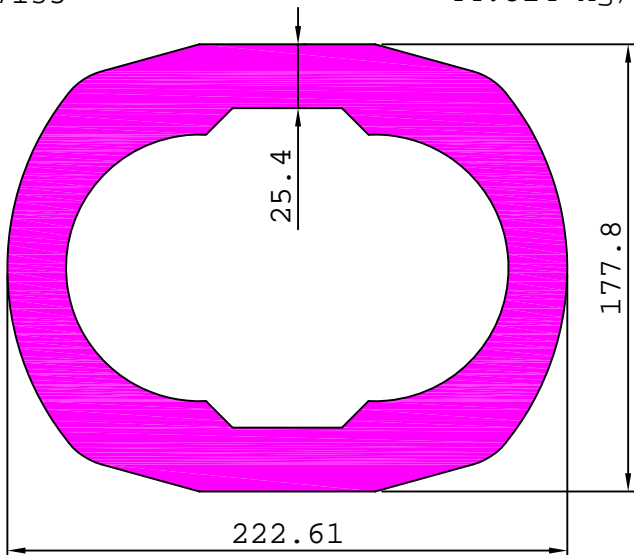
27134

8.266 kg/m



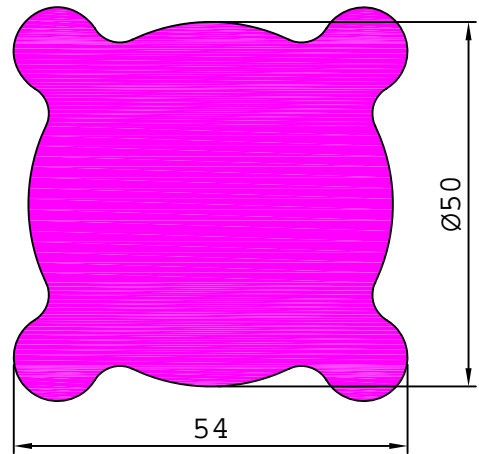
27135

44.814 kg/m



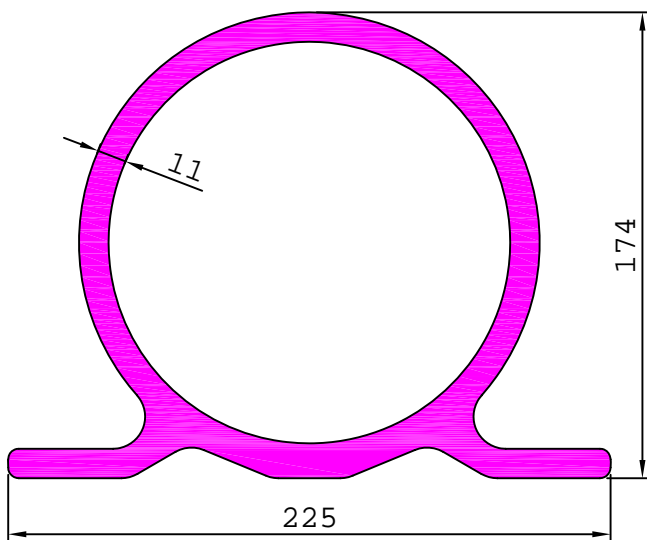
27136

6.562 kg/m



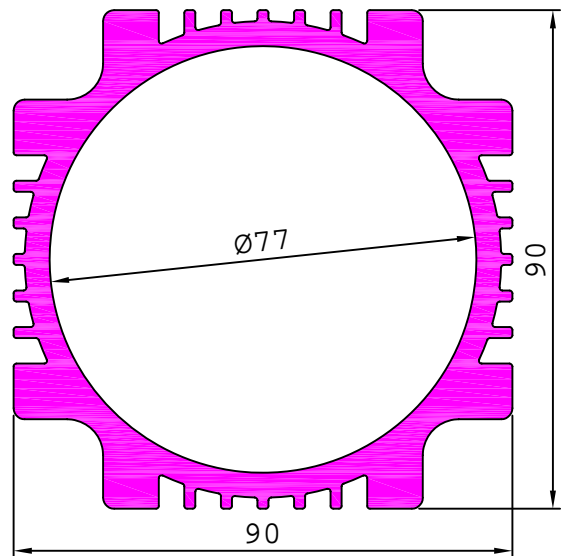
28333

19.704 kg/m



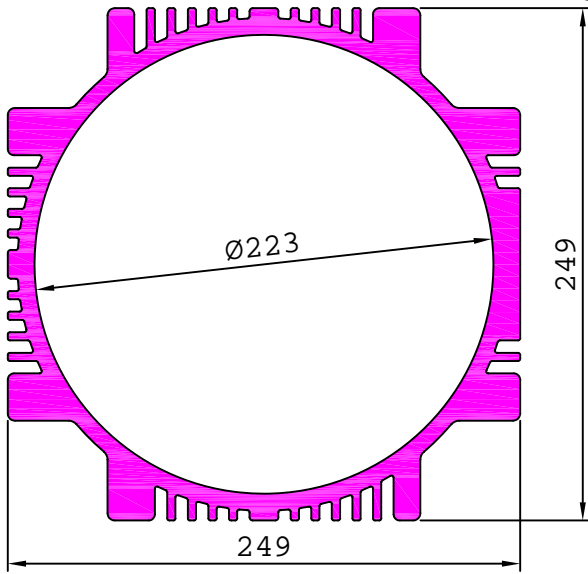
27279

5.504 kg/m

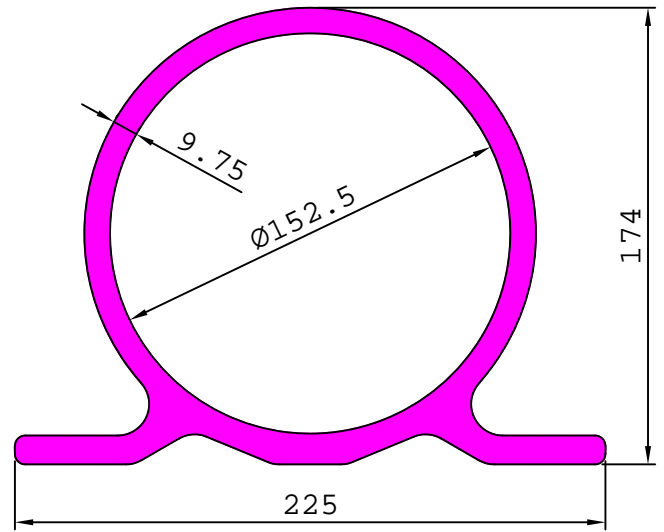


PUMP BODY AND ACTUATOR BODY

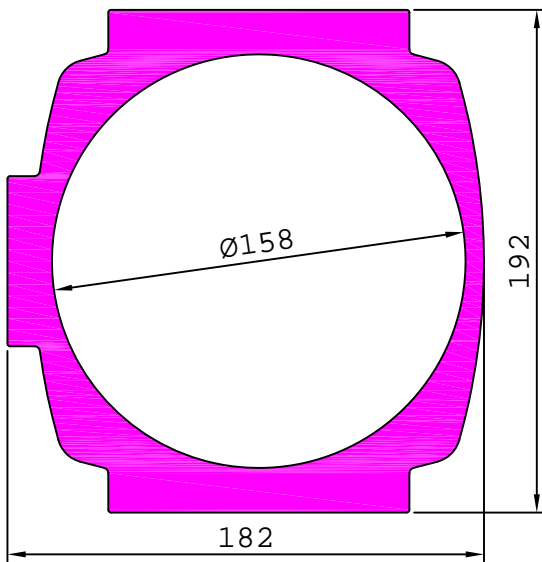
S4230 31.864 kg/m



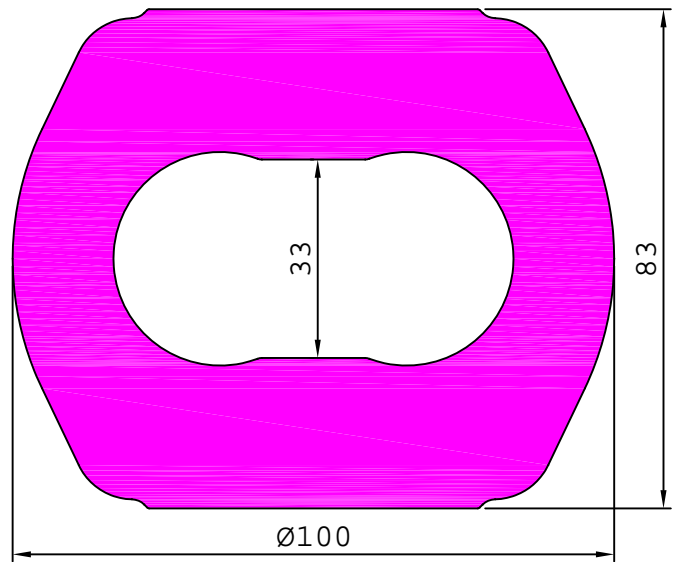
S5558 18.100 kg/m



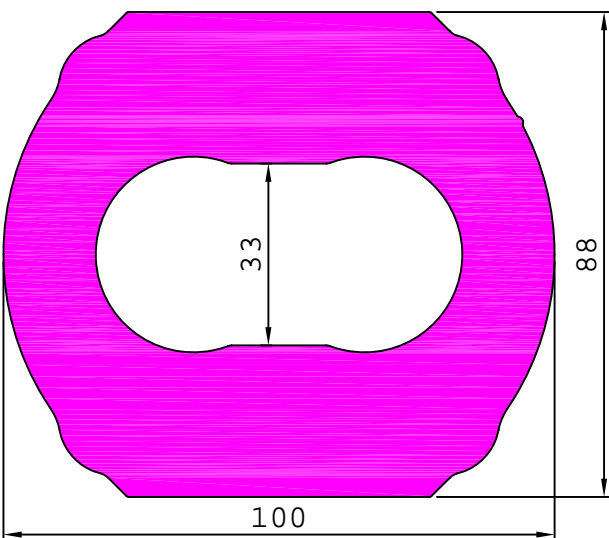
S5710 28.917 kg/m



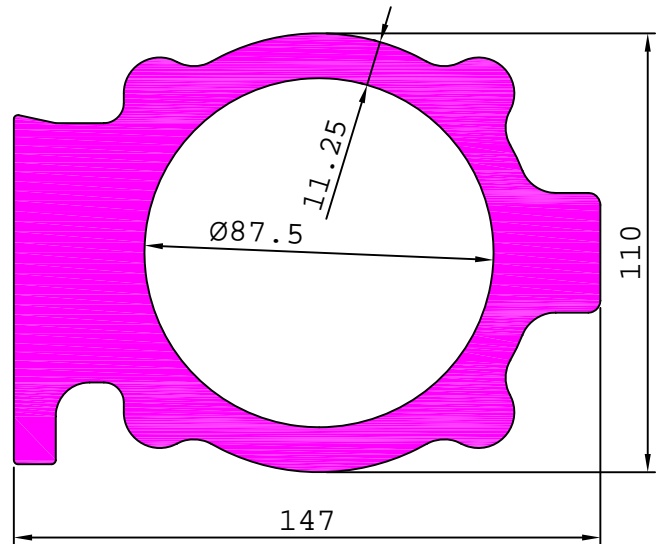
S5927 14.270 kg/m



S5939 15.044 kg/m

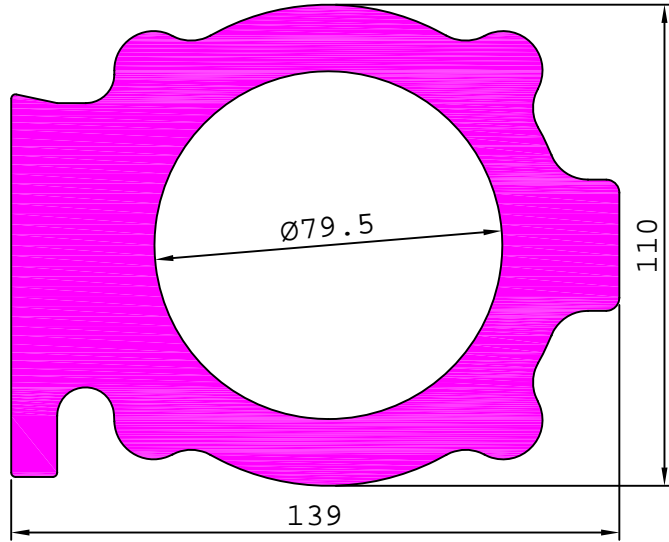


S6121 17.675 kg/m

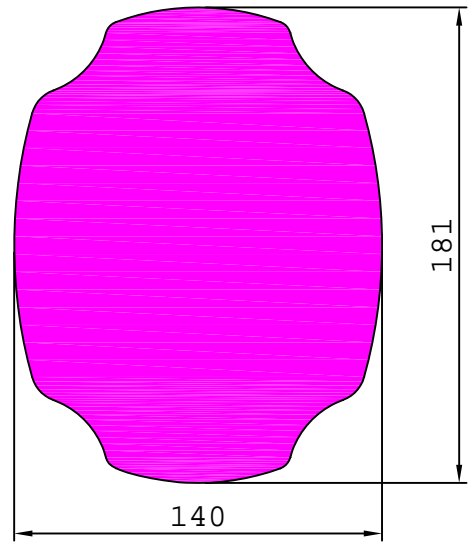


PUMP BODY AND ACTUATOR BODY

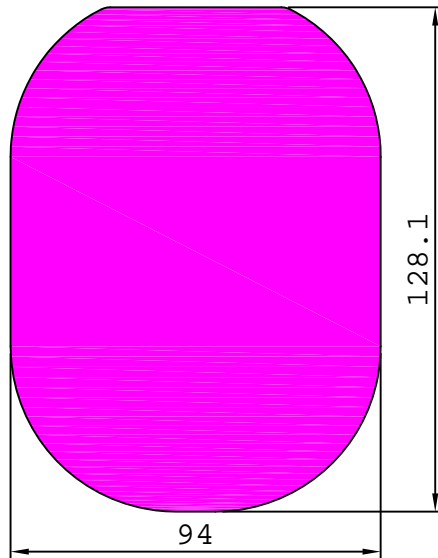
S6120 19.485 kg/m



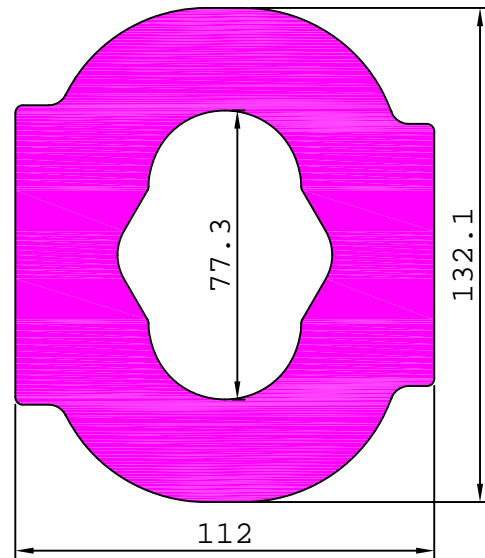
S6297 55.054 kg/m



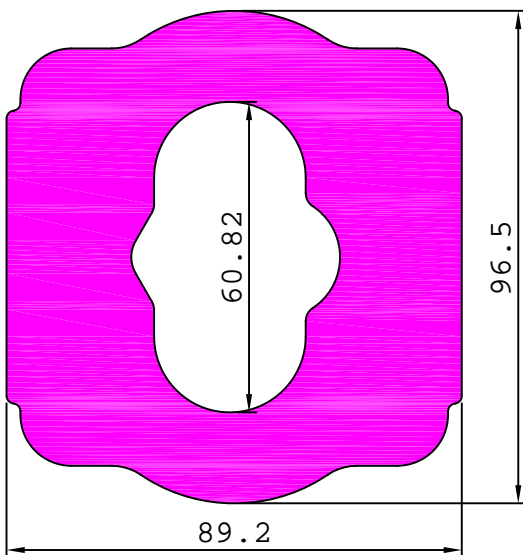
S6298 29.070 kg/m



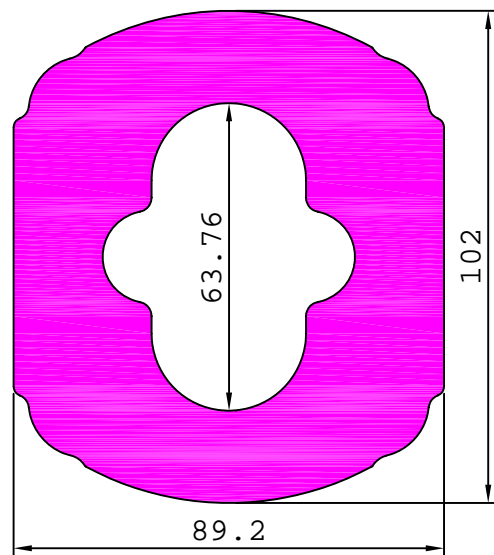
S6299 24.730 kg/m



S6300 15.463 kg/m

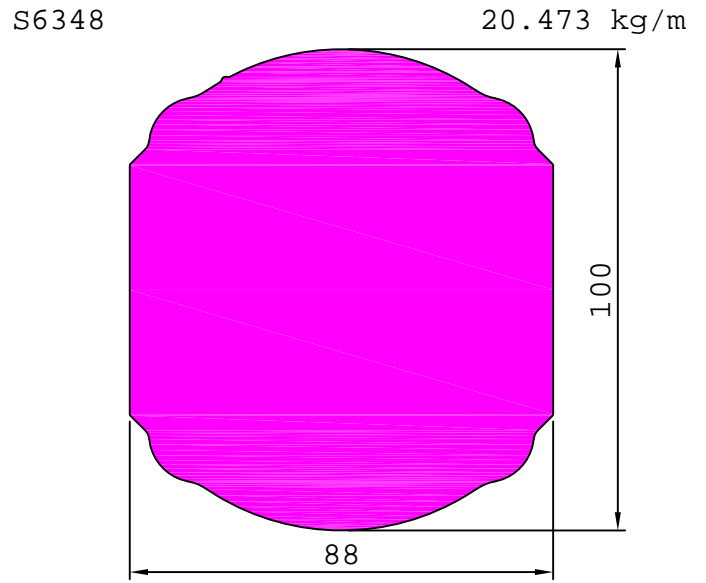
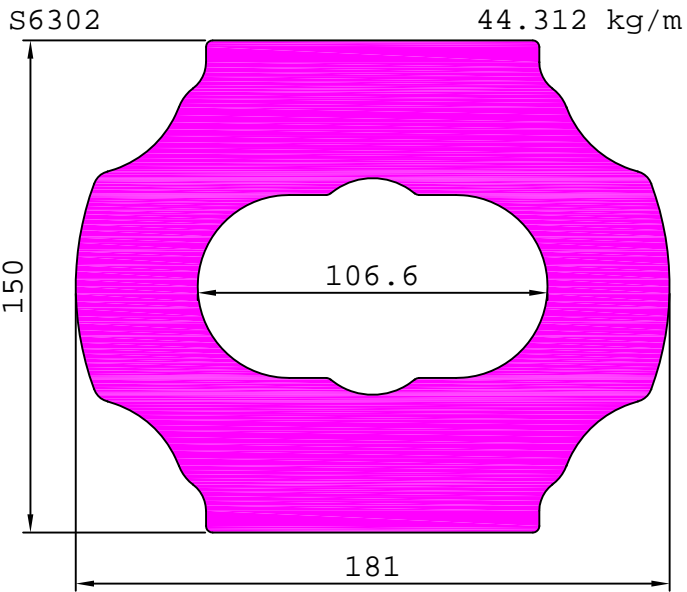


S6301 15.774 kg/m





PUMP BODY AND ACTUATOR BODY



PUMP BODY AND ACTUATOR BODY

