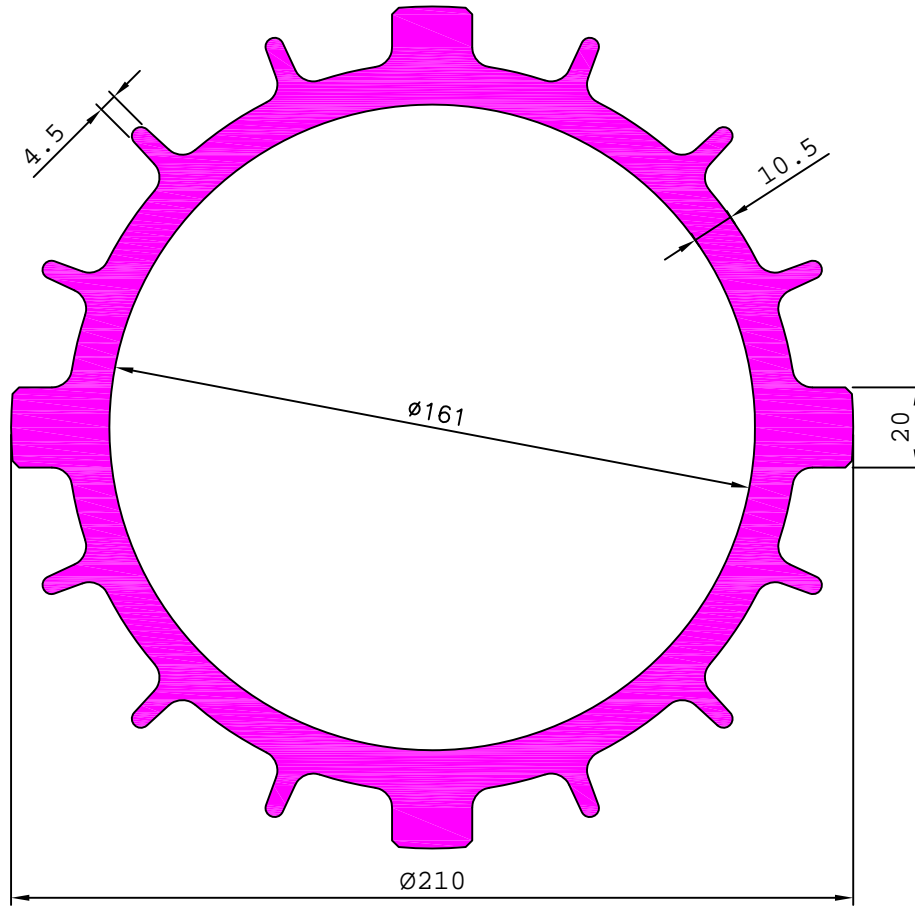


PUMP AND MOTOR BODY

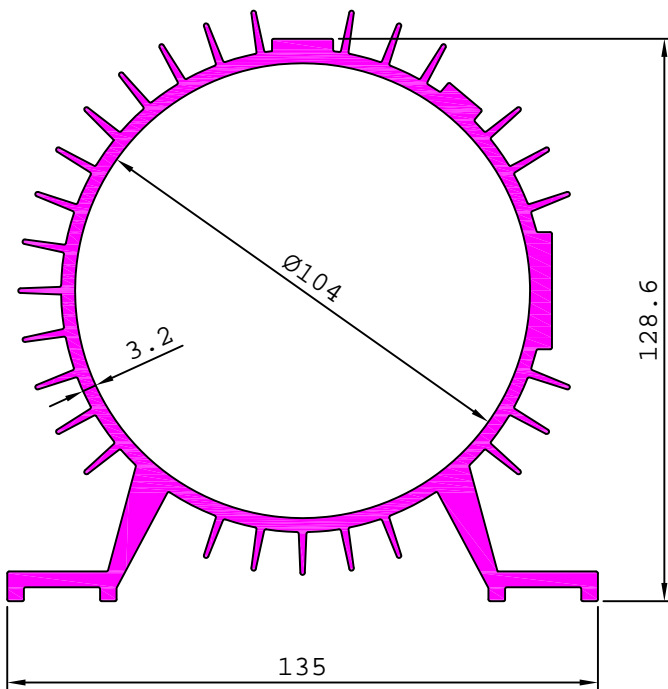
27201

20.896 kg/m



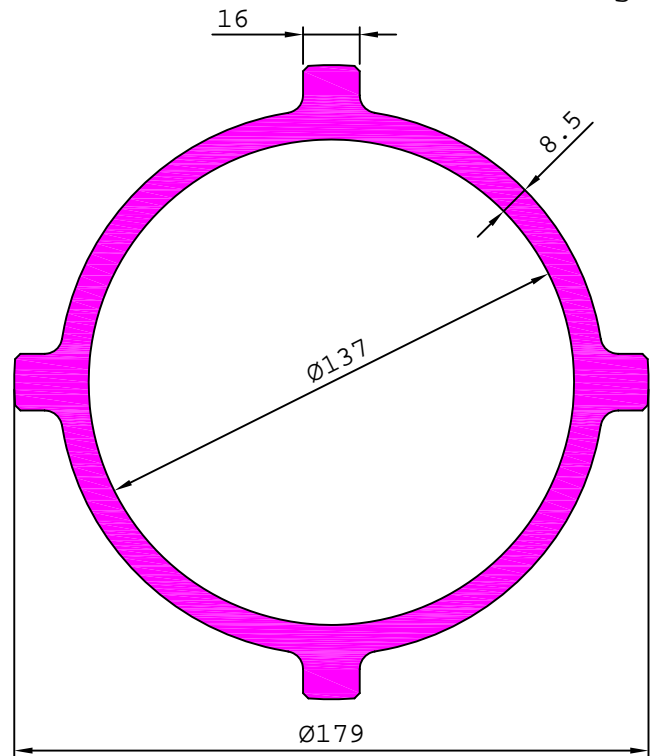
27206

5.669 kg/m



27207

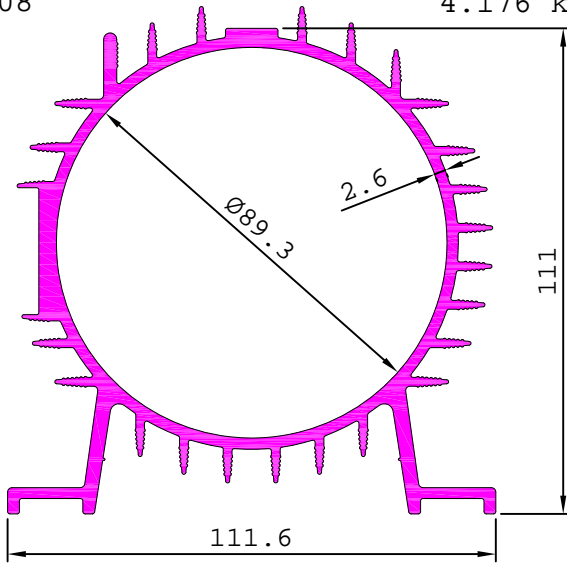
12.714 kg/m



PUMP AND MOTOR BODY

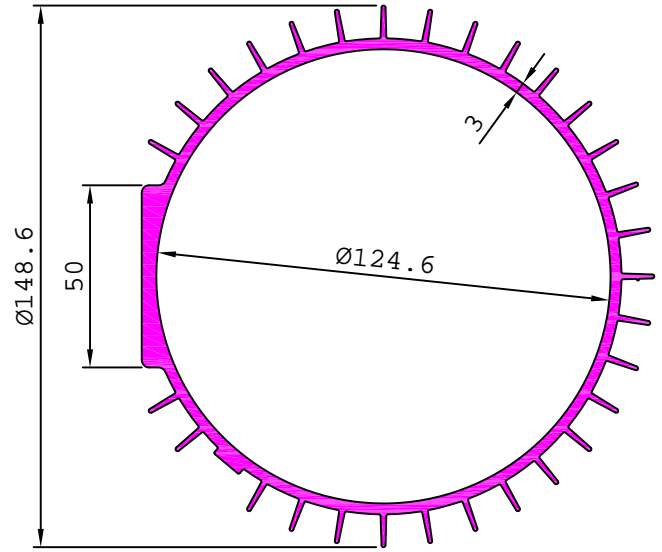
27208

4.176 kg/m



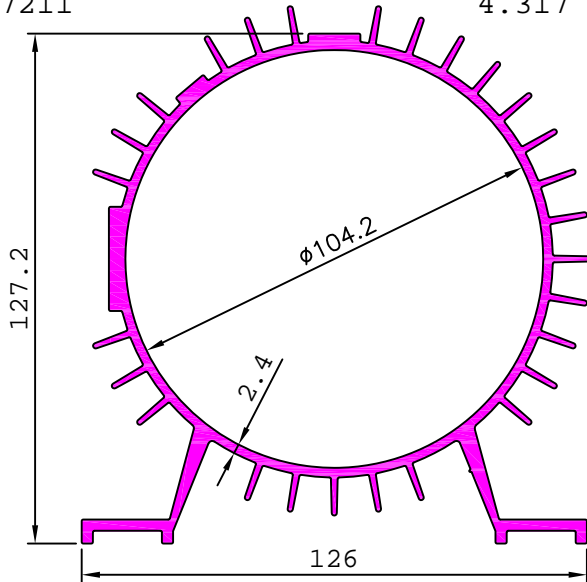
27209

4.612 kg/m



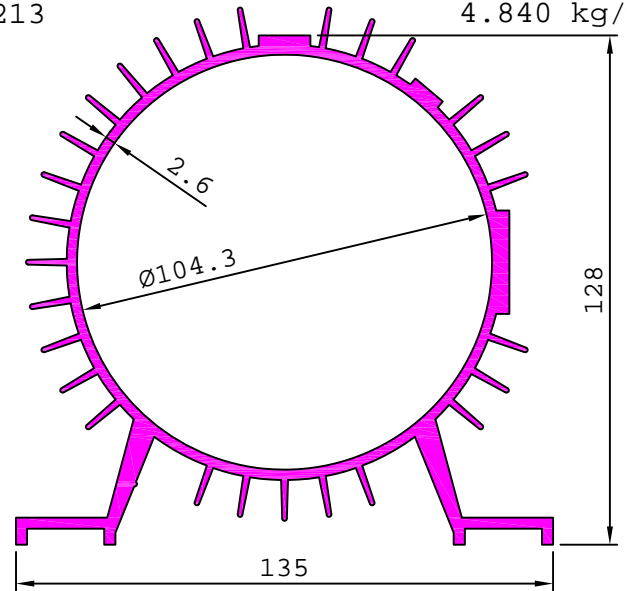
27211

4.317 kg/m



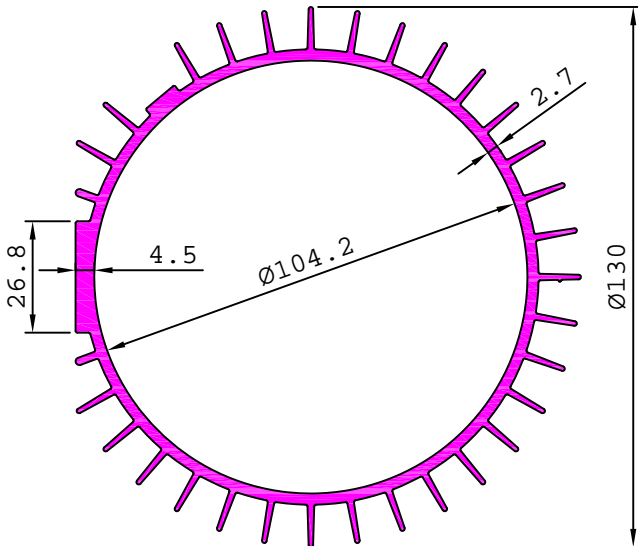
27213

4.840 kg/m



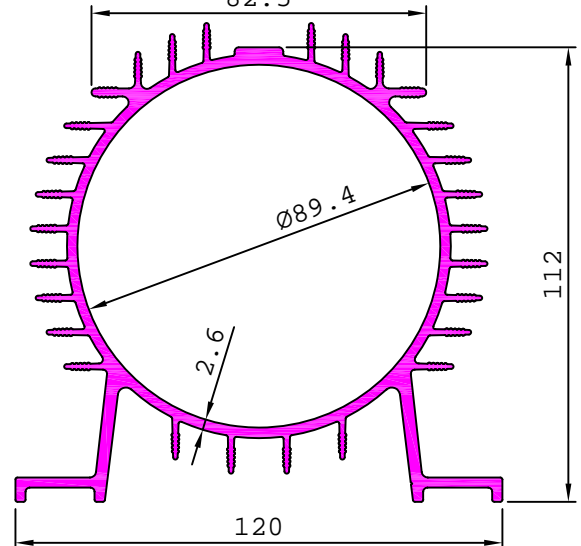
27214

3.813 kg/m



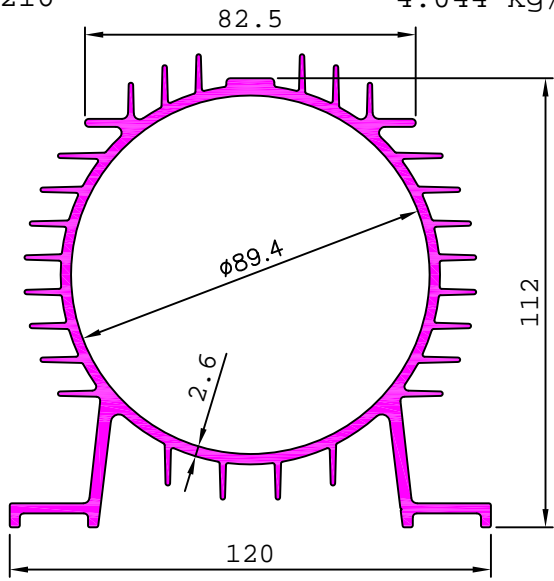
27215

4.162 kg/m

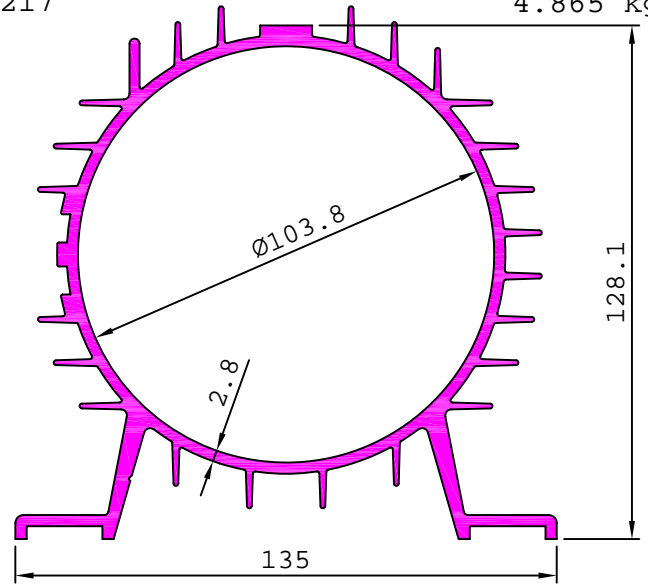


PUMP AND MOTOR BODY

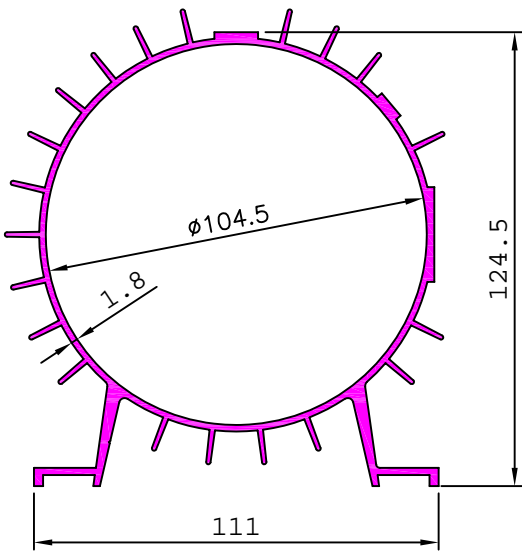
27216 4.044 kg/m



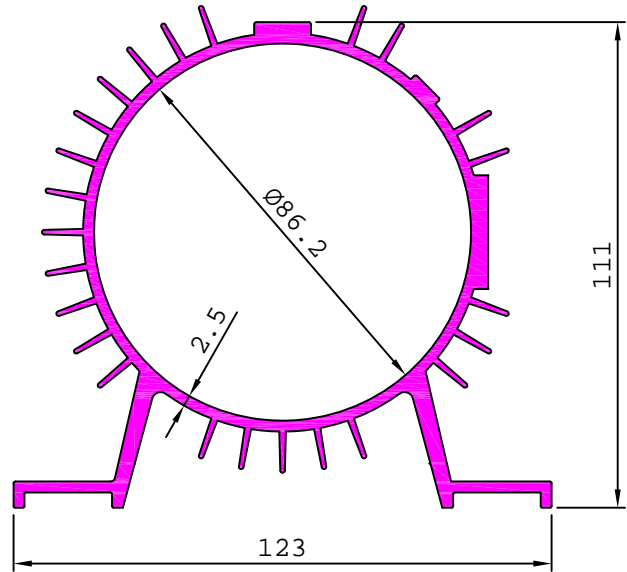
27217 4.865 kg/m



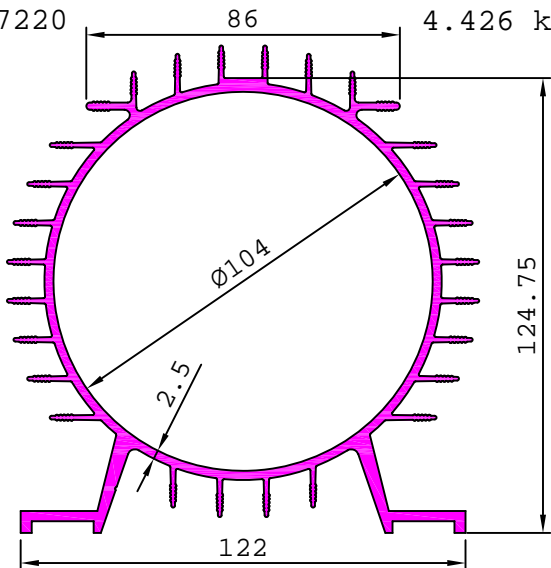
27218 3.101 kg/m



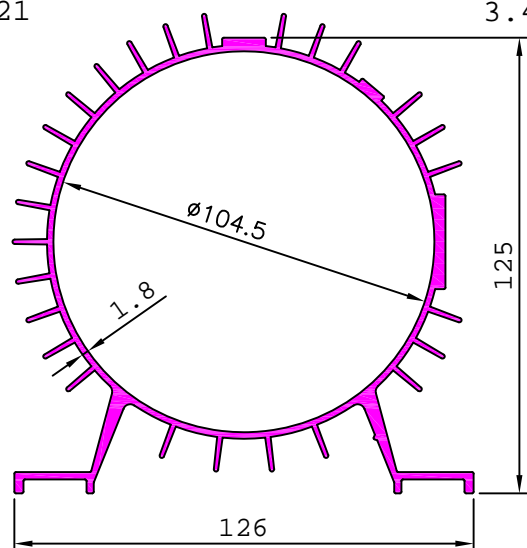
27219 3.886 kg/m



27220 4.426 kg/m



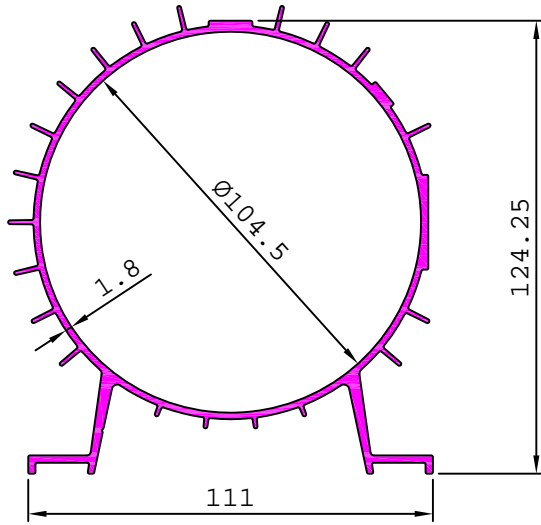
27221 3.449 kg/m



PUMP AND MOTOR BODY

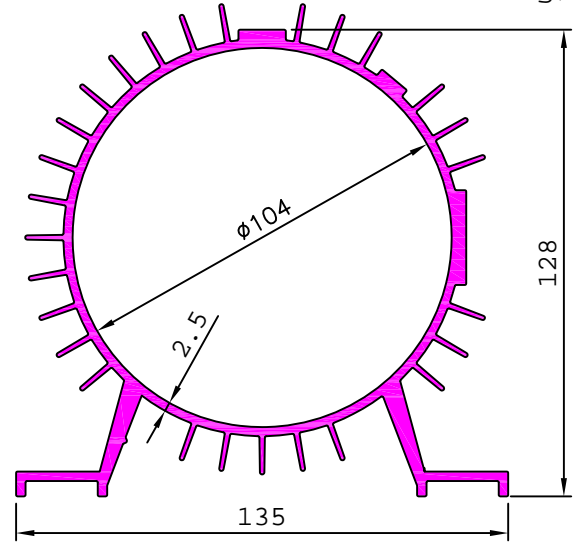
27223

2.721 kg/m



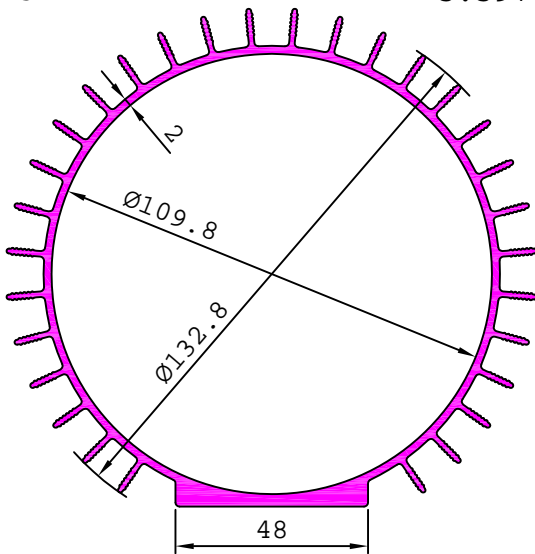
27224

4.648 kg/m



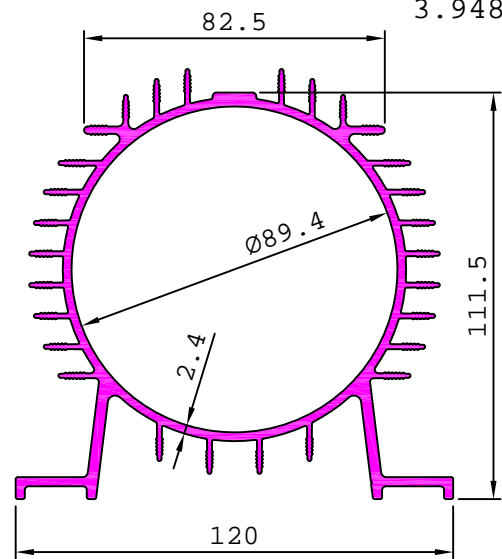
27225

3.397 kg/m



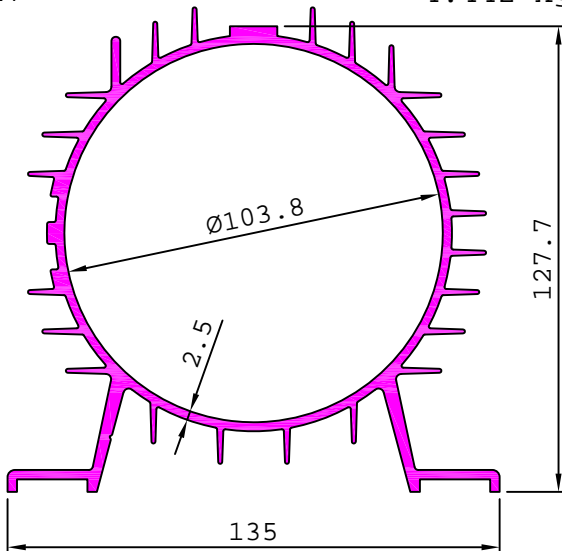
27226

3.948 kg/m



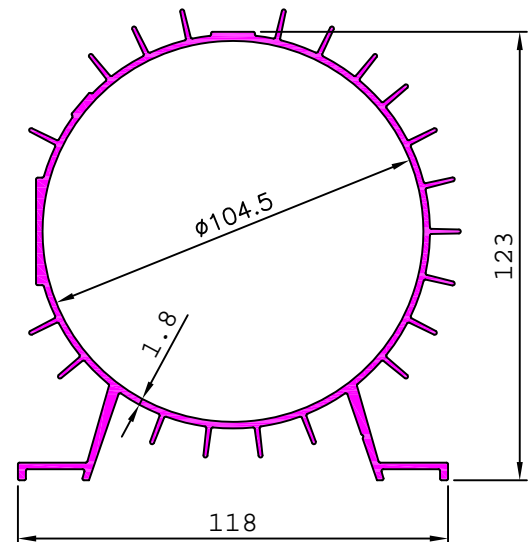
27227

4.442 kg/m



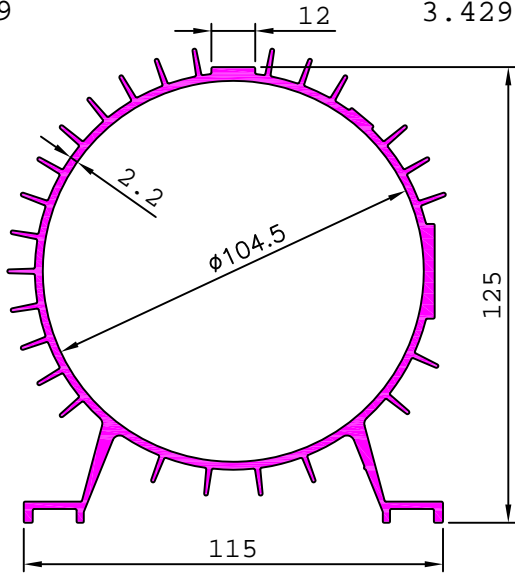
27228

2.856 kg/m

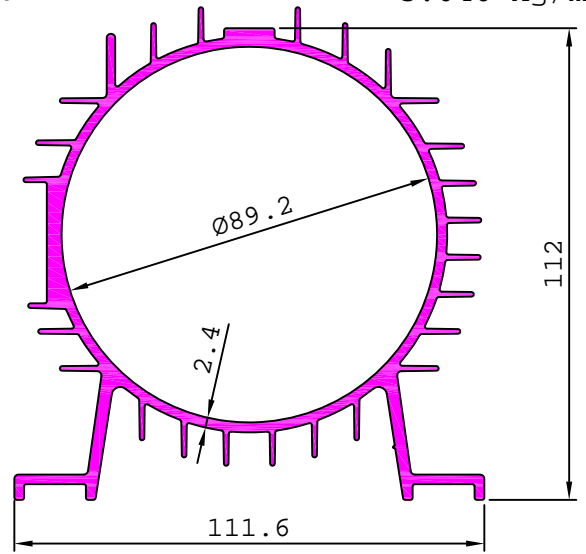


PUMP AND MOTOR BODY

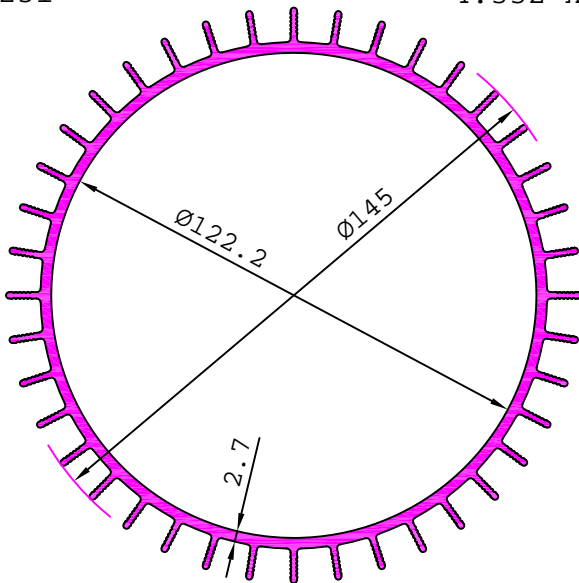
27229 3.429 kg/m



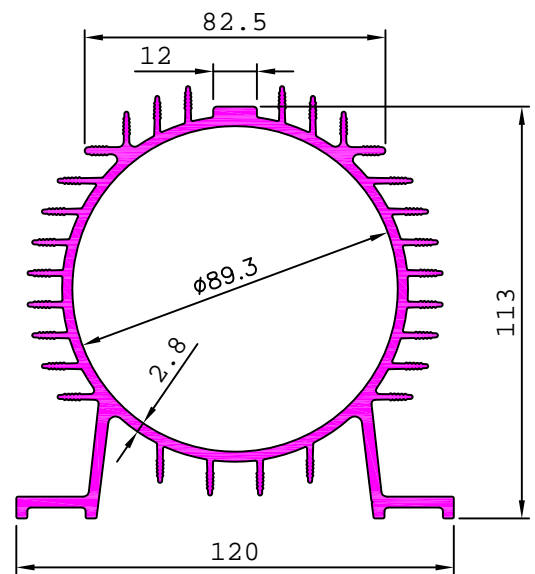
27230 3.640 kg/m



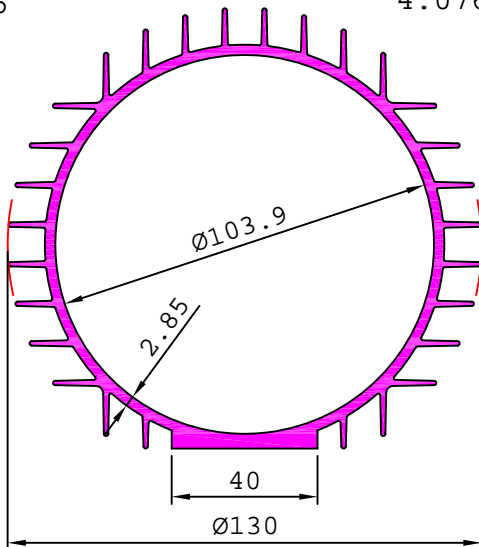
27231 4.332 kg/m



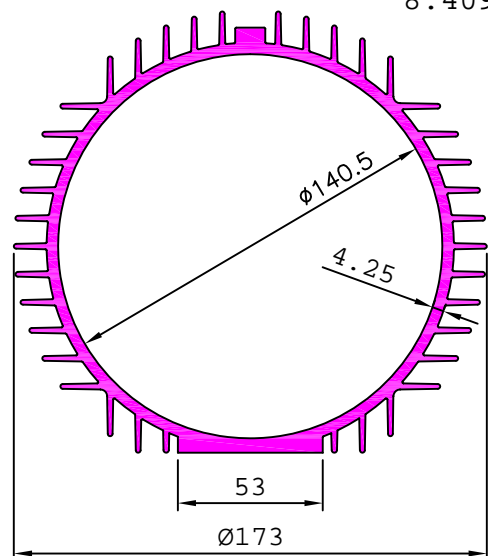
27234 4.485 kg/m



27236 4.076 kg/m



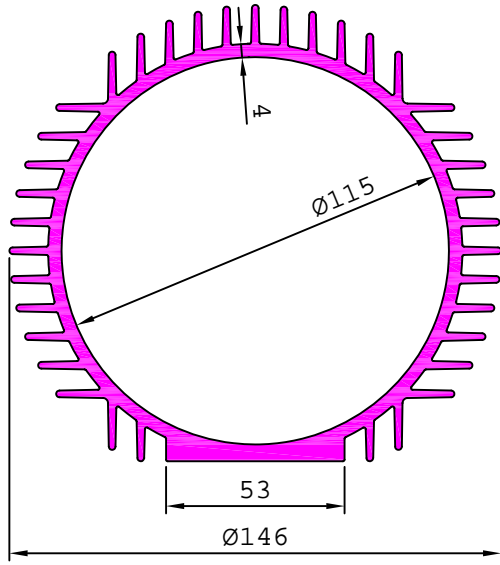
27237 8.409 kg/m



PUMP AND MOTOR BODY

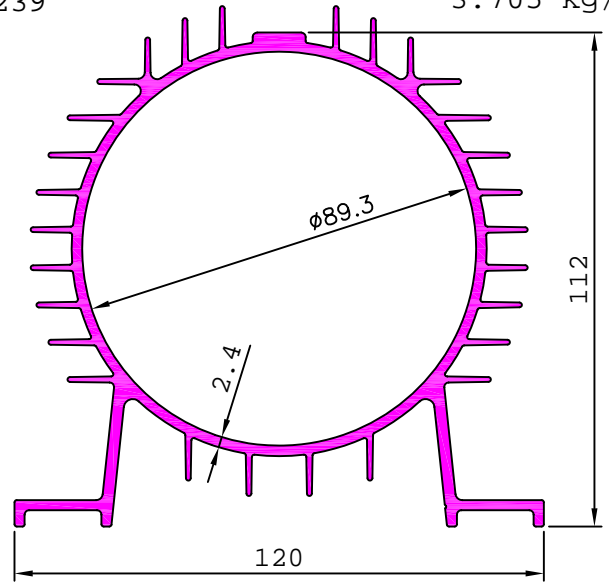
27238

7.260 kg/m



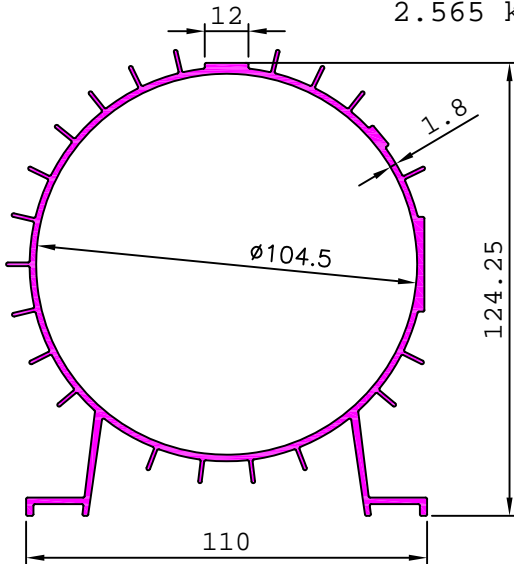
27239

3.705 kg/m



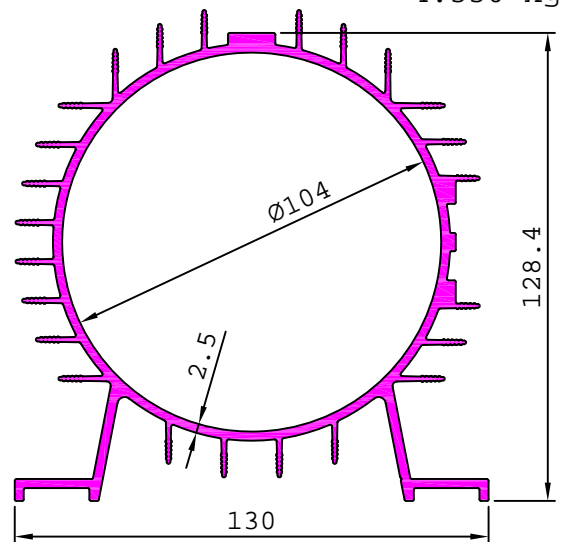
27240

2.565 kg/m



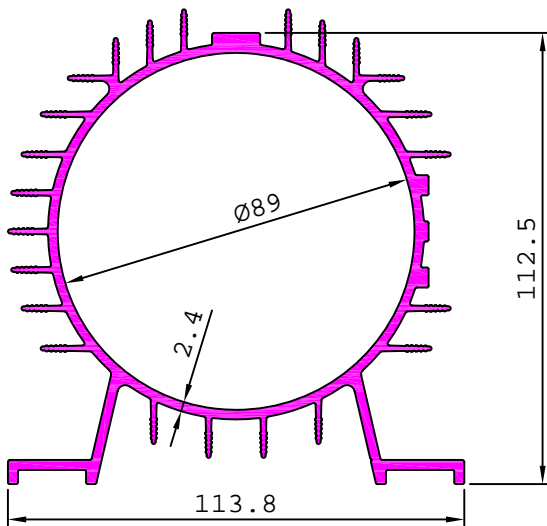
27241

4.330 kg/m



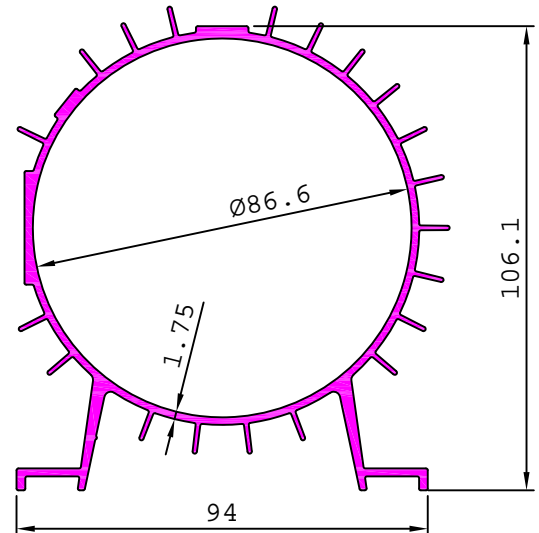
27242

3.686 kg/m



27243

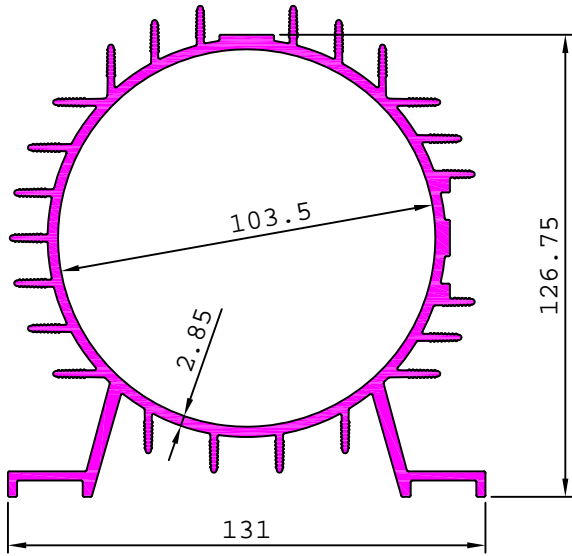
2.331 kg/m



PUMP AND MOTOR BODY

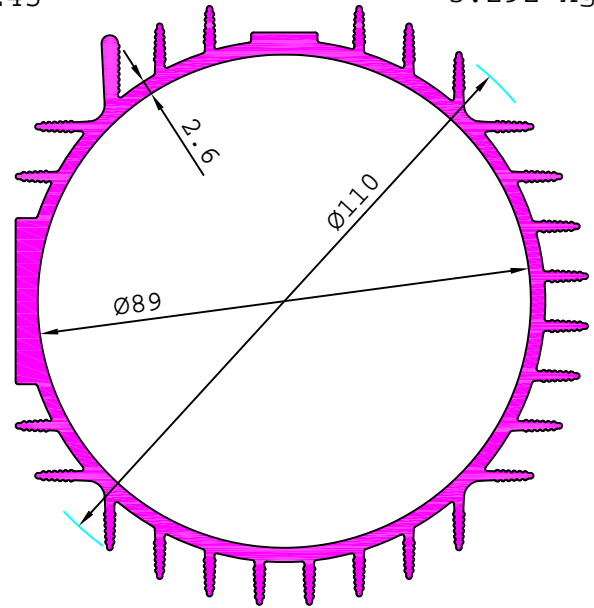
27244

5.034 kg/m



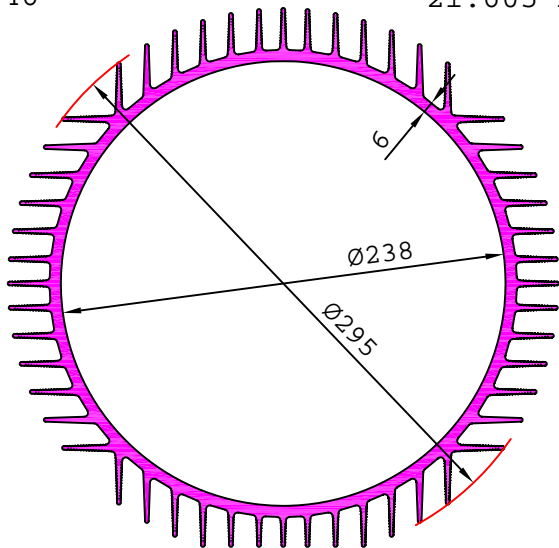
27245

3.292 kg/m



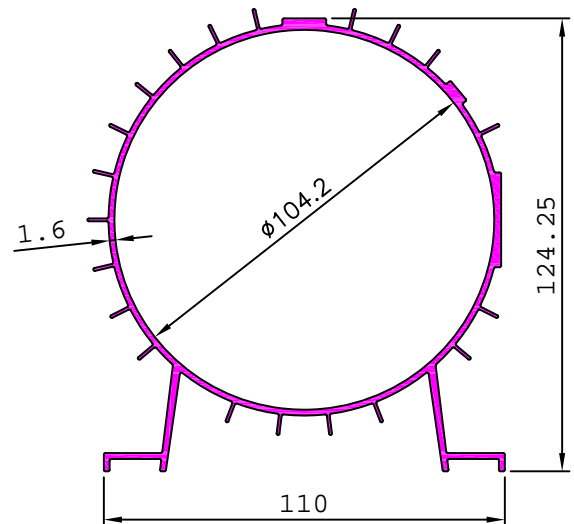
27246

21.605 kg/m



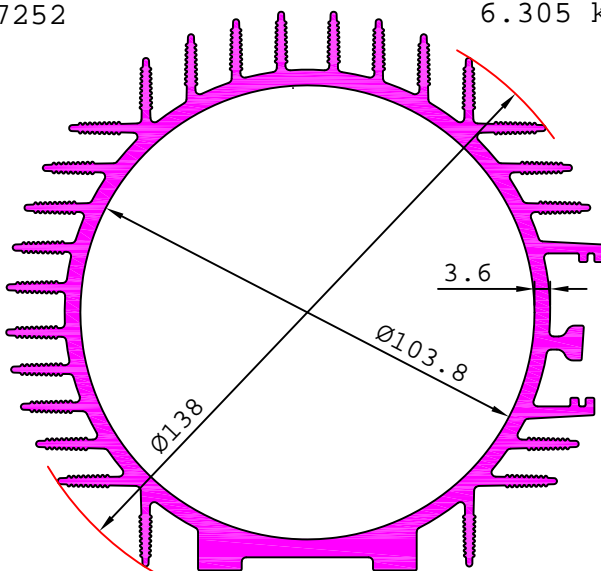
27251

2.290 kg/m



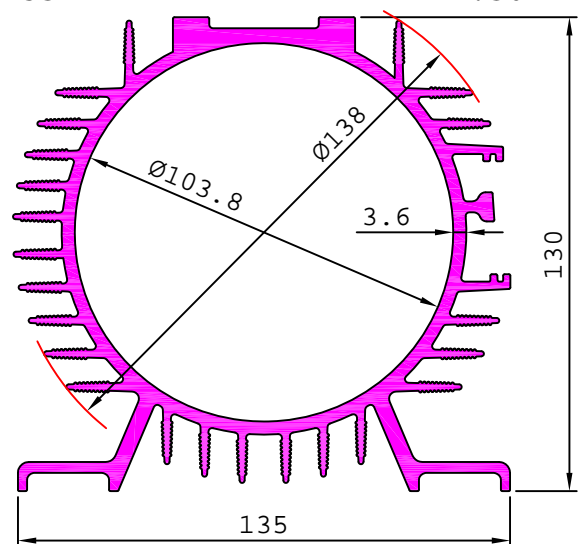
27252

6.305 kg/m



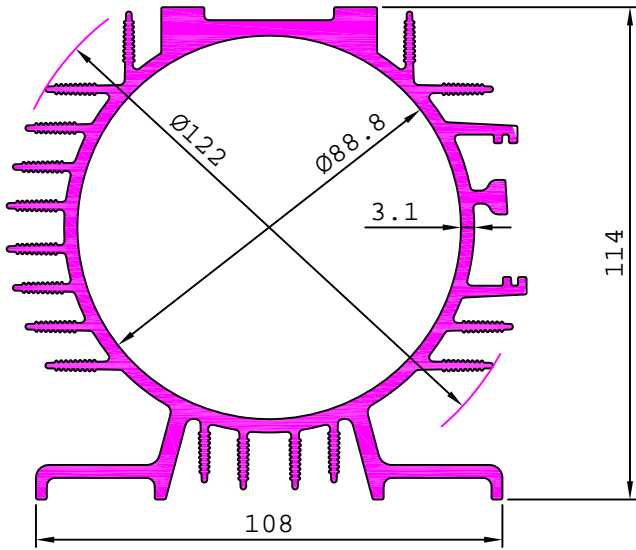
27253

7.367 kg/m

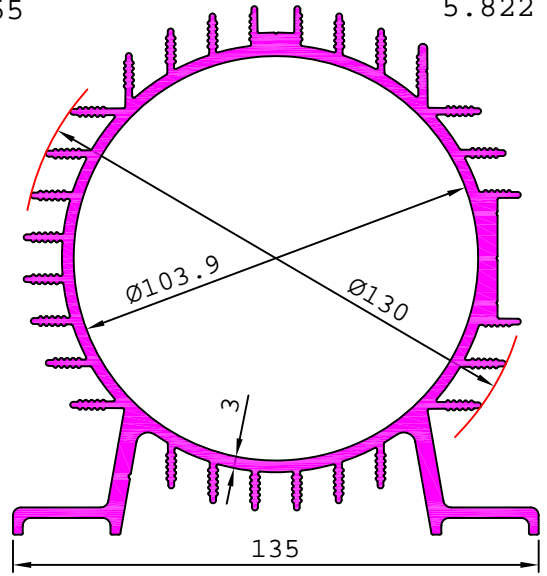


PUMP AND MOTOR BODY

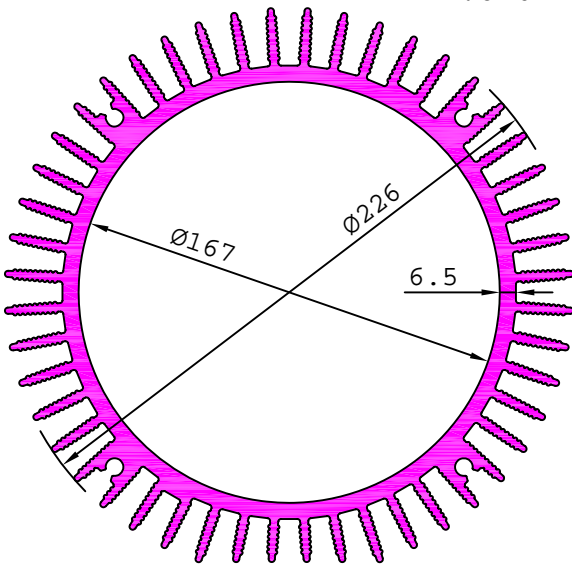
27254 5.616 kg/m



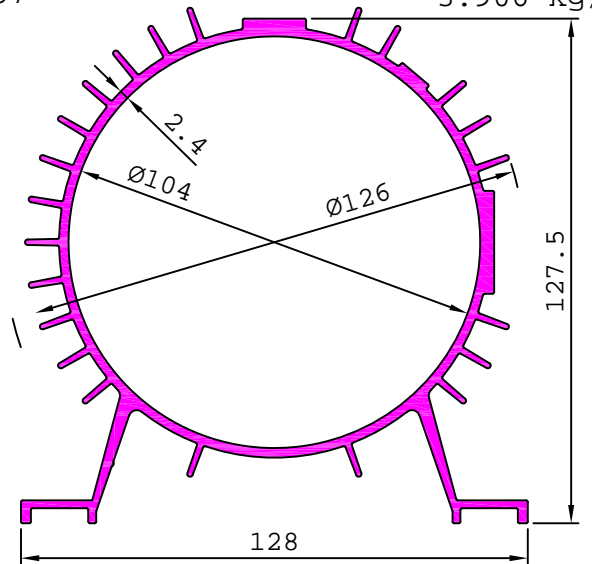
27255 5.822 kg/m



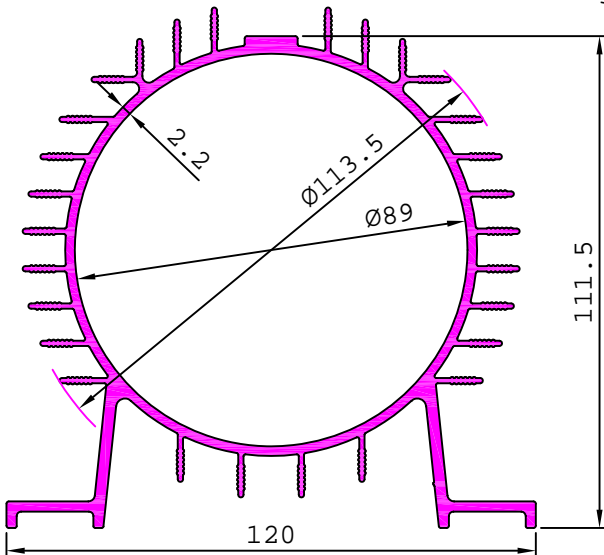
27256 21.026 kg/m



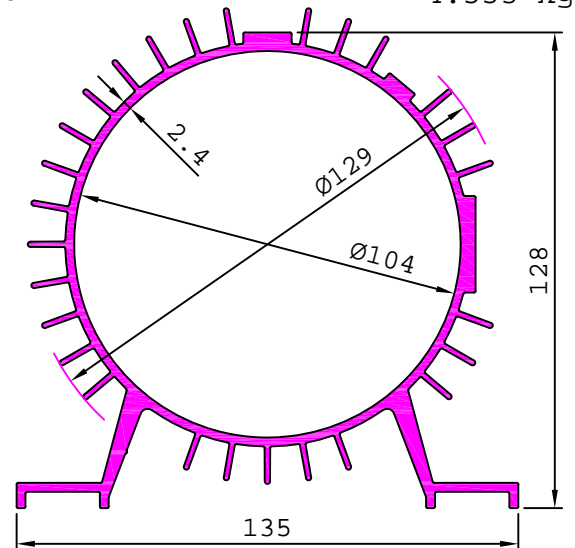
27257 3.906 kg/m



27258 3.636 kg/m



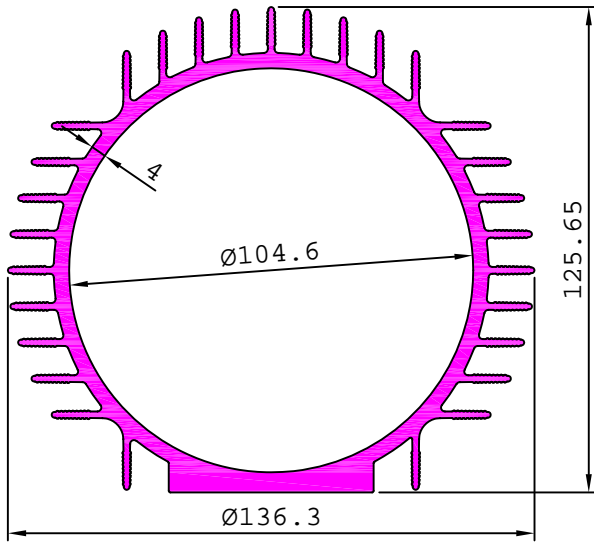
27259 4.553 kg/m



PUMP AND MOTOR BODY

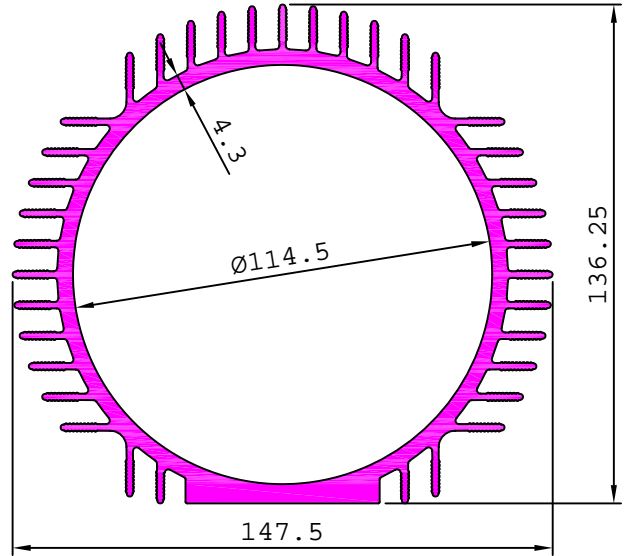
27260

6.111 kg/m



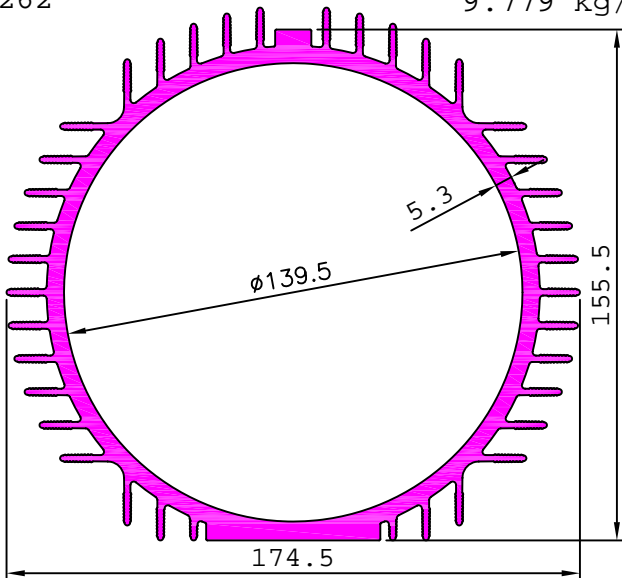
27261

7.384 kg/m



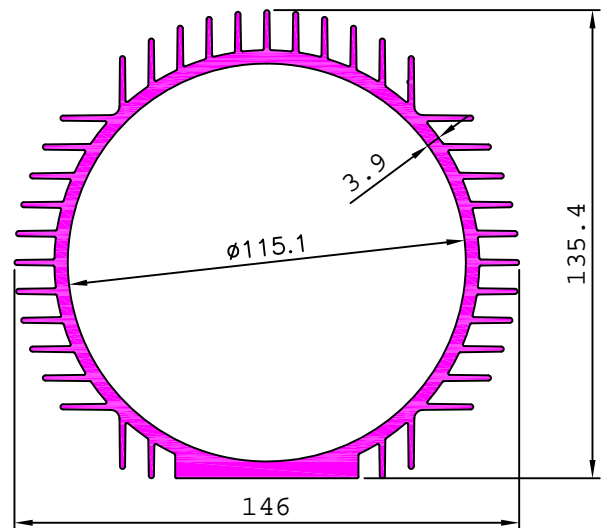
27262

9.779 kg/m



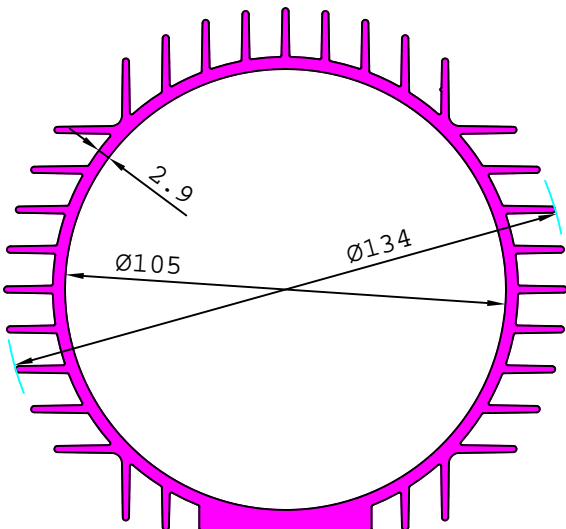
27263

6.416 kg/m



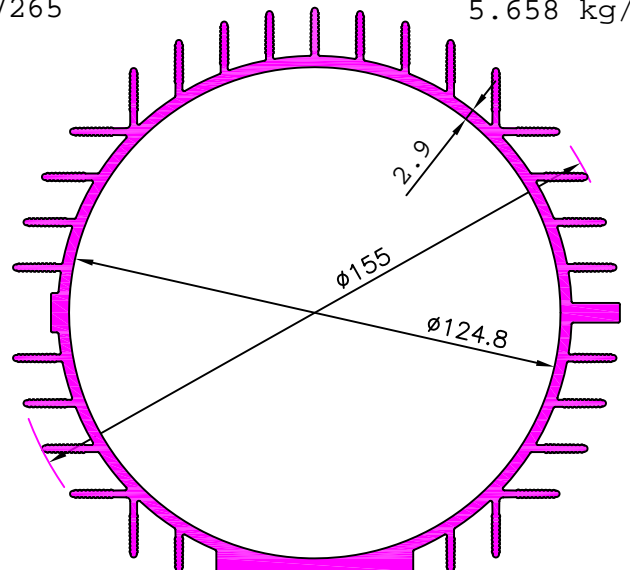
27264

4.805 kg/m



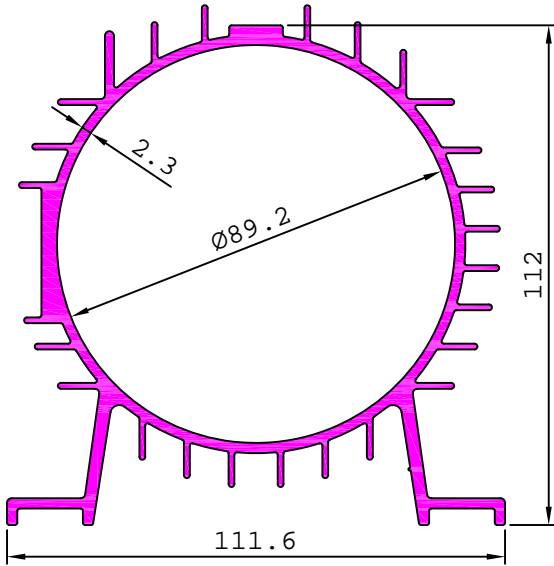
27265

5.658 kg/m

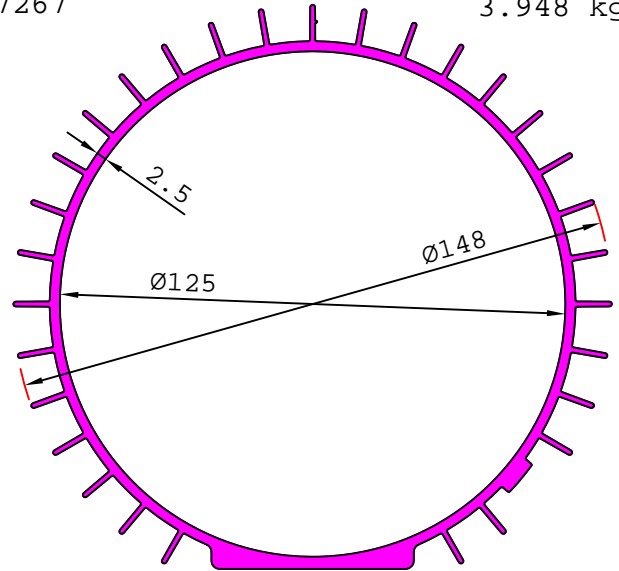


PUMP AND MOTOR BODY

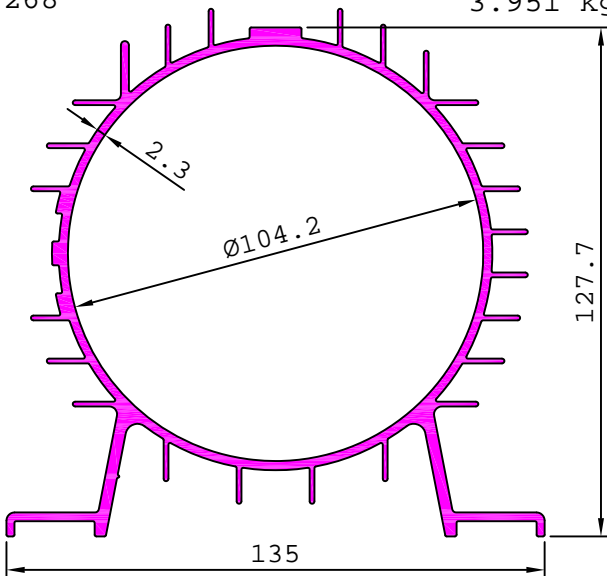
27266 3.600 kg/m



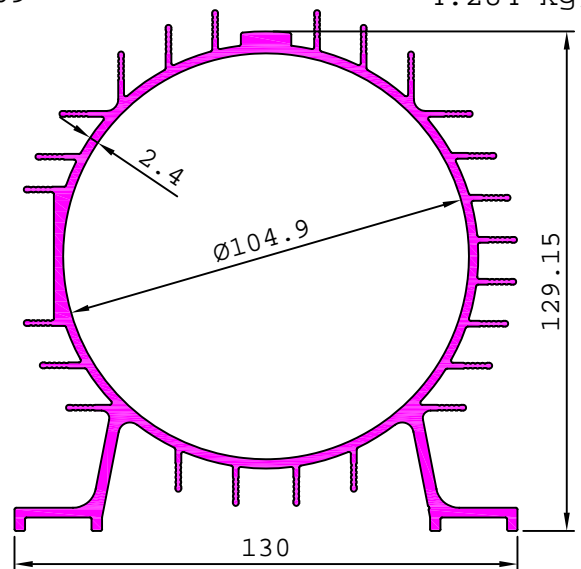
27267 3.948 kg/m



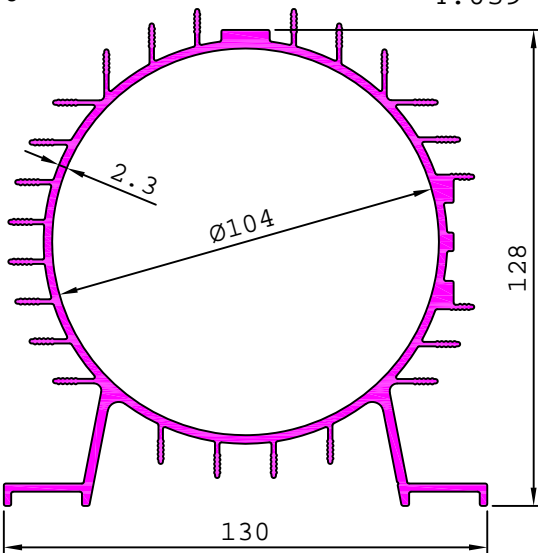
27268 3.951 kg/m



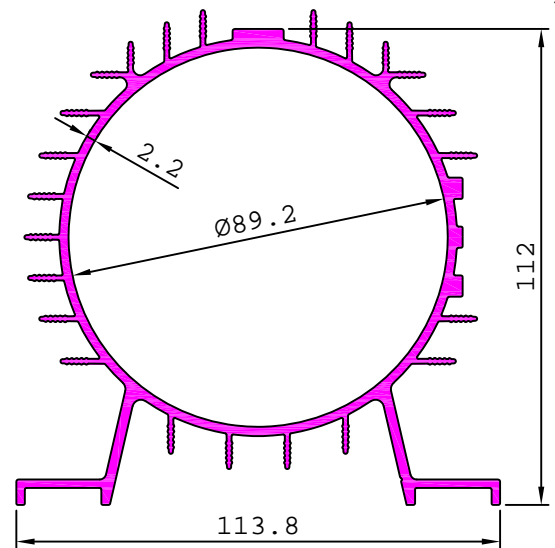
27269 4.284 kg/m



27270 4.039 kg/m



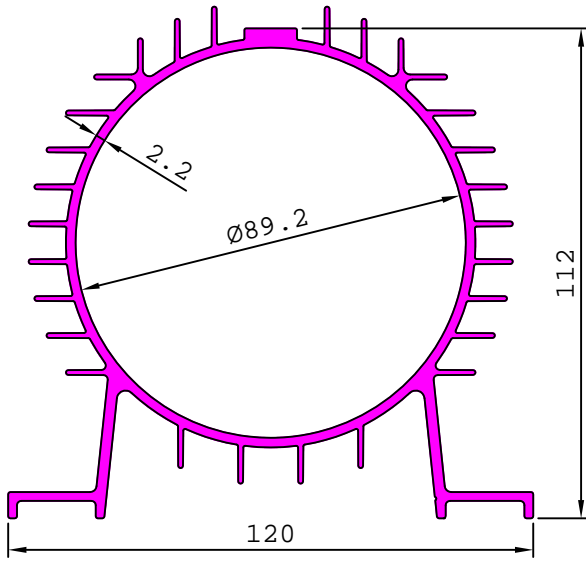
27271 3.226 kg/m



PUMP AND MOTOR BODY

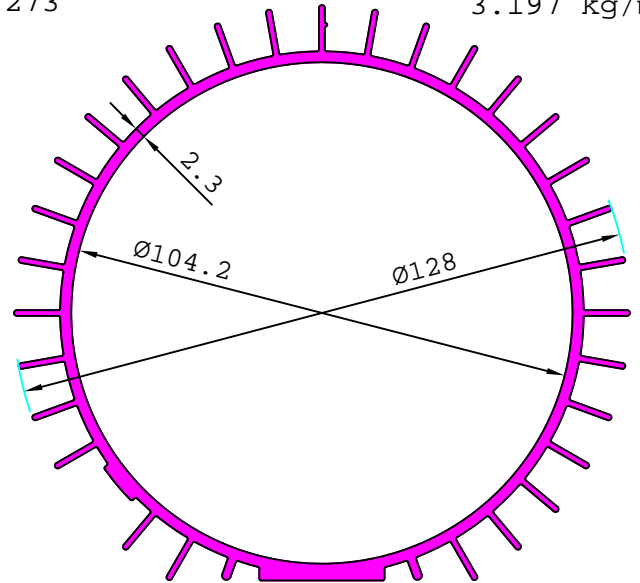
27272

3.343 kg/m



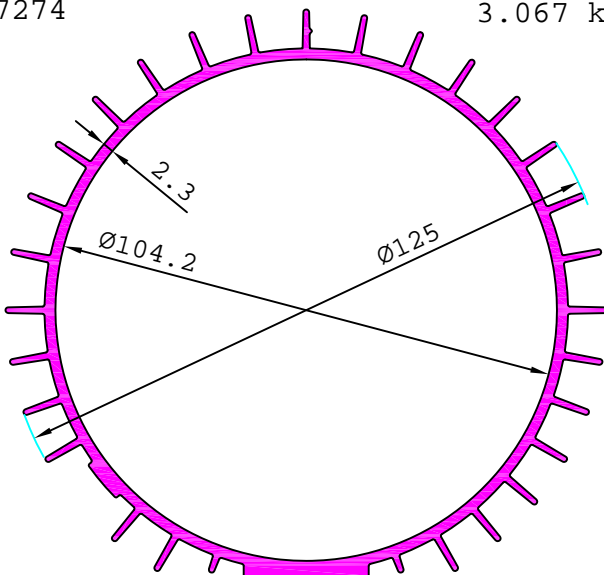
27273

3.197 kg/m



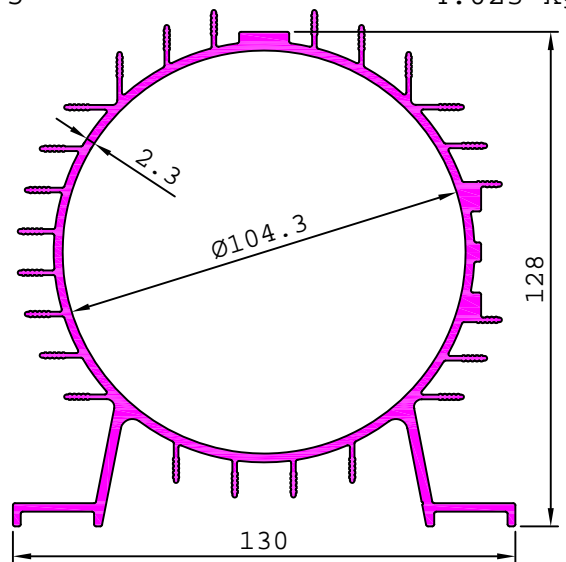
27274

3.067 kg/m



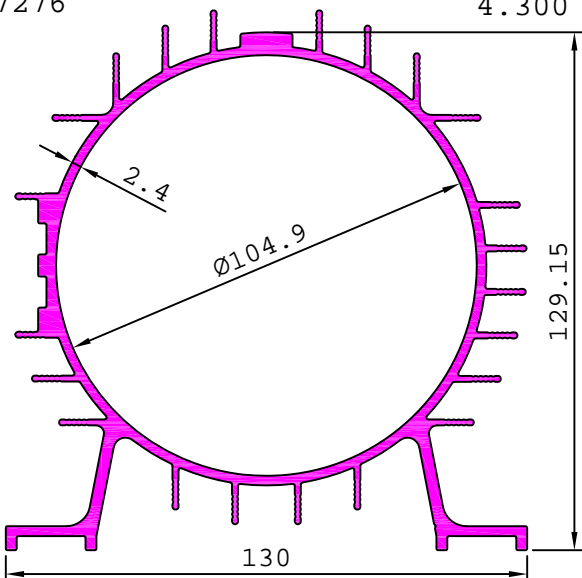
27275

4.023 kg/m



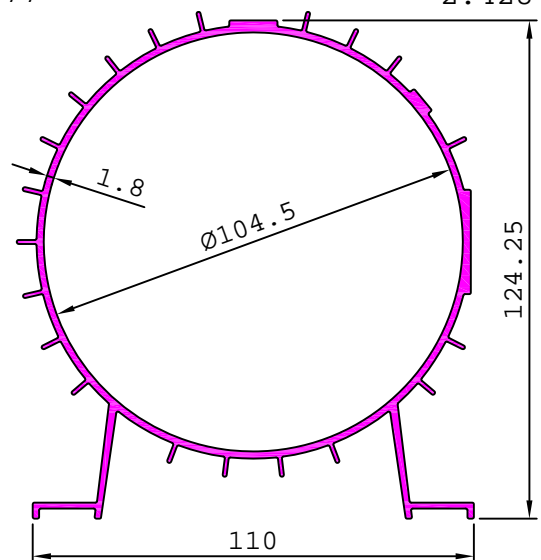
27276

4.300 kg/m



27277

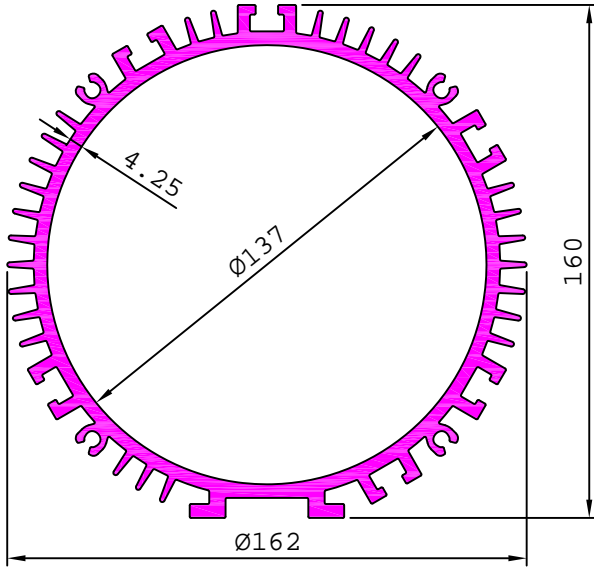
2.428 kg/m



PUMP AND MOTOR BODY

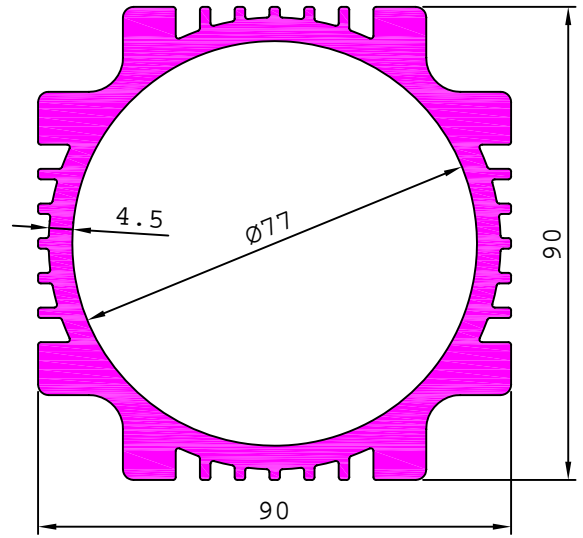
27278

8.339 kg/m



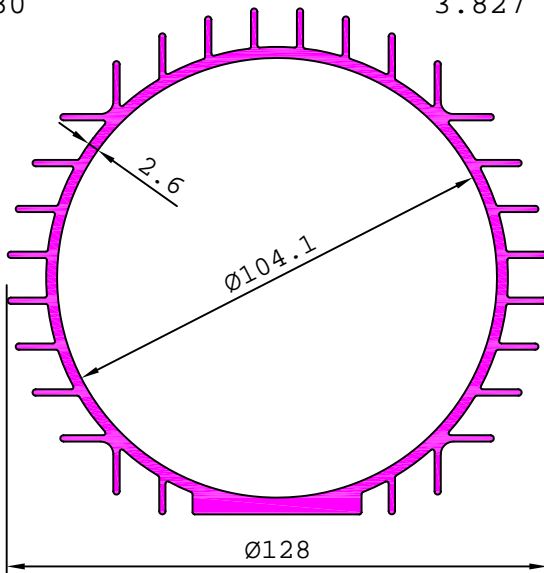
27279

5.504 kg/m



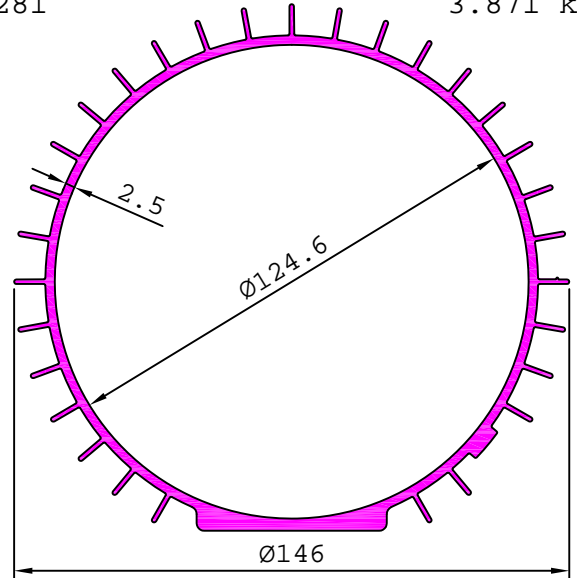
27280

3.827 kg/m



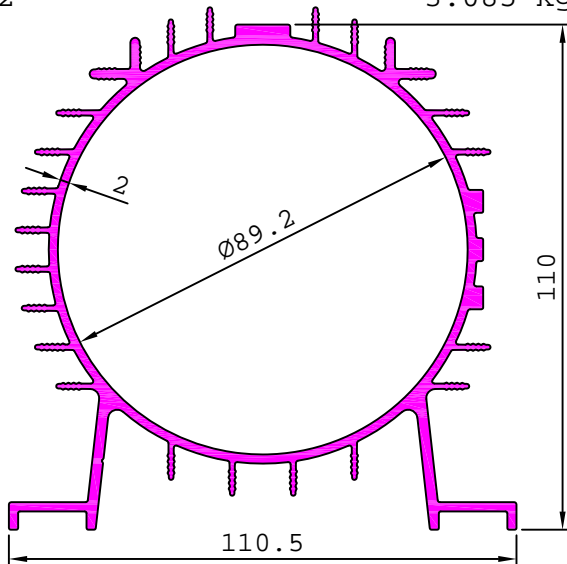
27281

3.871 kg/m



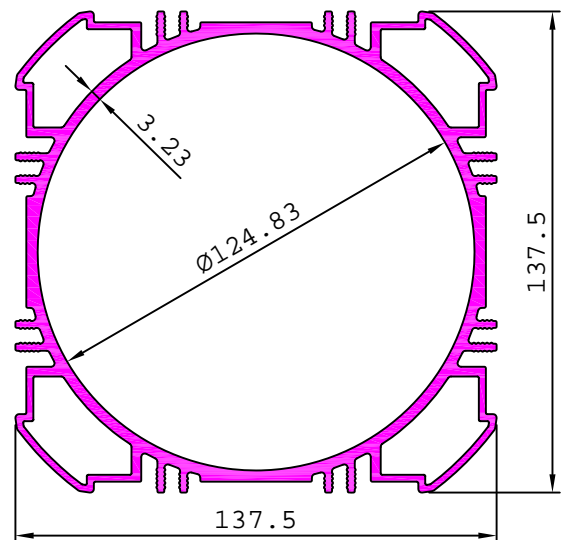
27282

3.085 kg/m



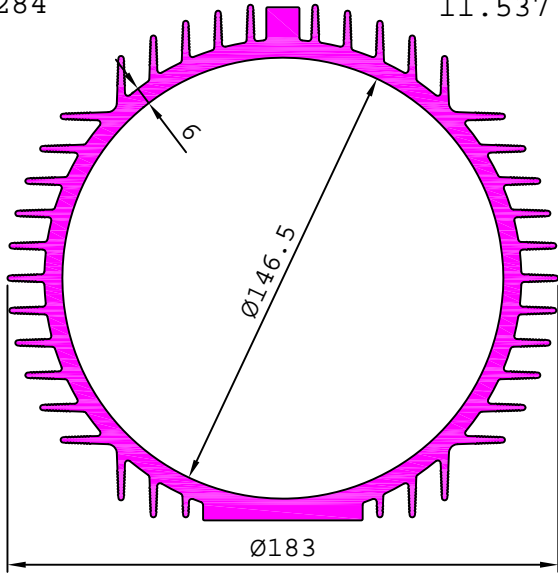
27283

6.370 kg/m

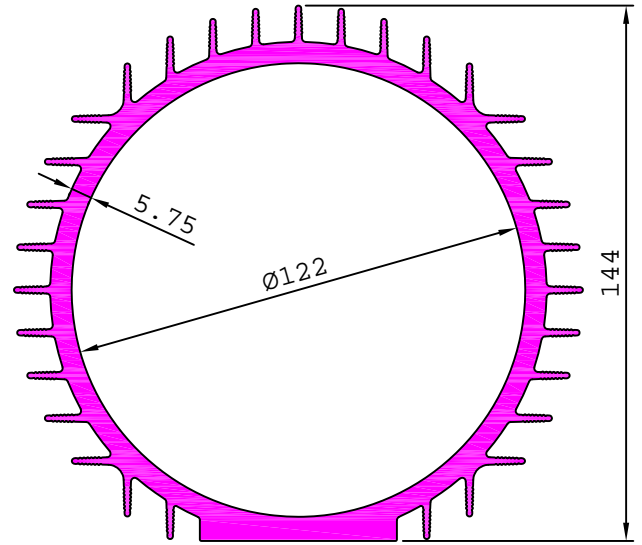


PUMP AND MOTOR BODY

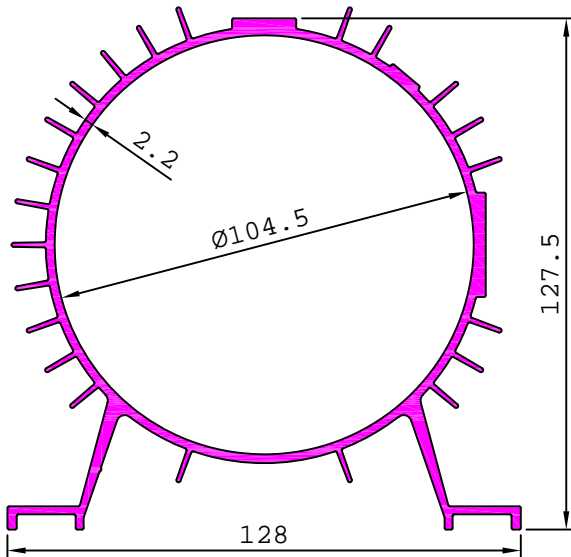
27284 11.537 kg/m



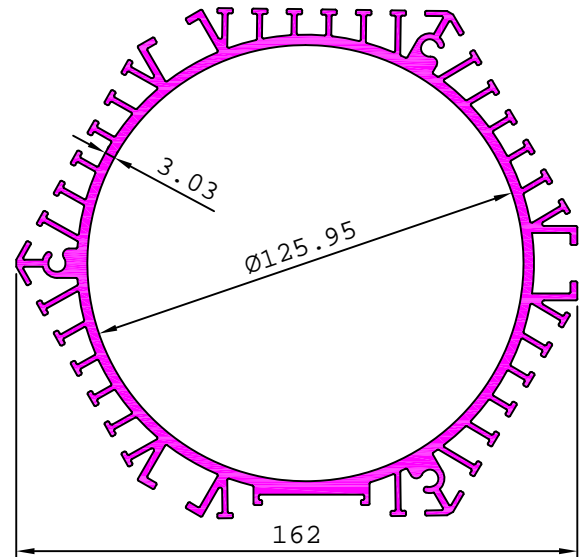
27285 8.269 kg/m



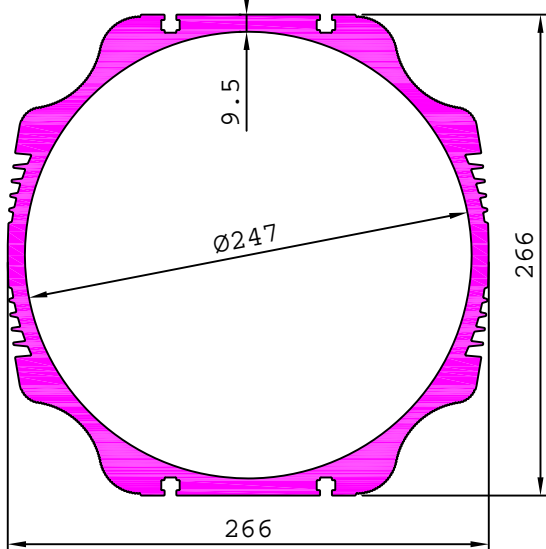
27286 3.508 kg/m



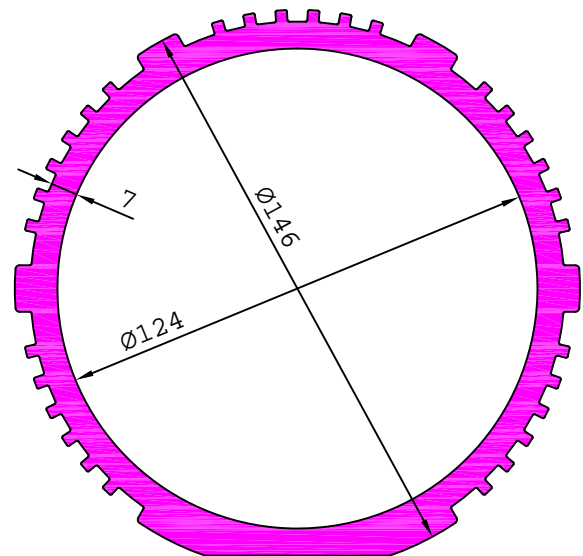
27287 6.363 kg/m



27288 30.206 kg/m



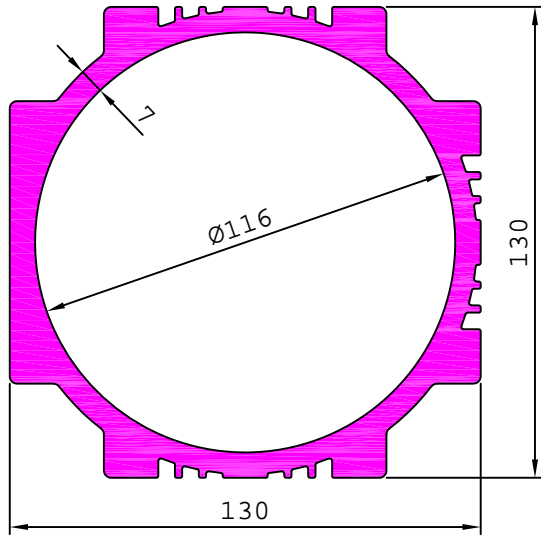
S6123 9.610 kg/m



PUMP AND MOTOR BODY

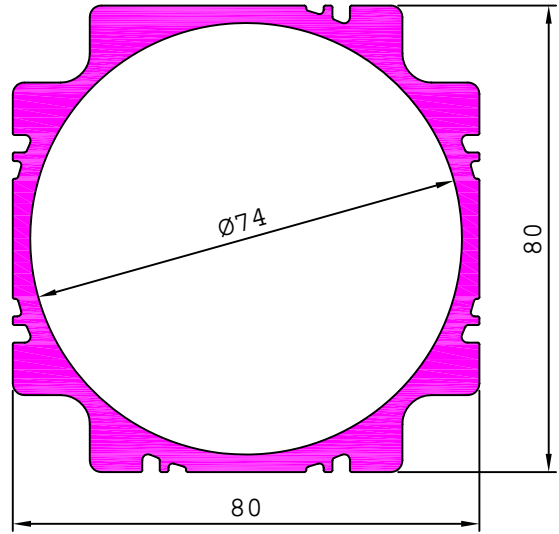
S6071

10.098 kg/m



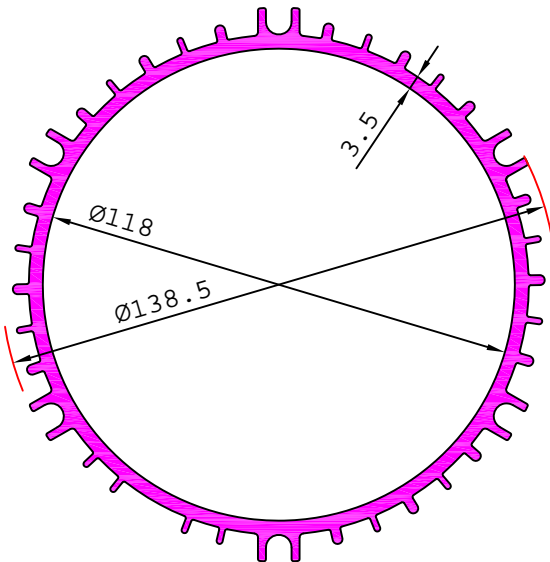
S6029

3.601 kg/m



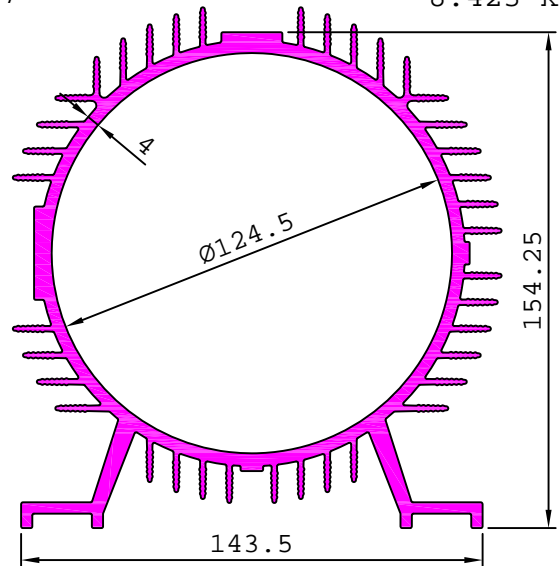
S5978

4.731 kg/m



S5917

8.423 kg/m



S5600

30.390 kg/m

