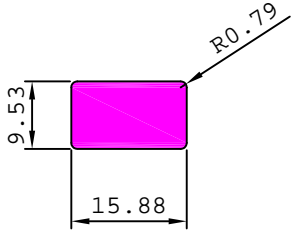
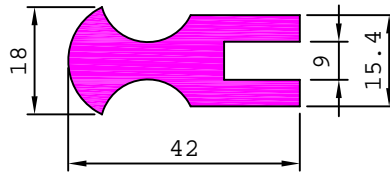


LATCH, SPECIAL HINGES & ALDROP

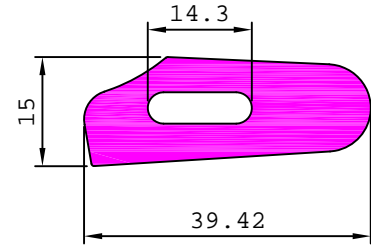
18452 0.407 kg/m



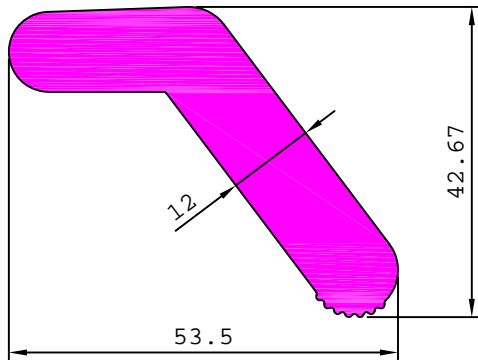
18456 1.060 kg/m



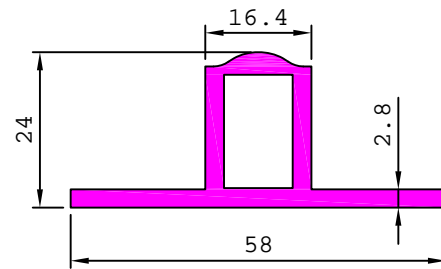
28073 1.120 kg/m



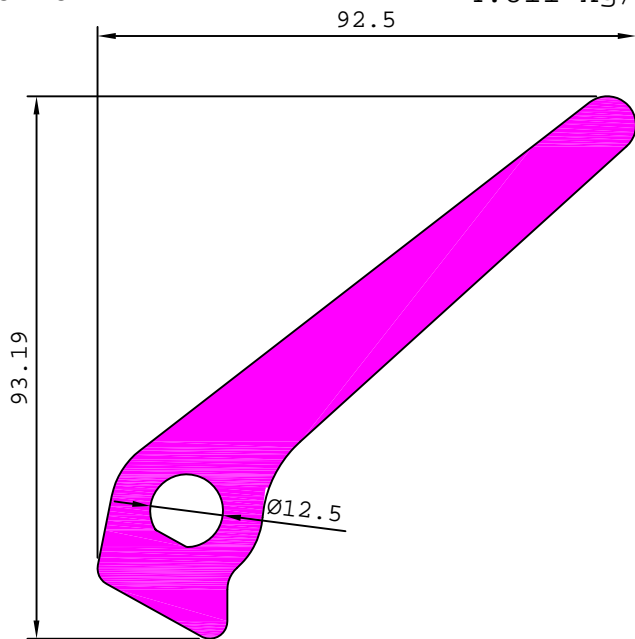
28072 2.102 kg/m



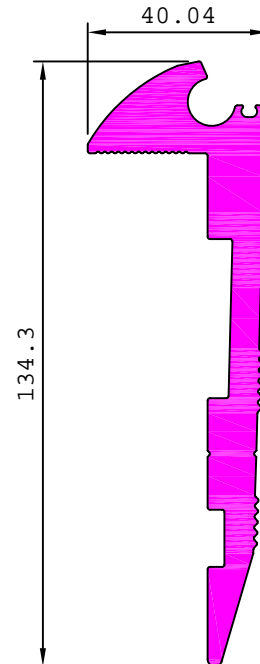
18459 0.828 kg/m



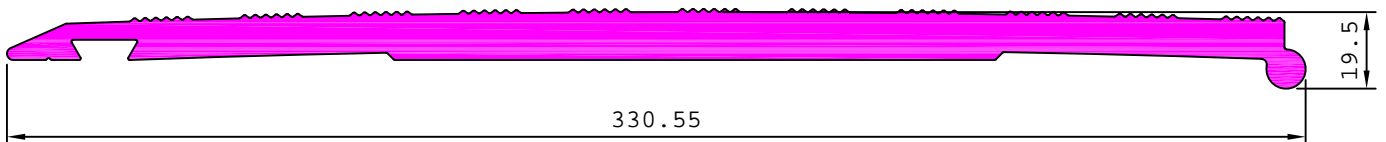
18428 4.811 kg/m



18430 3.815 kg/m

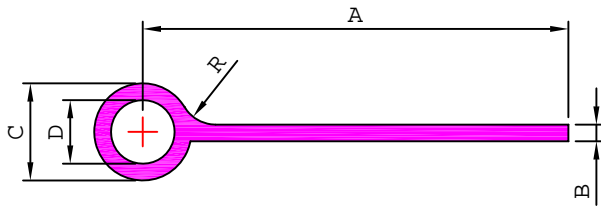


18429 9.487 kg/m





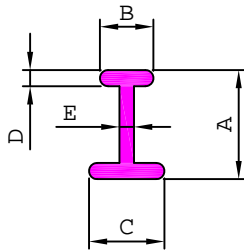
HASP & STAPLE



SL. No.	Section No.	A	B	C	D	R	Weight kg/m
1	18851	91.80	3.00	20.00	13.00	16.00	1.189
2	18852	115.50	3.80	24.80	16.50	18.00	1.822
3	18859	115.50	3.70	24.50	16.00	15.00	1.789
4	18860	117.00	3.90	25.15	16.00	15.00	1.930
5	18861	116.75	3.00	24.50	15.50	5.00	1.617

CURTAIN RAILS & CURTAIN RAILS SPECIAL

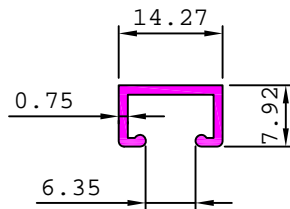
CURTAIN RAILS



SL. No.	Section No.	A	B	C	D	E	Weight kg/m
1	18963	14.50	5.20	5.20	0.70	0.70	0.044
2	18958	15.00	5.50	5.50	0.80	0.80	0.052
3	18965	32.00	16.00	16.00	1.50	1.50	0.247

19052

0.071 kg/m



19053

0.145 kg/m

