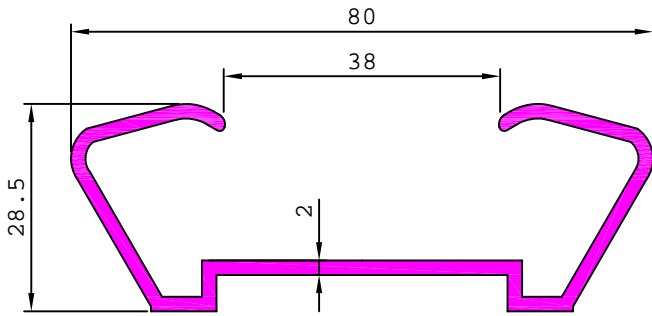
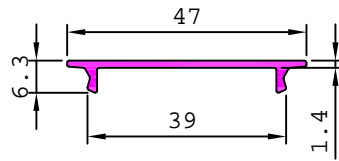


HAND RAILS

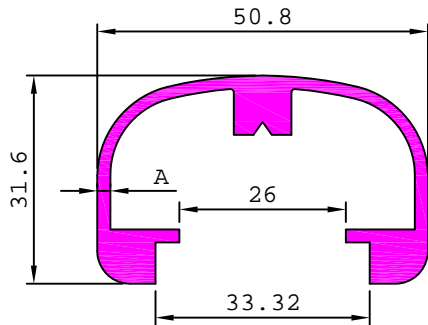
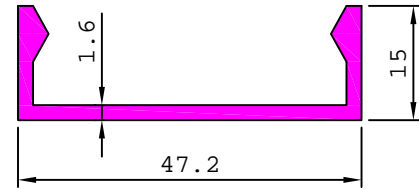
19204 0.851 kg/m



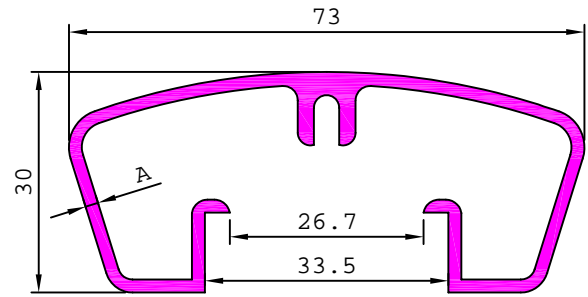
19205 0.221 kg/m



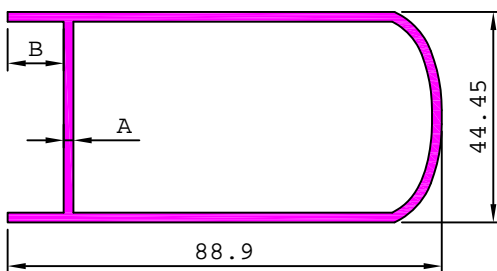
19209 0.364 kg/m



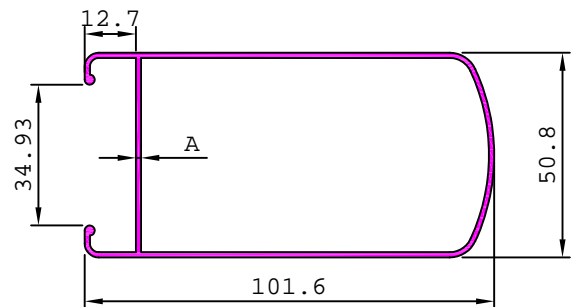
SL. No.	Section No.	A	Weight kg/m
1	19224	1.34	0.855
2	19223	1.92	0.975
3	19206	3.00	1.210



SL. No.	Section No.	A	Weight kg/m
1	19226	1.20	0.684
2	19225	1.65	0.854
3	19207	2.50	1.281

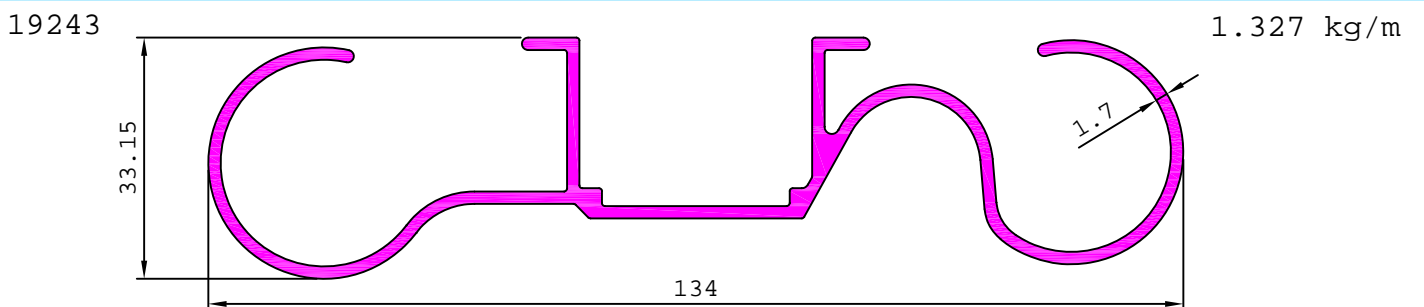
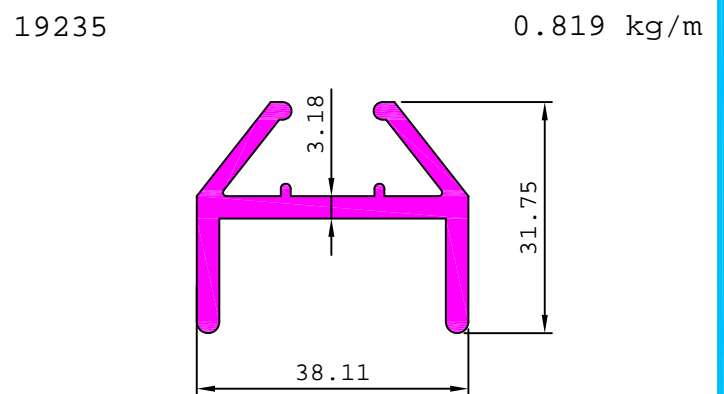
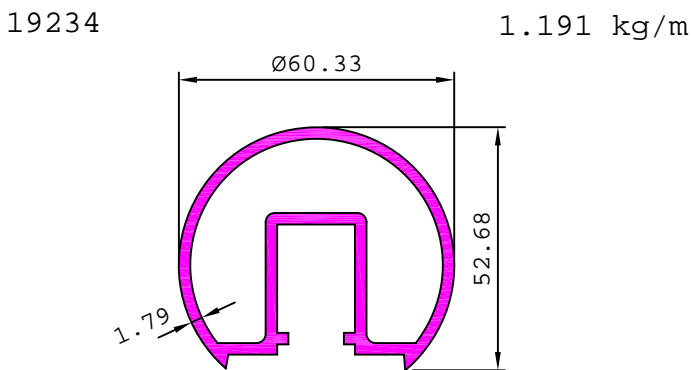
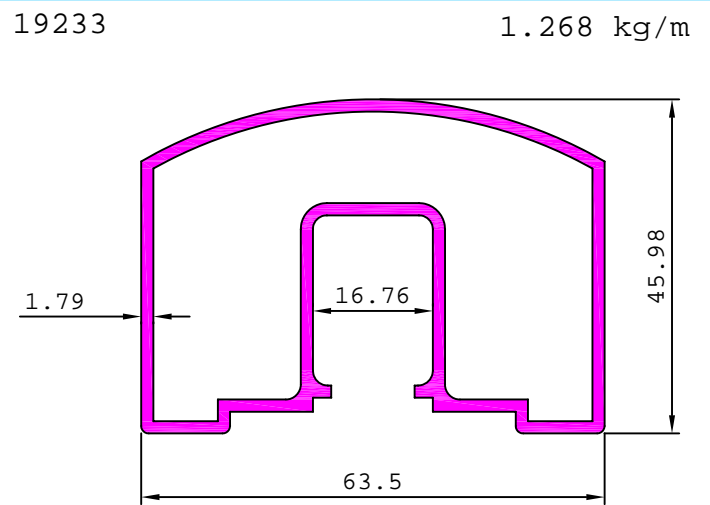
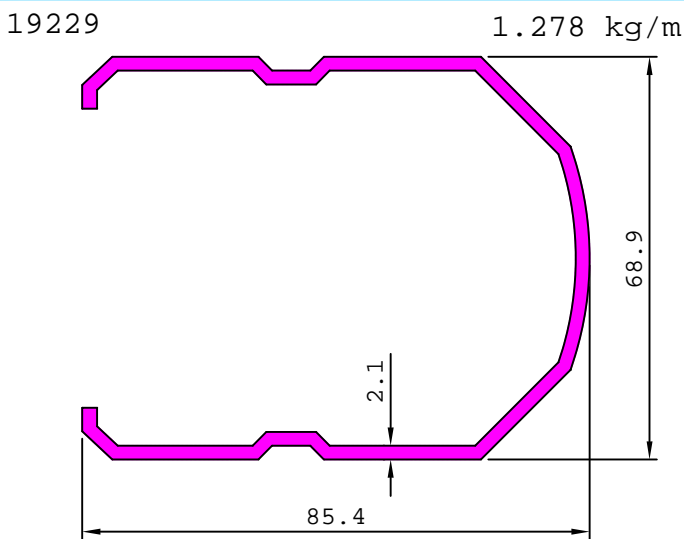
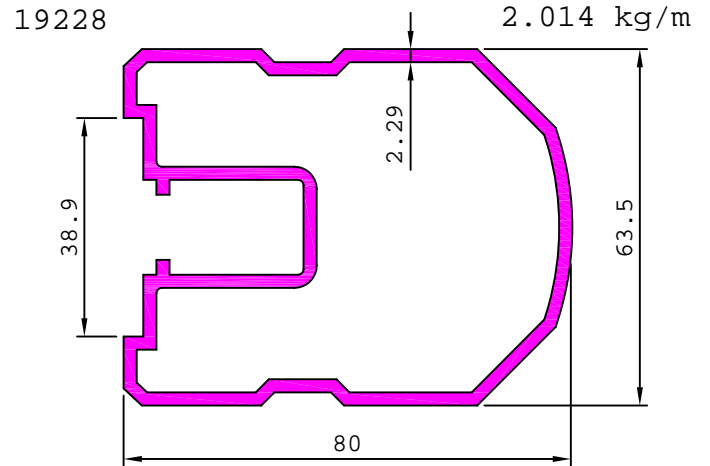
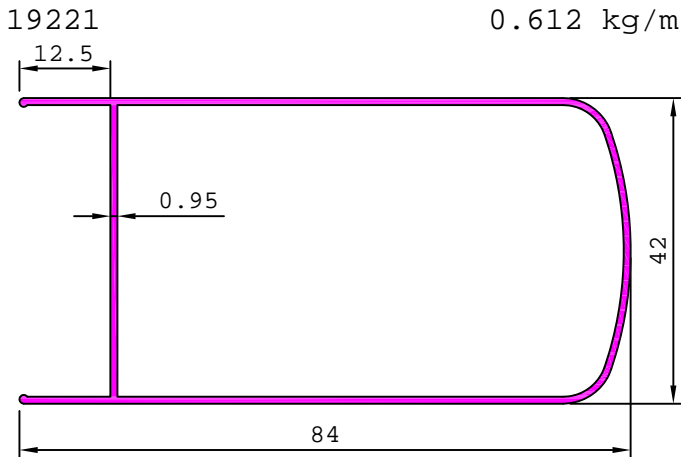


SL. No.	Section No.	A	B	Weight kg/m
1	19218	1.10	12.70	0.738
2	19217	1.15	12.50	0.765
3	19215	1.40	12.50	0.976



SL. No.	Section No.	A	Weight kg/m
1	19227	0.93	0.763
2	19222	1.19	0.970
3	19220	1.30	1.067

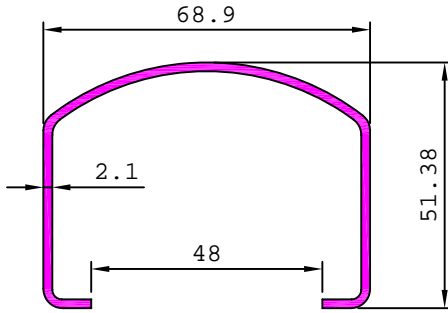
HAND RAILS



HAND RAILS

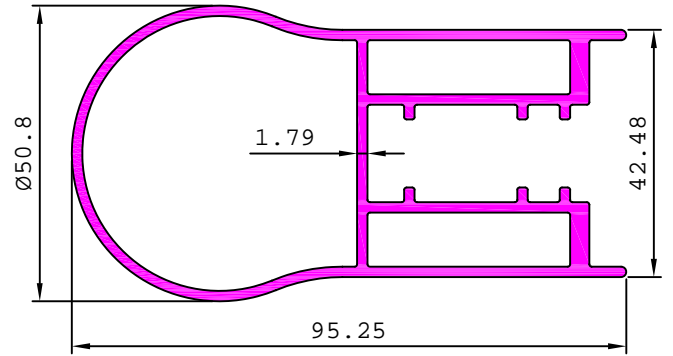
19236

0.926 kg/m



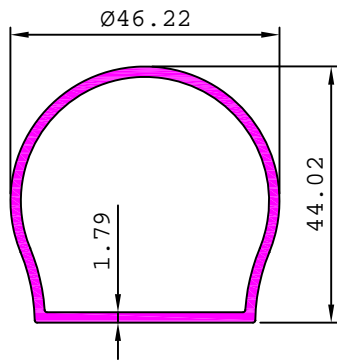
19240

1.847 kg/m



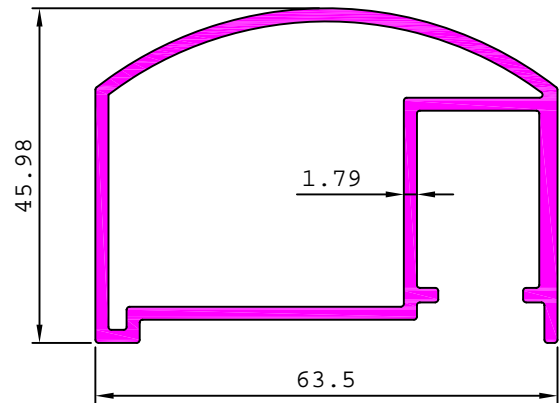
19241

0.711 kg/m



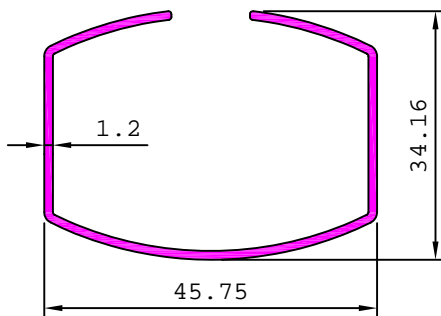
19242

1.179 kg/m



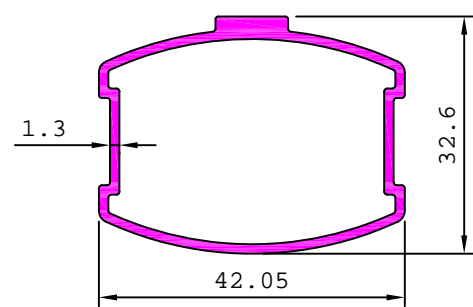
19245

0.409 kg/m



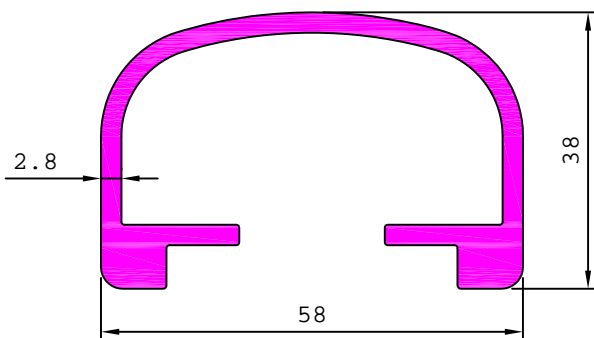
19246

0.509 kg/m



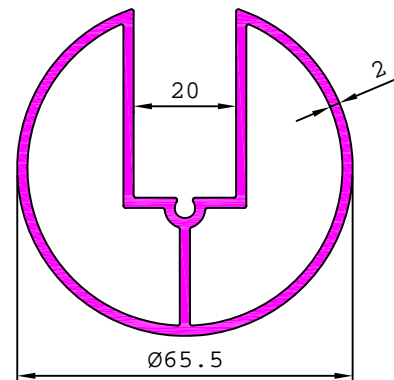
19244

1.290 kg/m



15276

1.604 kg/m

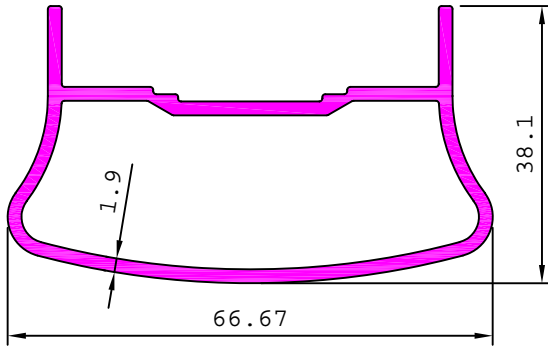




WALL FACINGS

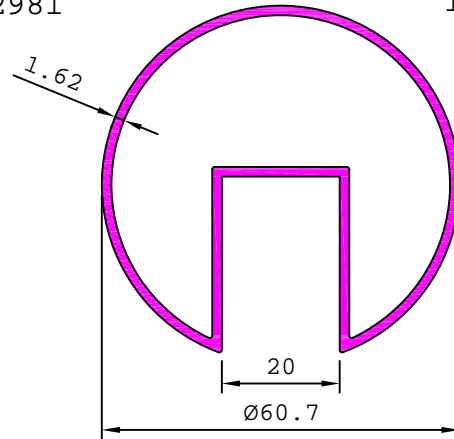
19247

0.946 kg/m



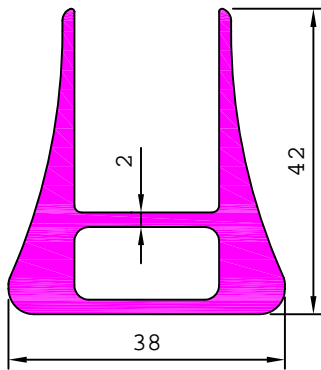
22981

1.069 kg/m



S6194

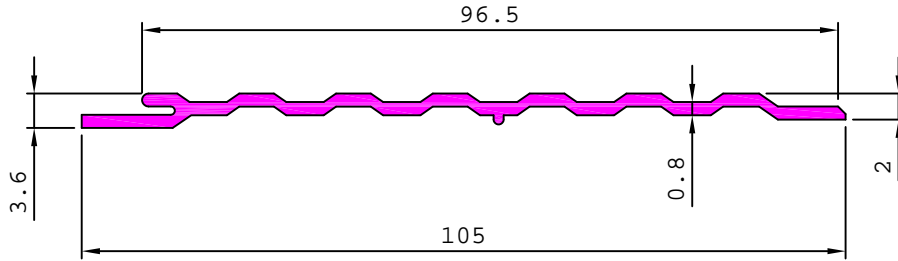
1.215 kg/m



WALL FACINGS

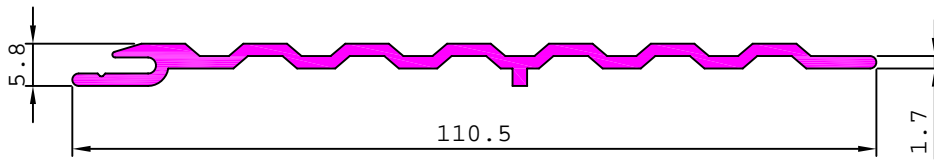
19304

0.303 kg/m



19305

0.607 kg/m



19306

3.748 kg/m

