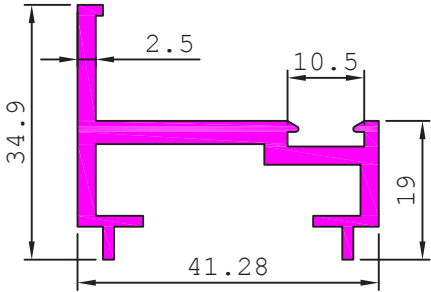


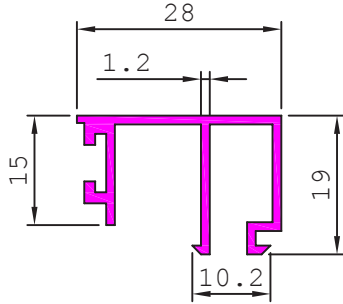
# DETAILS OF CASEMENT WINDOW SECTIONS

## SERIES - A

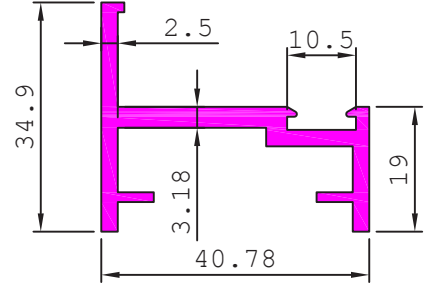
20628 0.714 kg/m



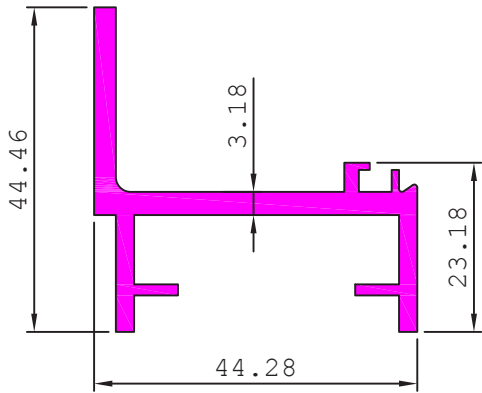
19359 0.301 kg/m



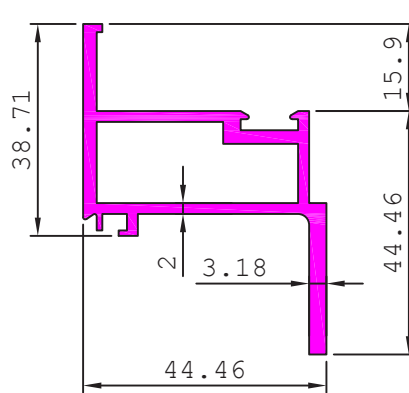
20629 0.711 kg/m



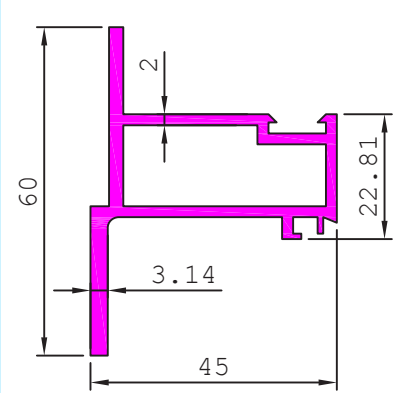
20630 0.889 kg/m



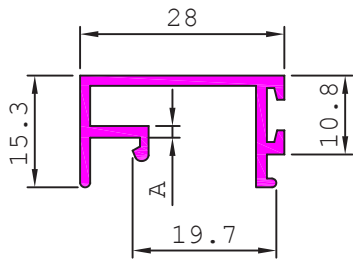
20641 1.072 kg/m



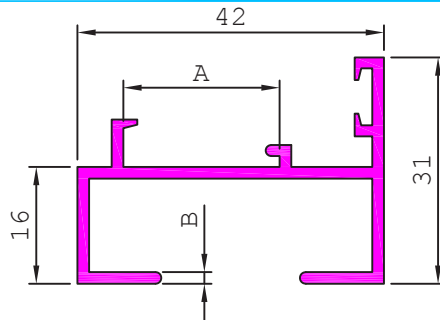
20727 1.053 kg/m



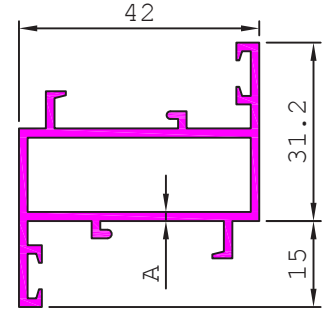
## SERIES - B



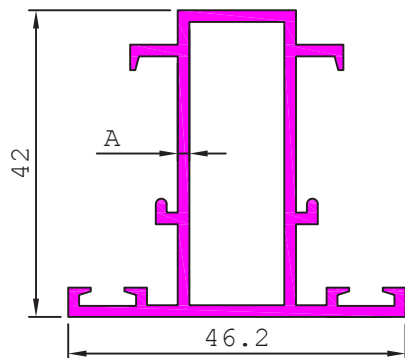
SL. No.	Section No.	A	Weight kg/m
1	19392	1.11	0.224
2	19391	1.60	0.289



SL. No.	Section No.	A	B	Weight kg/m
1	20942	22.10	1.25	0.434
2	20558	21.40	1.60	0.534



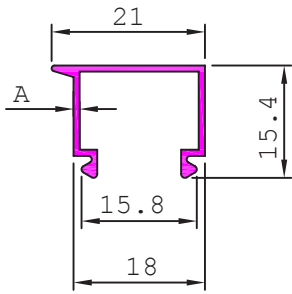
SL. No.	Section No.	A	Weight kg/m
1	20943	1.35	0.651
2	20559	1.50	0.724



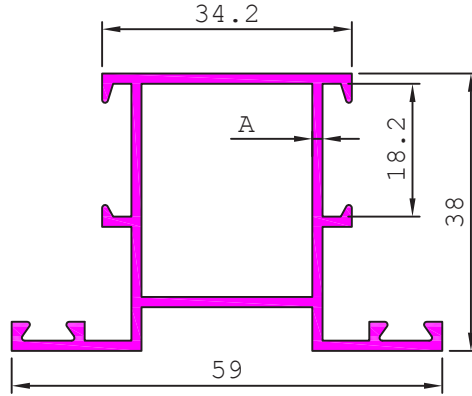
SL. No.	Section No.	A	Weight kg/m
1	20944	1.35	0.651
2	20560	1.60	0.758

# DETAILS OF CASEMENT WINDOW SECTIONS

## SERIES - C



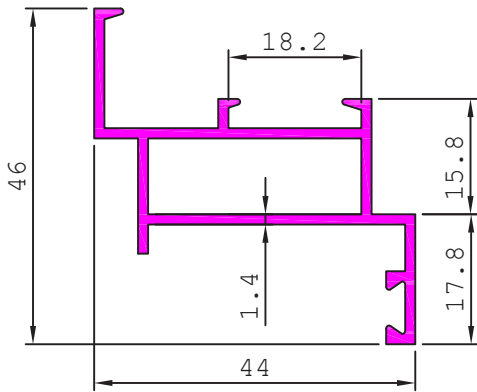
SL. No.	Section No.	A	Weight kg/m
1	19362	0.60	0.108
2	19369	0.85	0.137



SL. No.	Section No.	A	Weight kg/m
1	20720	1.40	0.729
2	21285	1.60	0.807
3	S5793	2.50	1.101

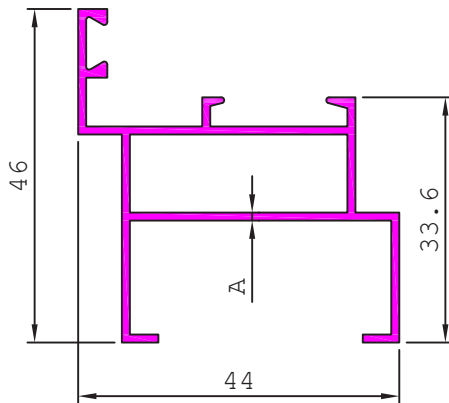
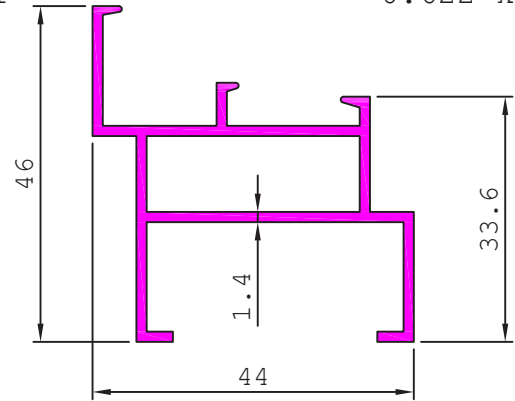
20719

0.575 kg/m



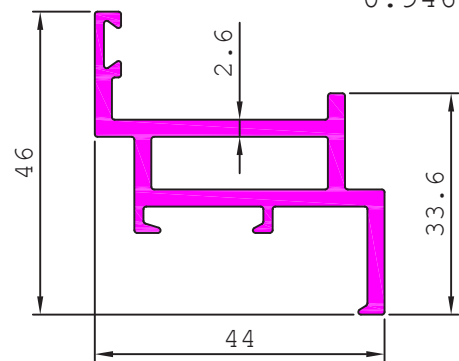
20721

0.622 kg/m



21252

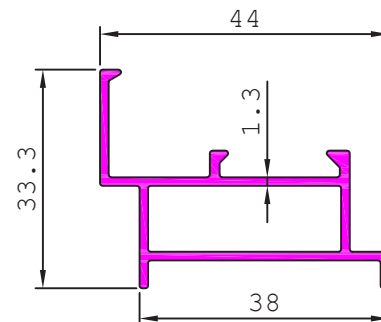
0.946 kg/m



SL. No.	Section No.	A	Weight kg/m
1	20903	1.10	0.522
2	21286	1.40	0.649
3	S5794	2.50	1.030

20935

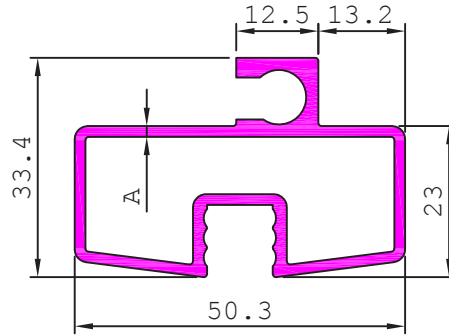
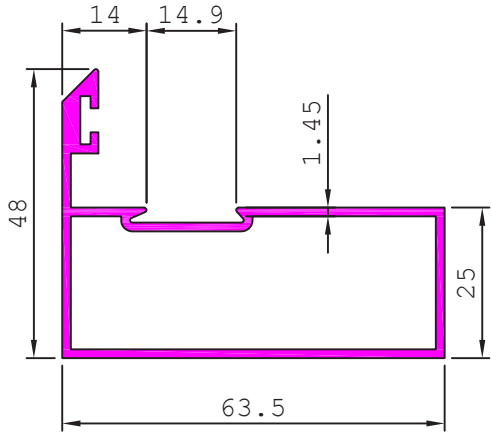
0.476 kg/m



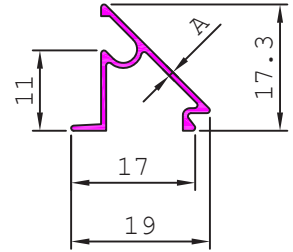
# DETAILS OF CASEMENT WINDOW SECTIONS

## SERIES - D

20824 0.870 kg/m

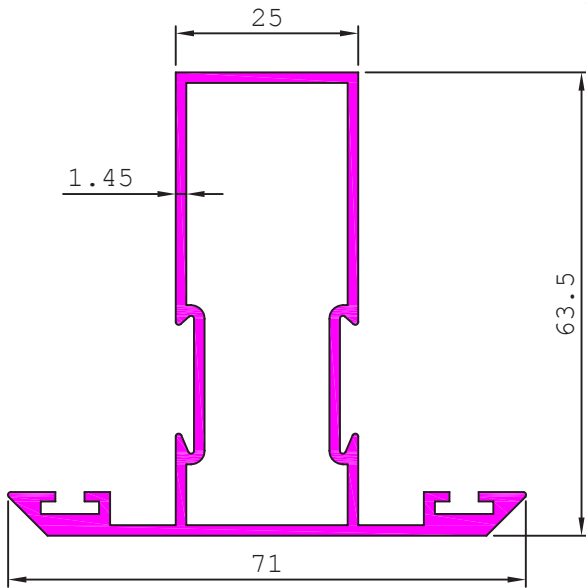


SL. No.	Section No.	A	Weight kg/m
1	20825	1.64	0.854
2	20642	2.00	0.997

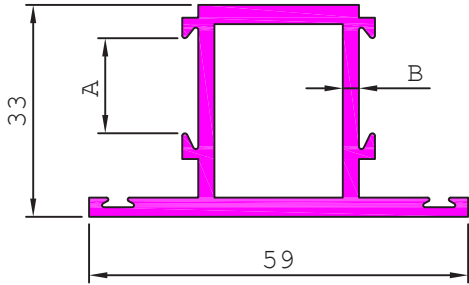


SL. No.	Section No.	A	Weight kg/m
1	19352	0.70	0.097
2	19370	0.80	0.109
3	19360	0.90	0.124

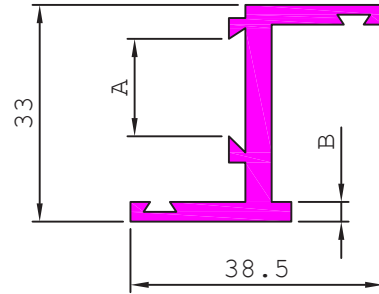
21310 1.071 kg/m



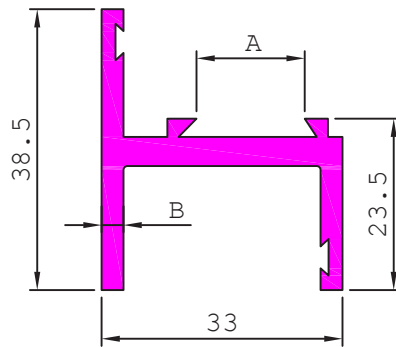
# DETAILS OF CASEMENT WINDOW SECTIONS ( SERIES -33 mm. )



SL. No.	Section No.	A	B	Weight kg/m
1	20941	14.80	2.10	0.851
2	20510	14.82	2.50	1.123

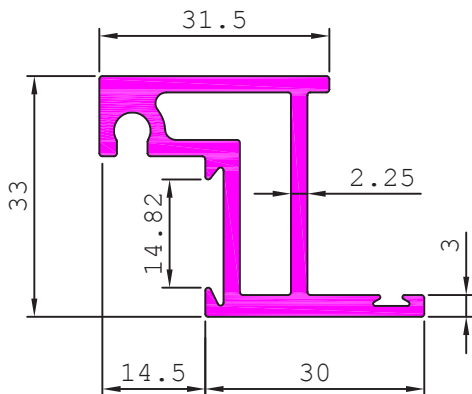


SL. No.	Section No.	A	B	Weight kg/m
1	20940	14.80	1.95	0.407
2	20509	14.82	3.00	0.663

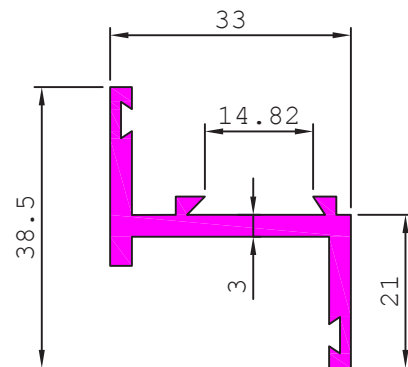


SL. No.	Section No.	A	B	Weight kg/m
1	20949	14.80	2.03	0.497
2	20948	14.80	2.56	0.606
3	20585	14.82	3.00	0.776

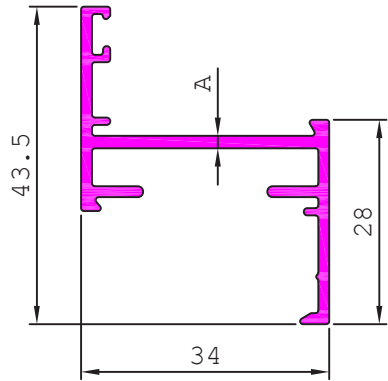
20512 0.914 kg/m



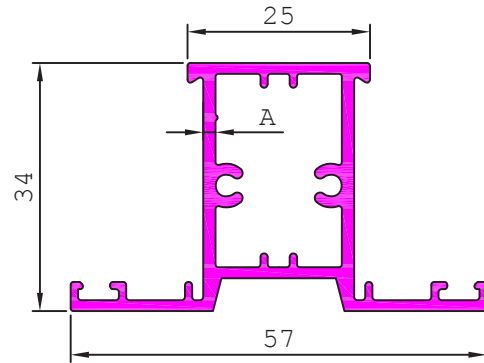
20640 0.590 kg/m



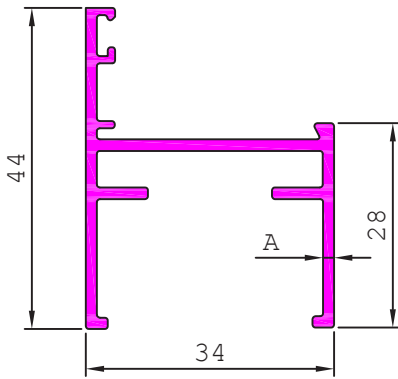
# DETAILS OF CASEMENT WINDOW SECTIONS ( SERIES -34 mm. )



SL. No.	Section No.	A	Weight kg/m
1	20914	1.70	0.473
2	21095	2.00	0.548



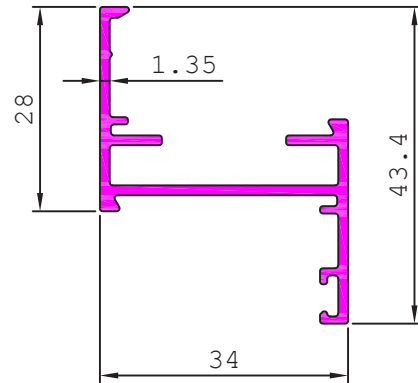
SL. No.	Section No.	A	Weight kg/m
1	21140	1.40	0.701
2	20915	1.70	0.766
3	21097	2.00	0.924



SL. No.	Section No.	A	Weight kg/m
1	21141	1.35	0.473
2	20913	1.50	0.527
3	21096	2.00	0.635

21142

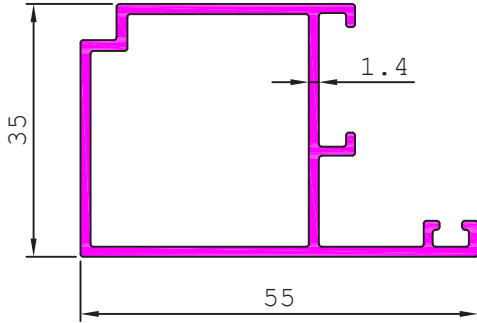
0.425 kg/m



# DETAILS OF CASEMENT WINDOW SECTIONS ( SERIES -35 mm. )

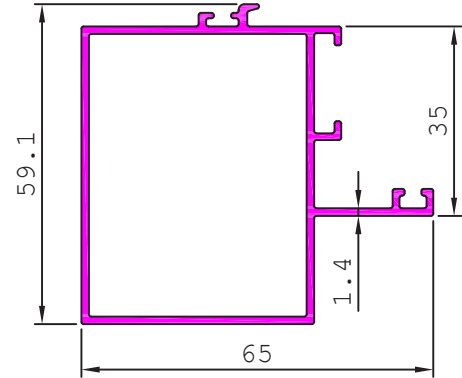
21523

0.656 kg/m



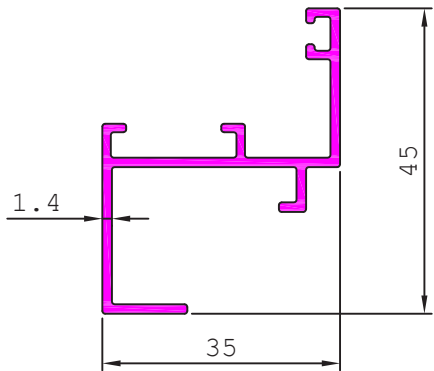
21524

0.923 kg/m



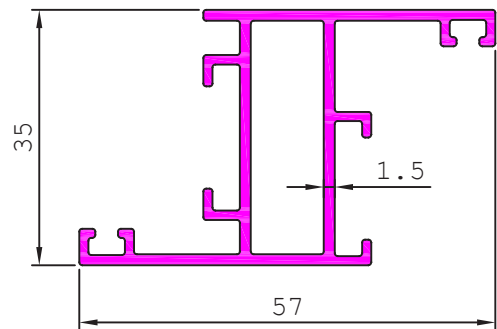
21536

0.453 kg/m



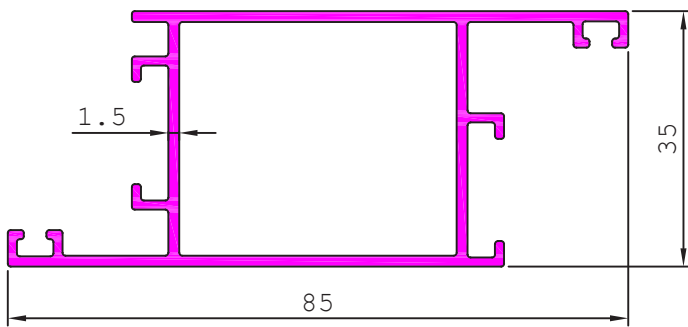
21537

0.725 kg/m



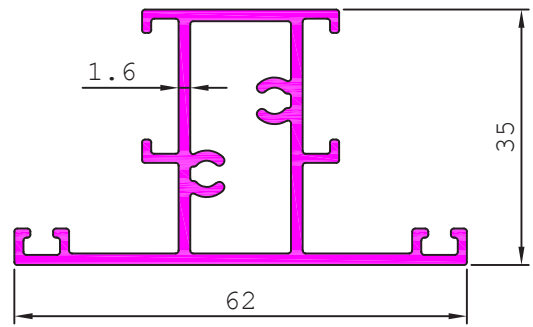
21538

0.945 kg/m



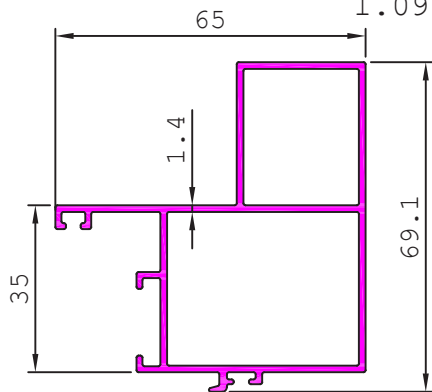
21547

0.839 kg/m



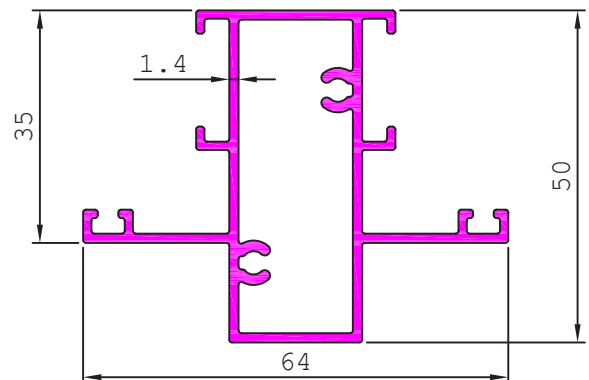
21544

1.090 kg/m



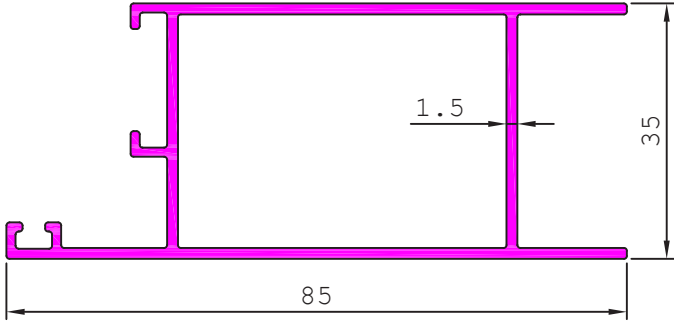
21560

0.921 kg/m

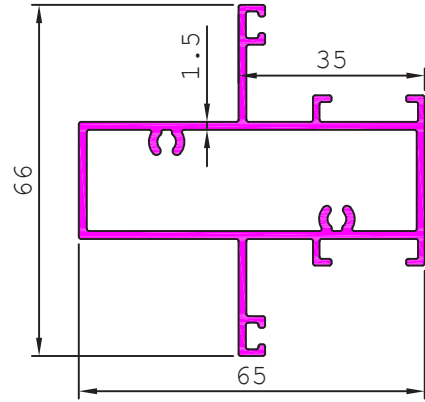


# DETAILS OF CASEMENT WINDOW SECTIONS ( SERIES -35 mm. )

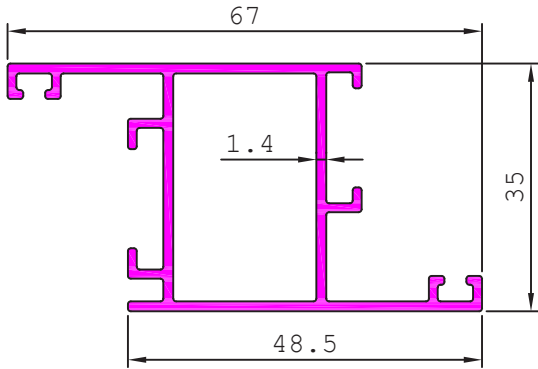
21573 0.936 kg/m



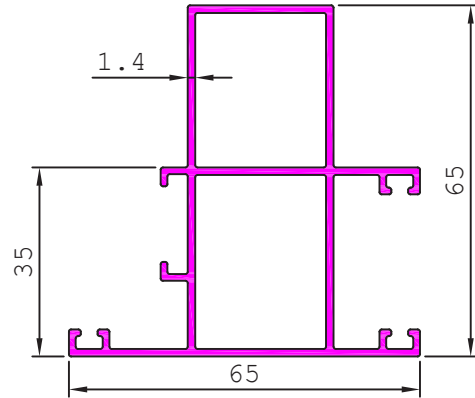
21551 1.101 kg/m



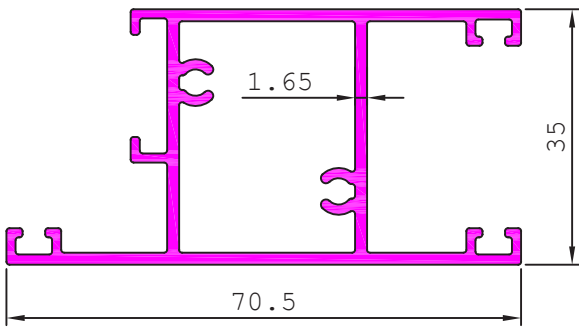
21567 0.768 kg/m



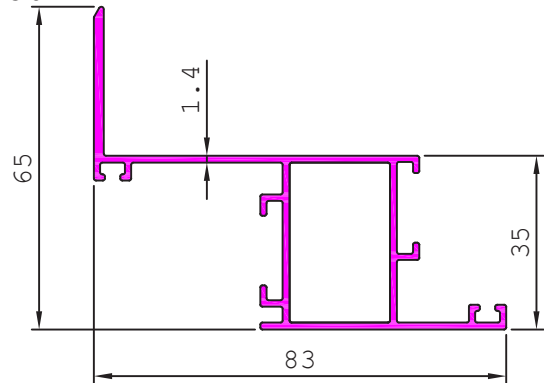
21561 1.111 kg/m



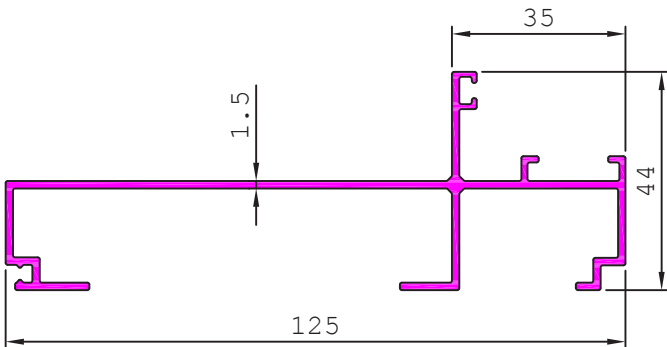
21690 1.015 kg/m



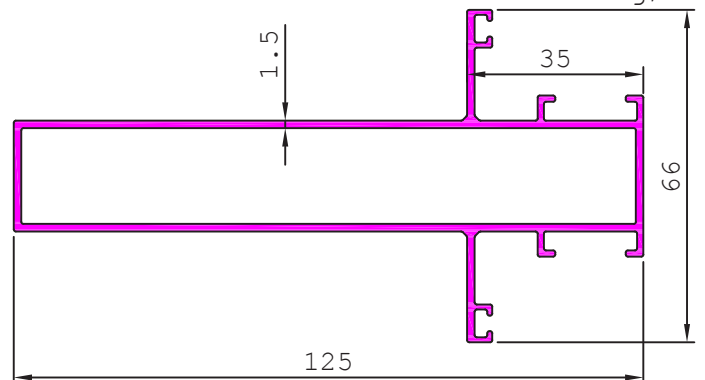
S5436 0.979 kg/m



S5528 1.080 kg/m



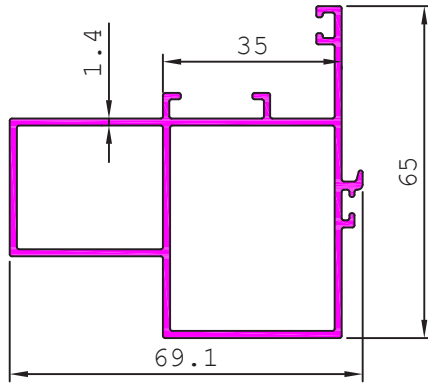
S5529 1.498 kg/m



# DETAILS OF CASEMENT WINDOW SECTIONS ( SERIES -35 mm. )

21413

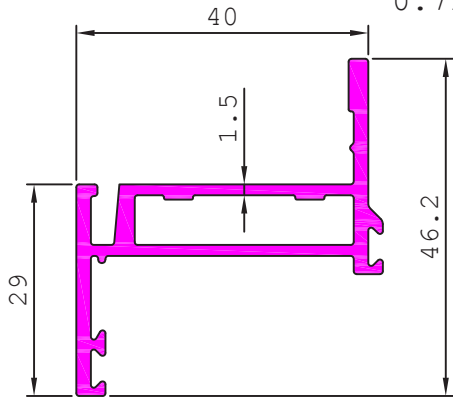
1.090 kg/m



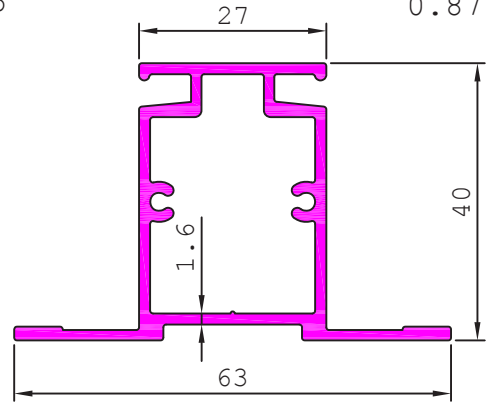


# DETAILS OF CASEMENT WINDOW SECTIONS ( SERIES -40 mm. )

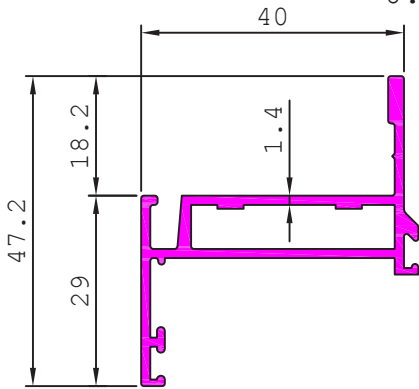
20899 0.715 kg/m



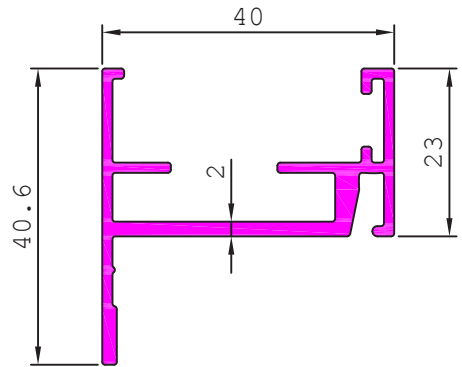
20916 0.877 kg/m



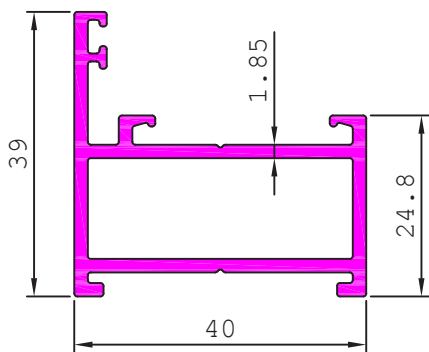
20918 0.606 kg/m



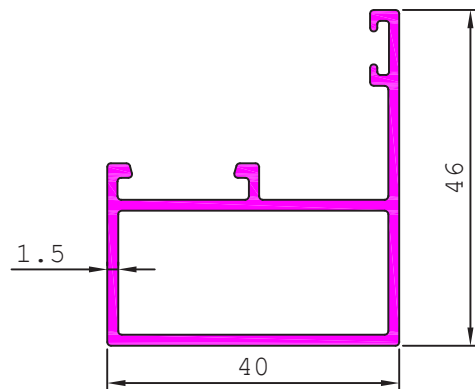
20919 0.607 kg/m



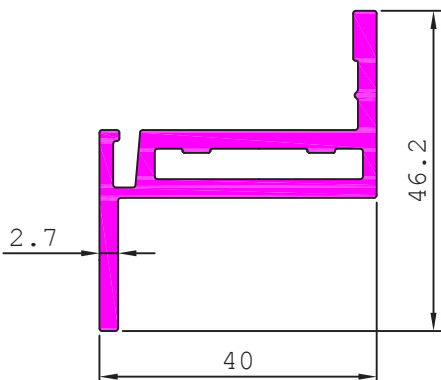
21284 0.767 kg/m



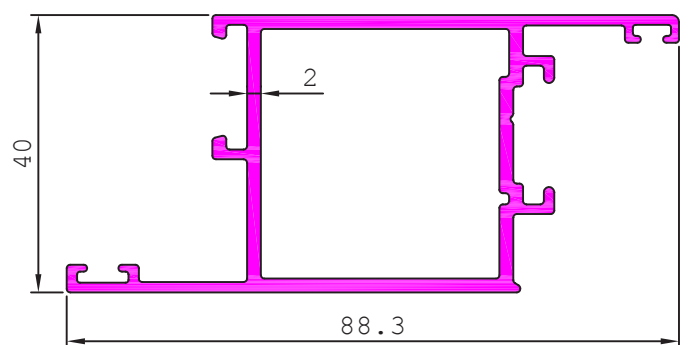
21829 0.651 kg/m



21613 0.920 kg/m



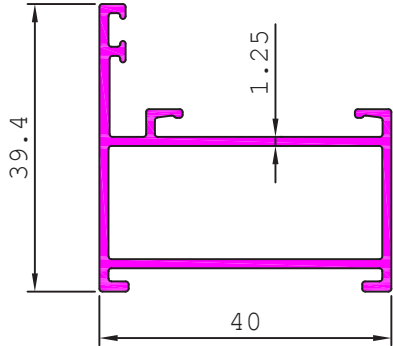
21836 1.183 kg/m



# DETAILS OF CASEMENT WINDOW SECTIONS ( SERIES -40 mm. )

S5180

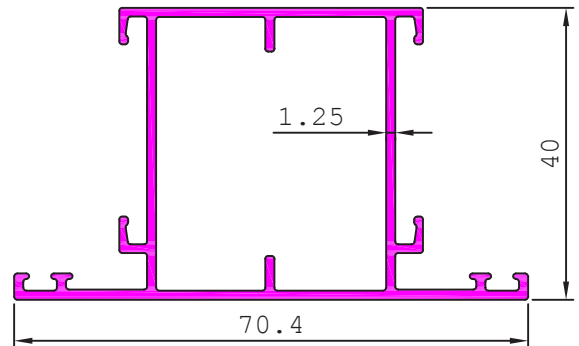
0.550 kg/m



MATCHING SECTION S5179

S5181

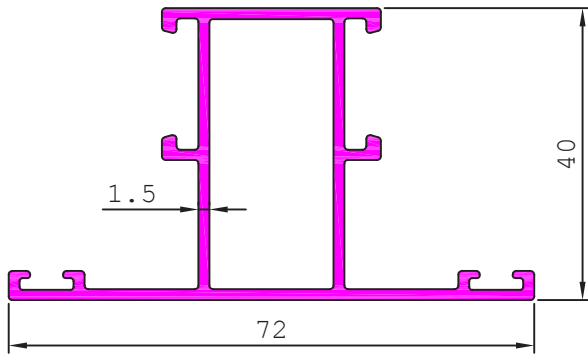
0.782 kg/m



MATCHING SECTION S5179

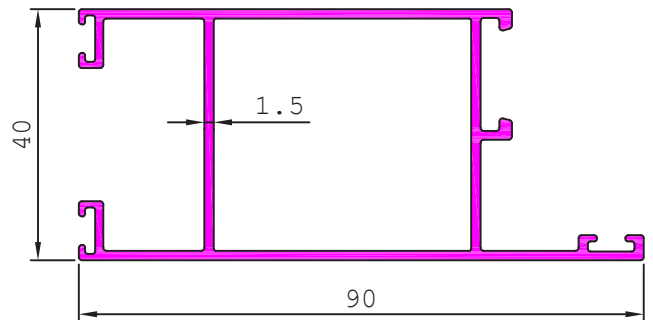
21838

0.840 kg/m



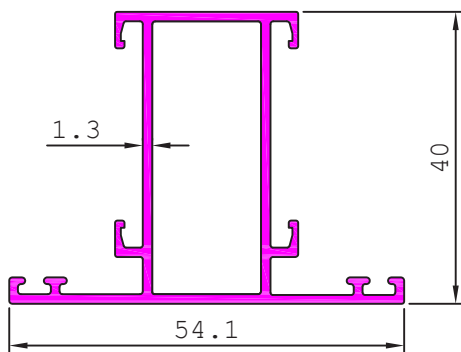
21839

1.085 kg/m



21801

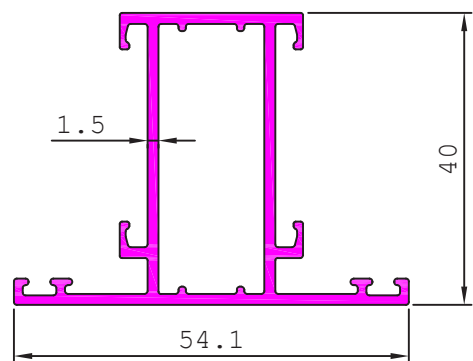
0.648 kg/m



MATCHING SECTION S5179

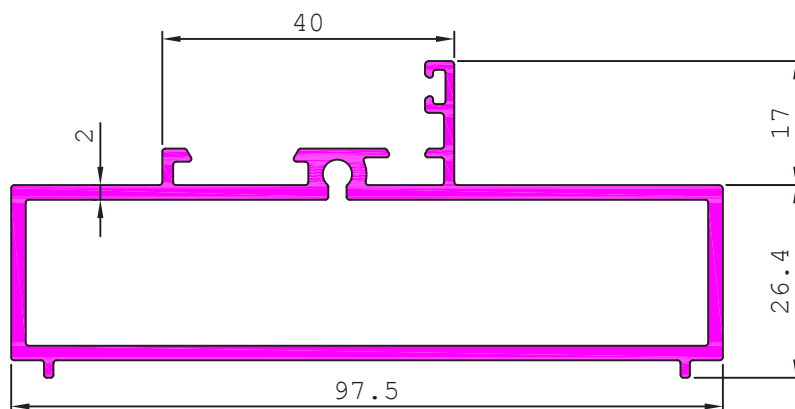
21845

0.736 kg/m



S6321

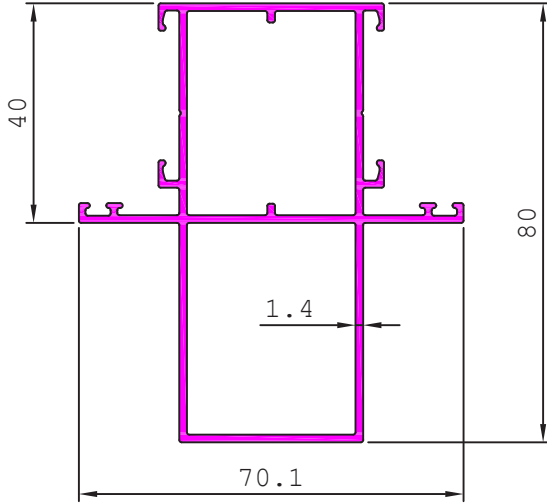
1.489 kg/m



# DETAILS OF CASEMENT WINDOW SECTIONS ( SERIES -40 mm. )

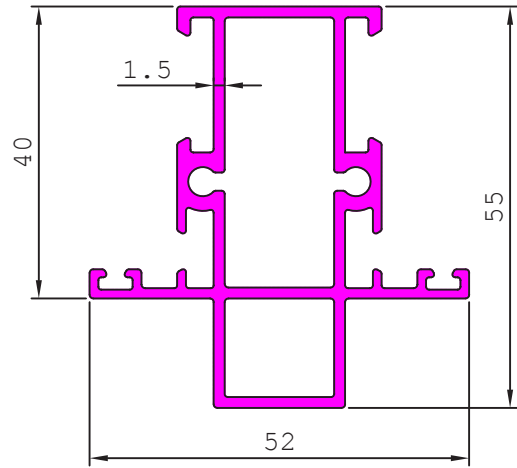
21846

1.240 kg/m



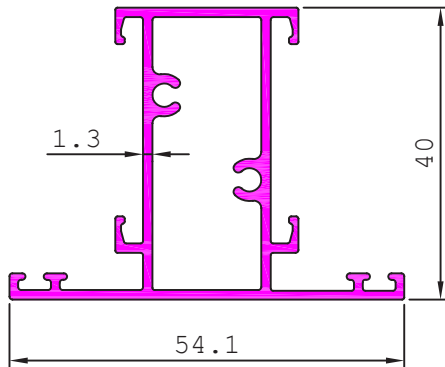
S6320

1.042 kg/m



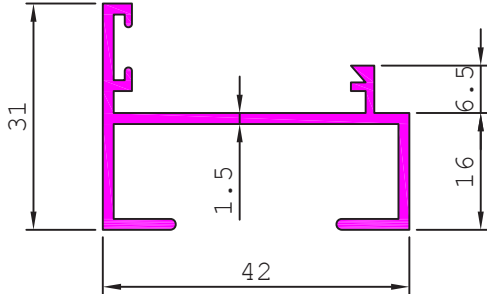
S6353

0.709 kg/m

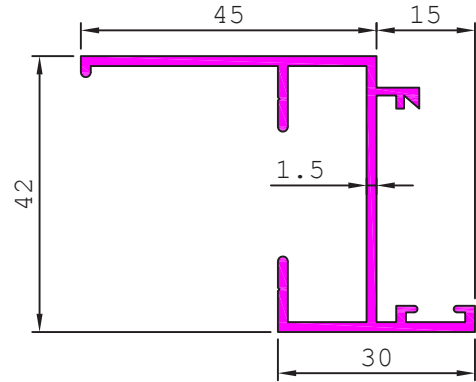


# DETAILS OF CASEMENT WINDOW SECTIONS ( SERIES -42 mm. )

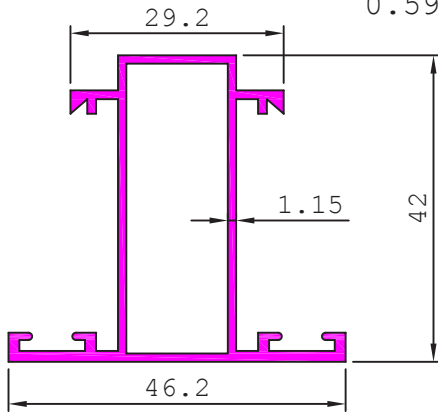
20759 0.483 kg/m



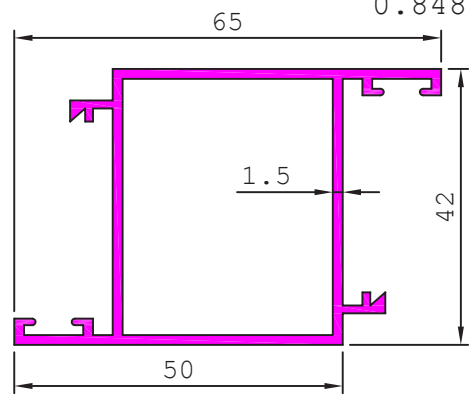
20760 0.610 kg/m



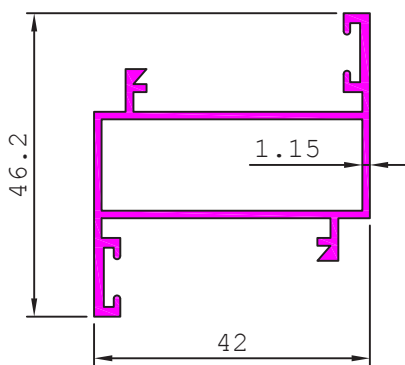
20761 0.591 kg/m



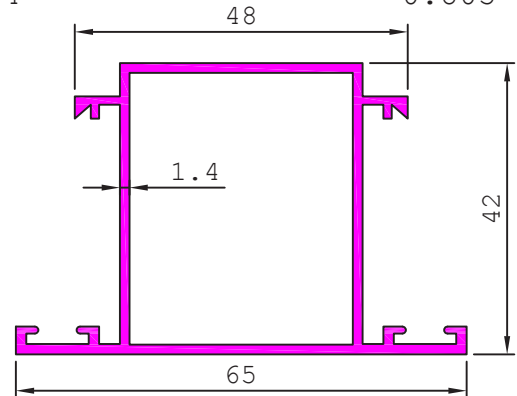
20762 0.848 kg/m



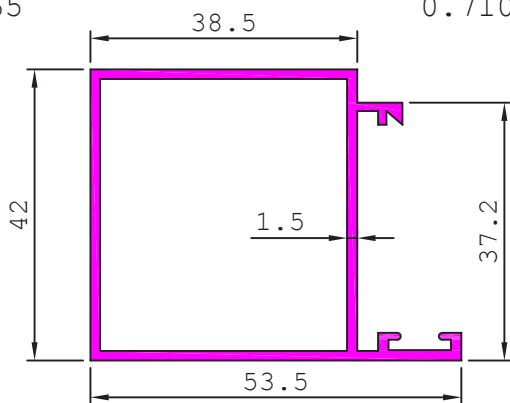
20763 0.591 kg/m



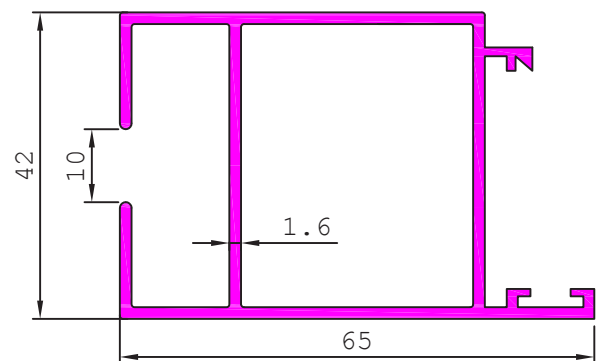
20764 0.805 kg/m



20765 0.710 kg/m

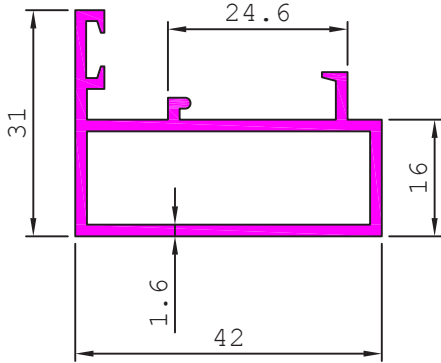


21039 1.018 kg/m

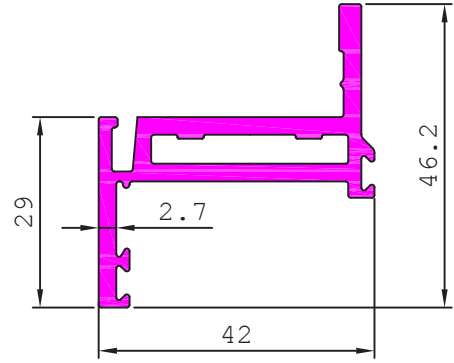


# DETAILS OF CASEMENT WINDOW SECTIONS ( SERIES -42 mm. )

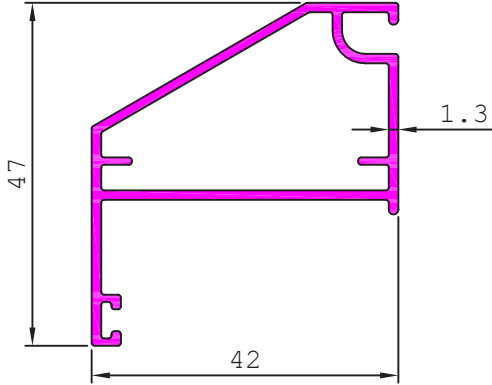
21086 0.613 kg/m



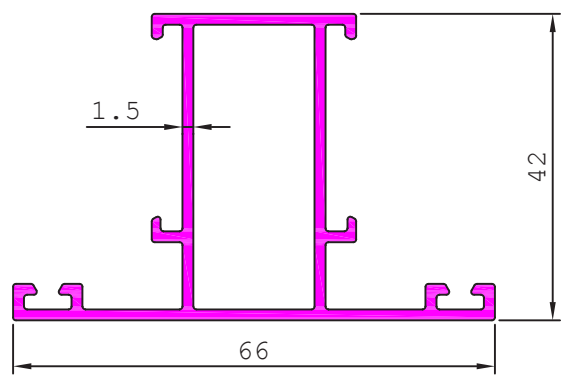
21313 0.978 kg/m



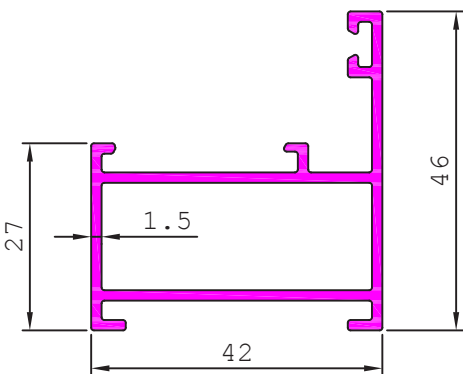
21667 0.569 kg/m



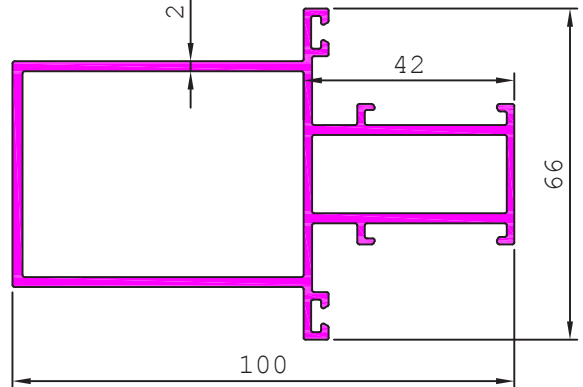
21336 0.841 kg/m



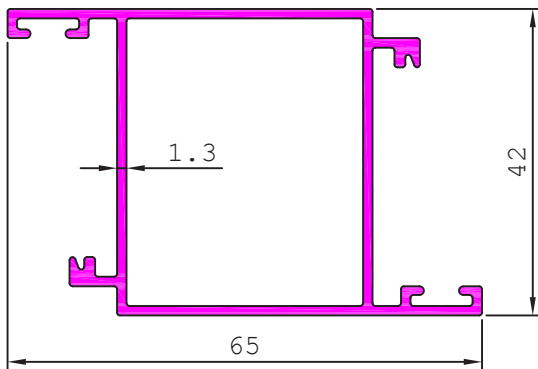
21337 0.712 kg/m



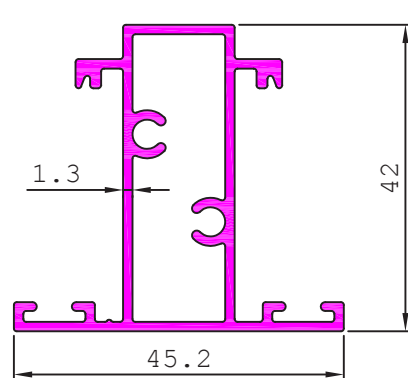
21338 1.817 kg/m



21577 0.776 kg/m

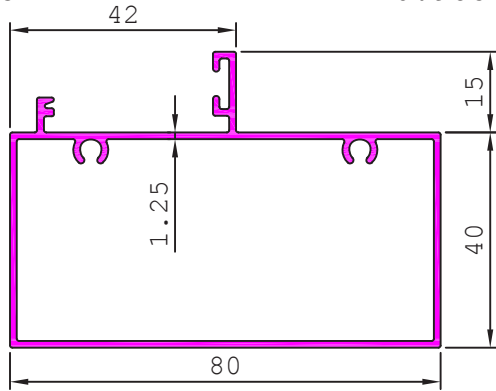


21579 0.709 kg/m

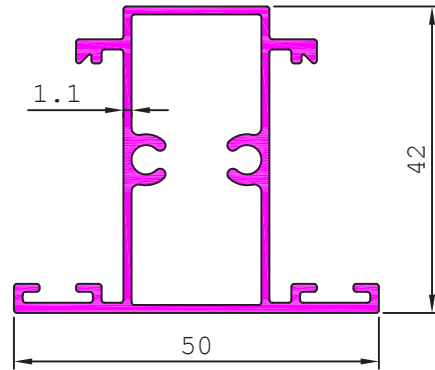


# DETAILS OF CASEMENT WINDOW SECTIONS ( SERIES -42 mm. )

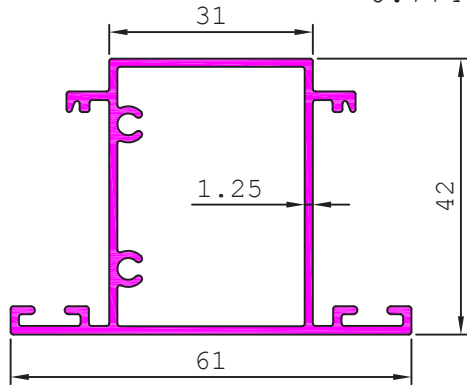
21623 0.985 kg/m



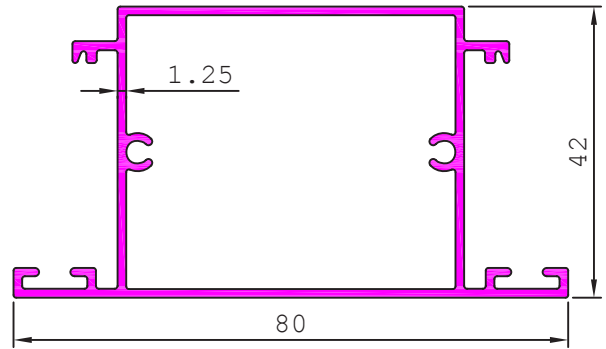
21724 0.695 kg/m



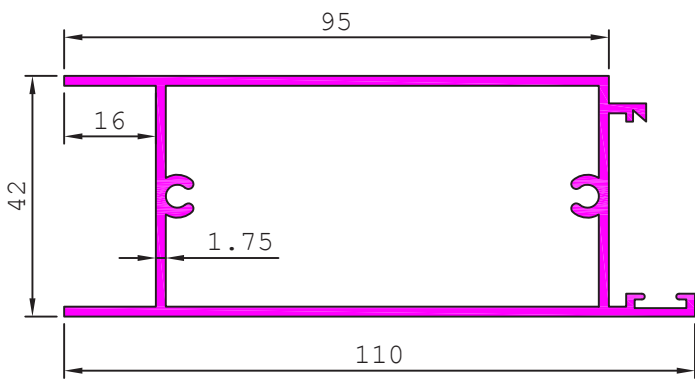
21624 0.774 kg/m



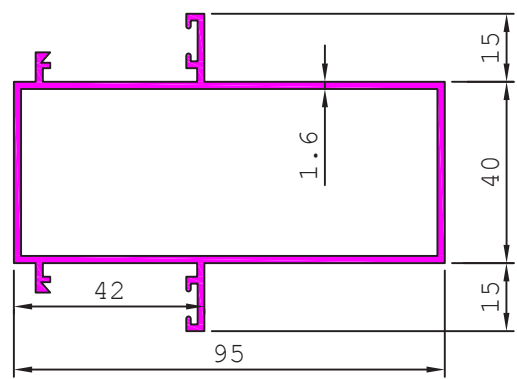
21625 0.902 kg/m



20792 1.488 kg/m

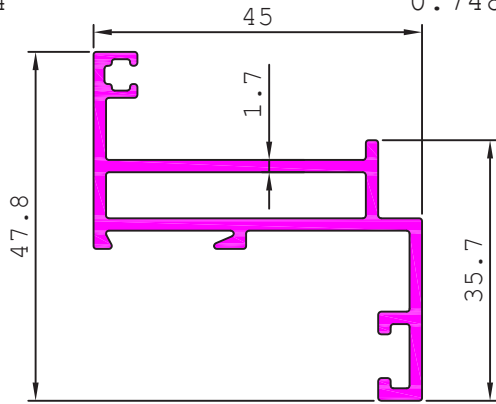


20794 1.394 kg/m

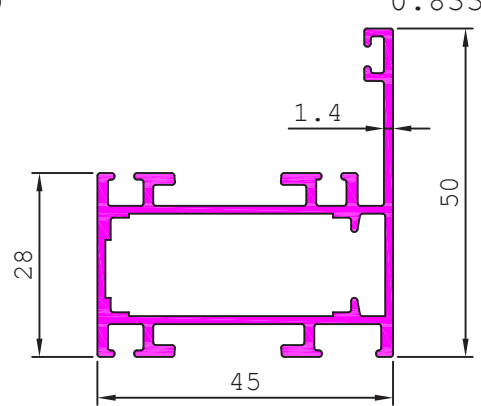


# DETAILS OF CASEMENT WINDOW SECTIONS ( SERIES -45 mm. )

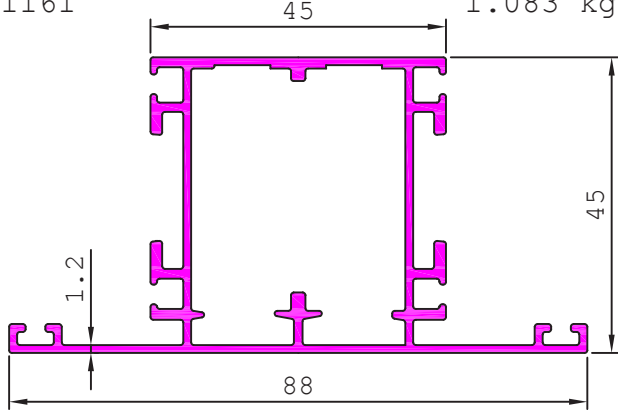
21104 0.748 kg/m



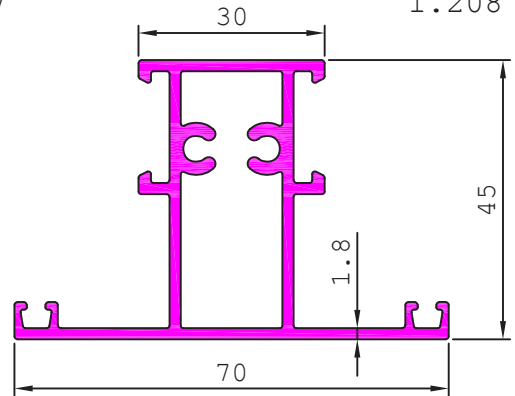
21160 0.833 kg/m



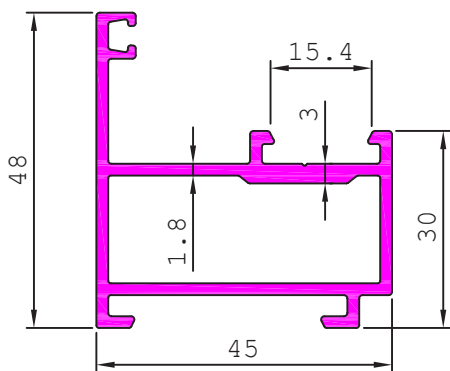
21161 1.083 kg/m



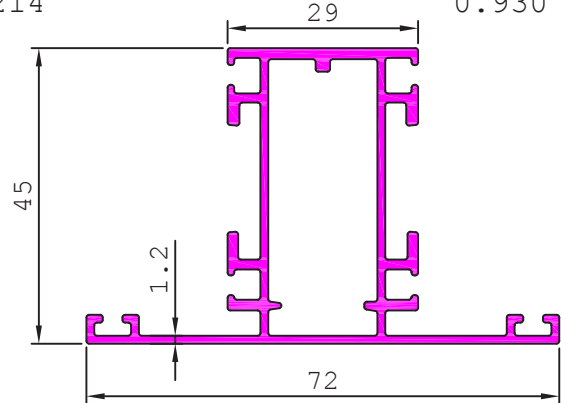
21187 1.208 kg/m



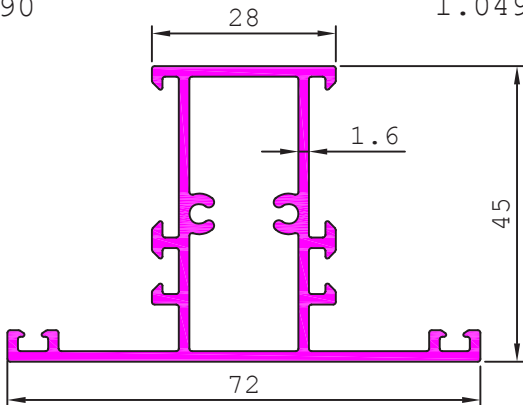
21185 0.945 kg/m



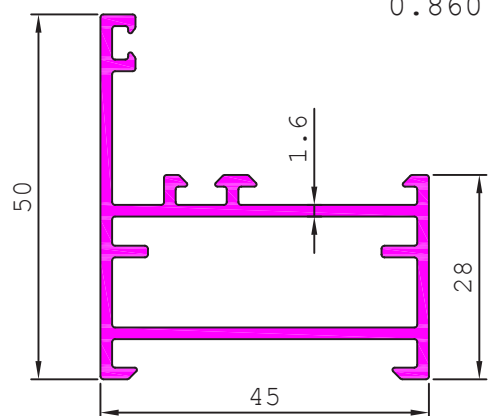
21214 0.930 kg/m



21290 1.049 kg/m

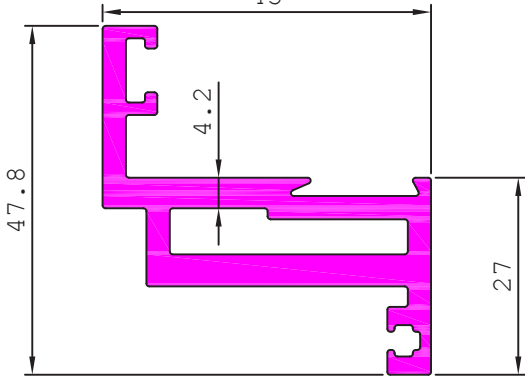


21292 0.860 kg/m

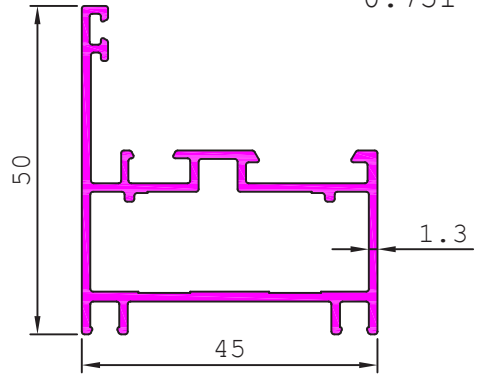


# DETAILS OF CASEMENT WINDOW SECTIONS ( SERIES -45 mm. )

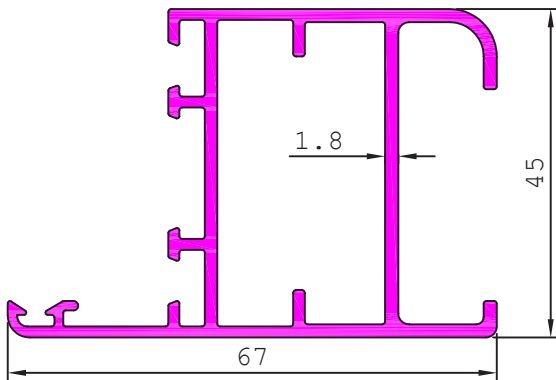
21226 45 1.418 kg/m



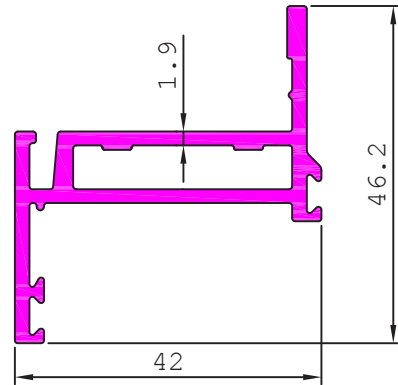
21593 0.751 kg/m



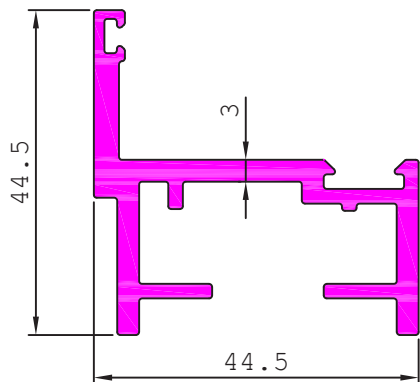
21586 1.104 kg/m



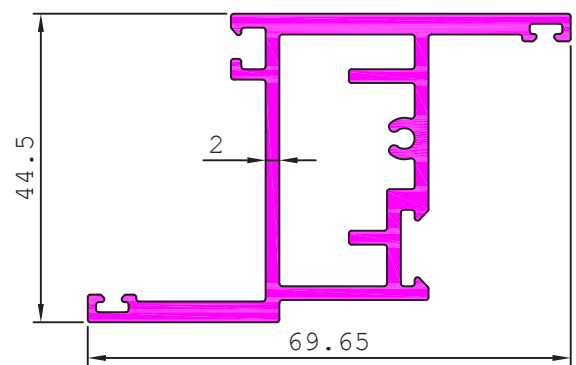
21693 0.784 kg/m



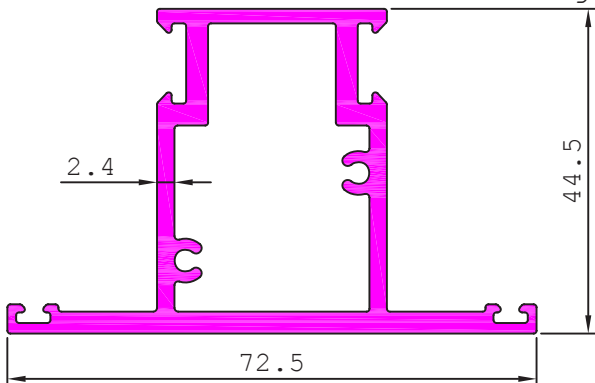
21694 1.026 kg/m



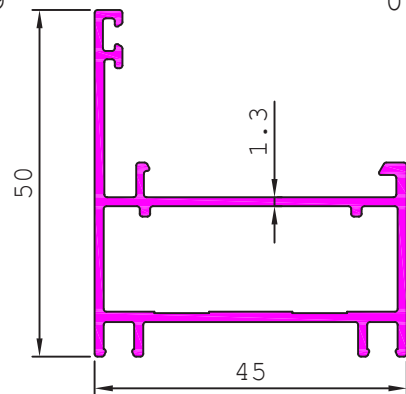
21695 1.297 kg/m



21696 1.448 kg/m



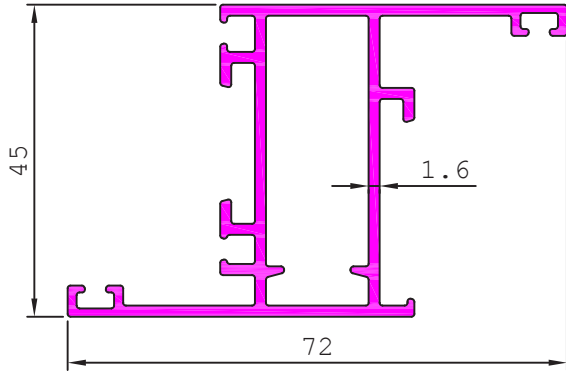
21699 0.697 kg/m



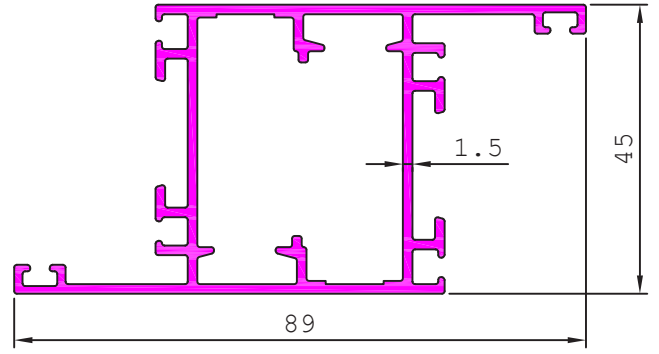


# DETAILS OF CASEMENT WINDOW SECTIONS ( SERIES -45 mm. )

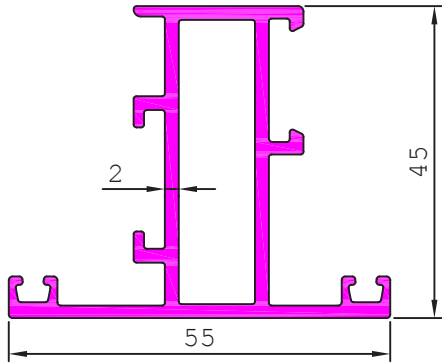
21744 0.994 kg/m



21745 1.244 kg/m

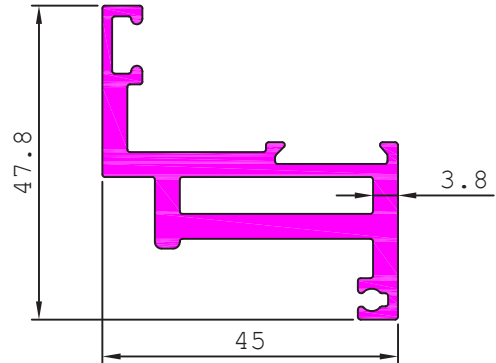


21825 1.026 kg/m

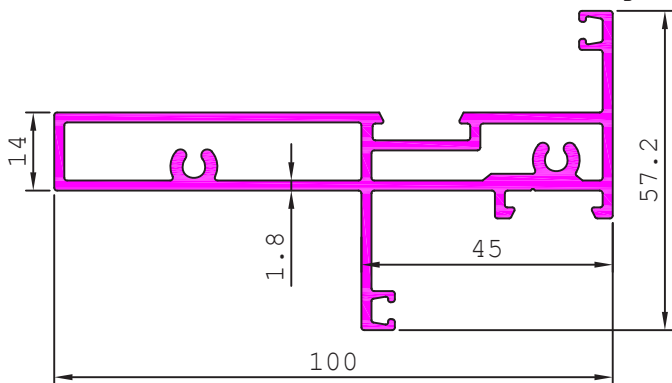


MATCHING SECTION S5771

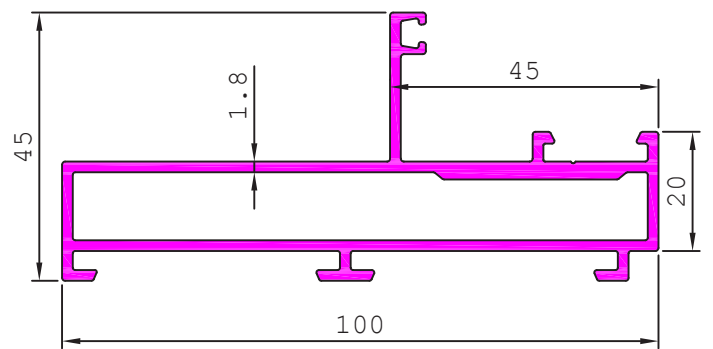
21477 1.247 kg/m



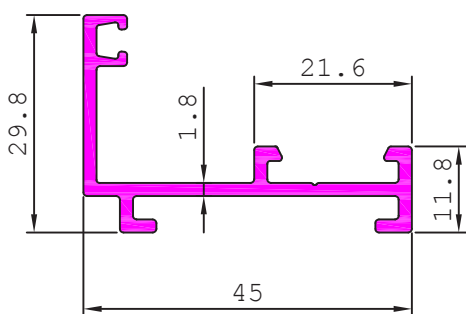
21192 1.691 kg/m



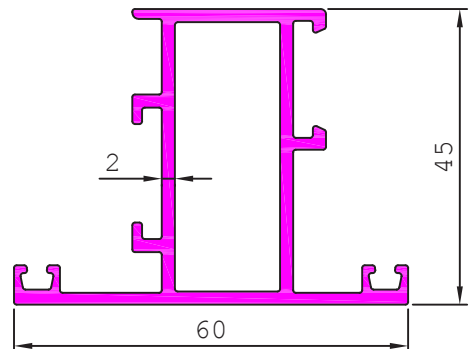
21188 1.548 kg/m



21196 0.509 kg/m



S6183 1.081 kg/m

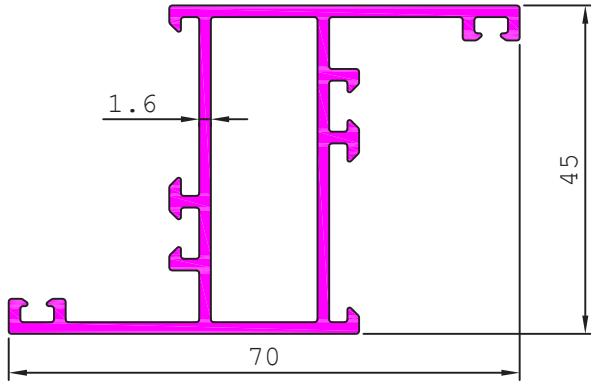


MATCHING SECTION S5771

# DETAILS OF CASEMENT WINDOW SECTIONS ( SERIES -45 mm. )

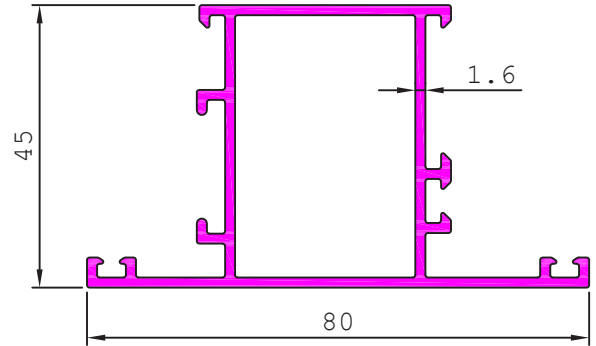
S6382

0.964 kg/m



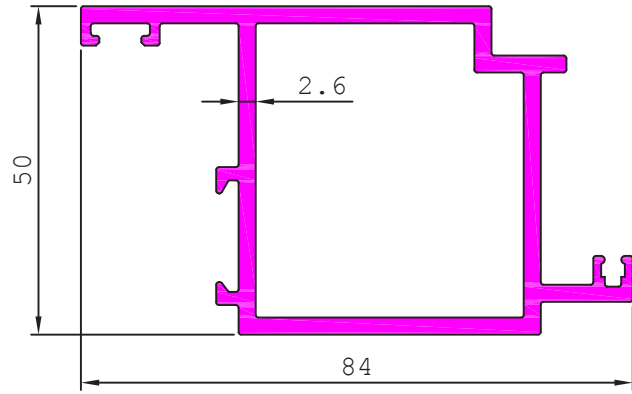
S6383

1.071 kg/m

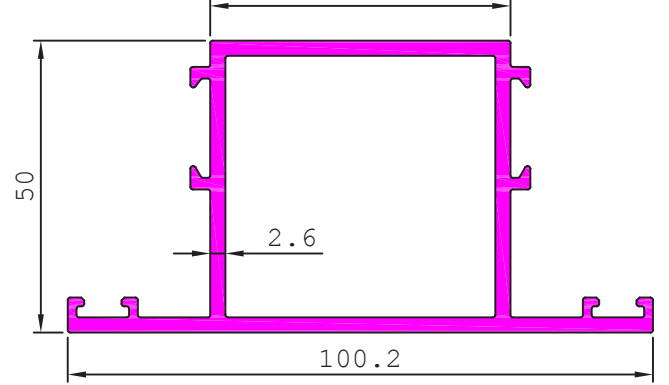


# DETAILS OF CASEMENT WINDOW SECTIONS ( SERIES -50 mm. )

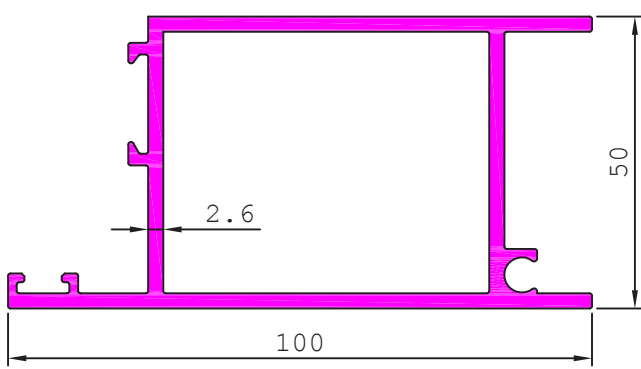
21234 1.689 kg/m



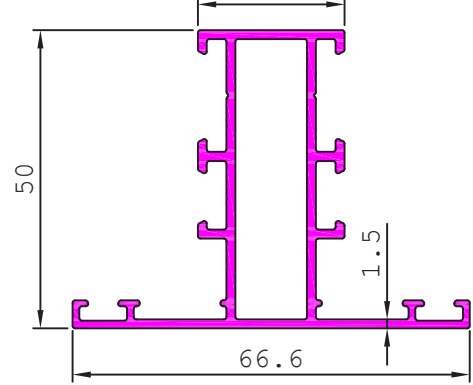
21235 1.867 kg/m



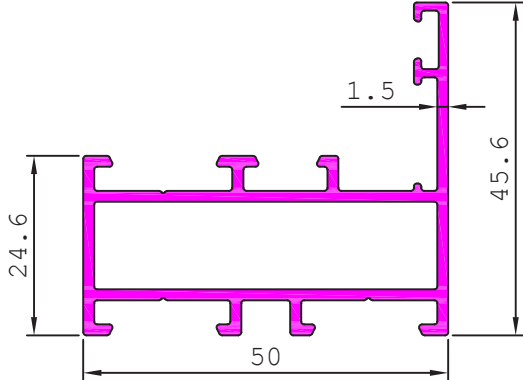
21236 1.990 kg/m



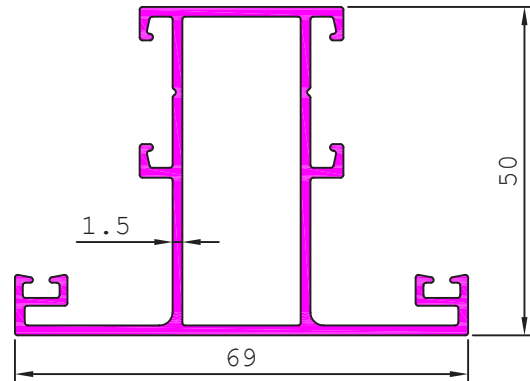
21352 0.946 kg/m



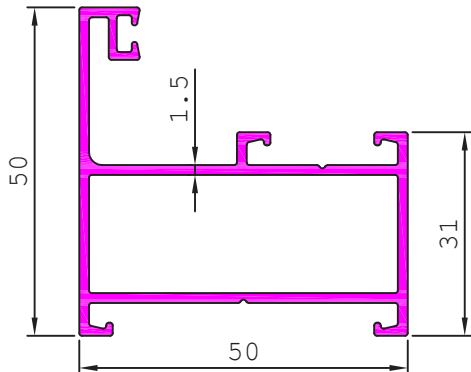
21314 0.834 kg/m



21400 1.023 kg/m



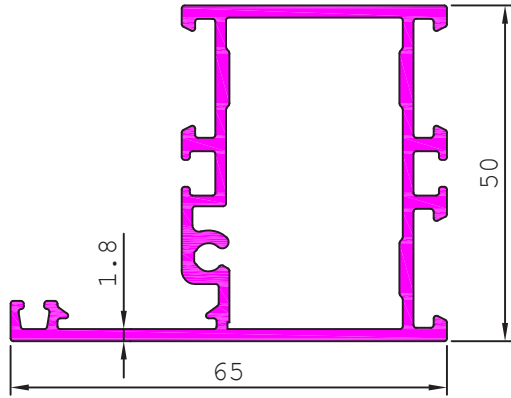
21482 0.855 kg/m



# DETAILS OF CASEMENT WINDOW SECTIONS ( SERIES -50 mm. )

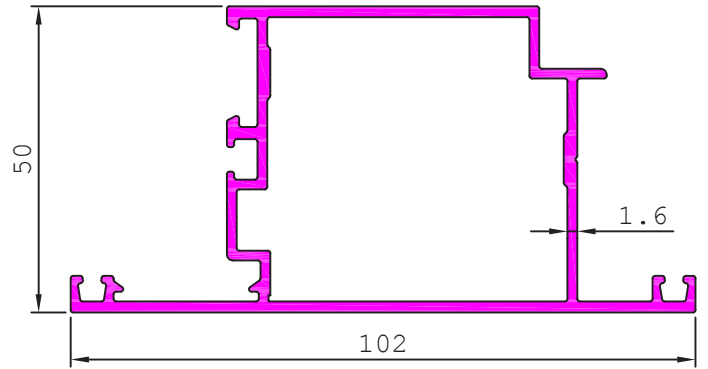
S6418

1.232 kg/m



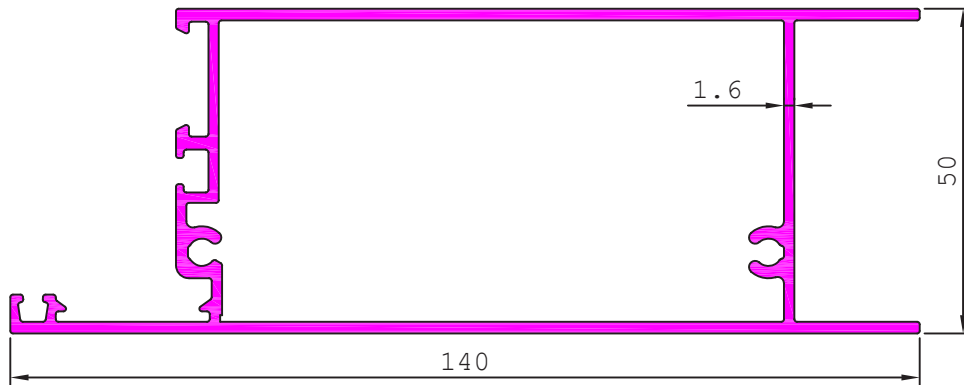
S6420

1.398 kg/m



S6419

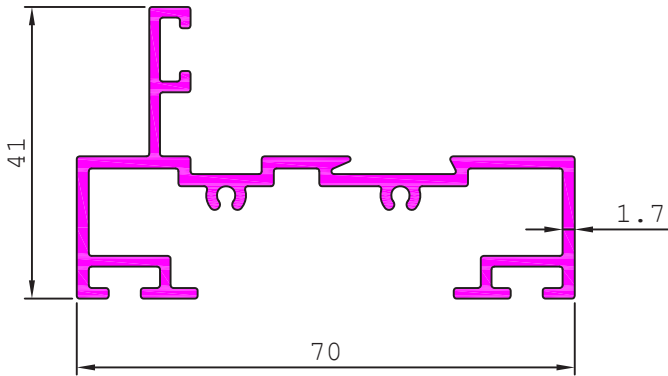
1.887 kg/m



# DETAILS OF CASEMENT WINDOW SECTIONS

21105

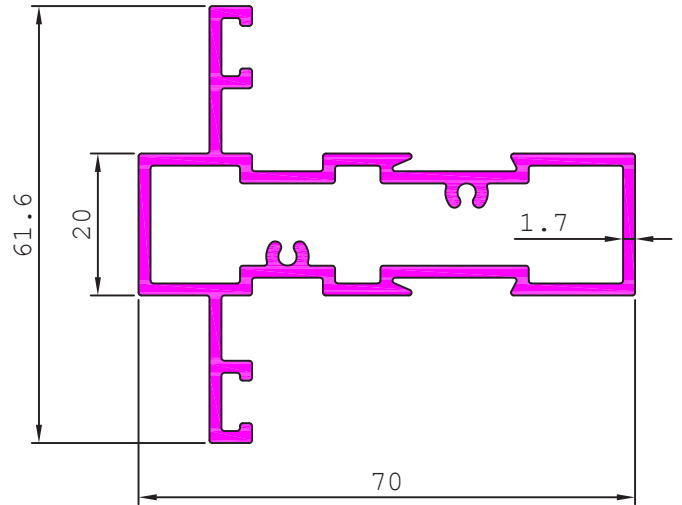
0.940 kg/m



MATCHING SECTION 19397

21106

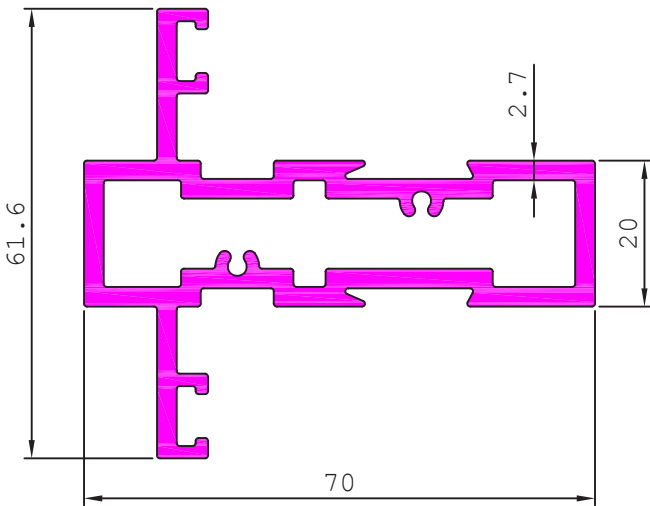
1.265 kg/m



MATCHING SECTION 19397

21227

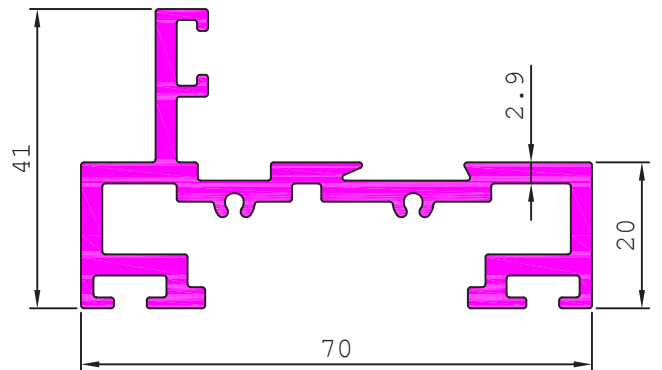
1.843 kg/m



MATCHING SECTION 19411

21228

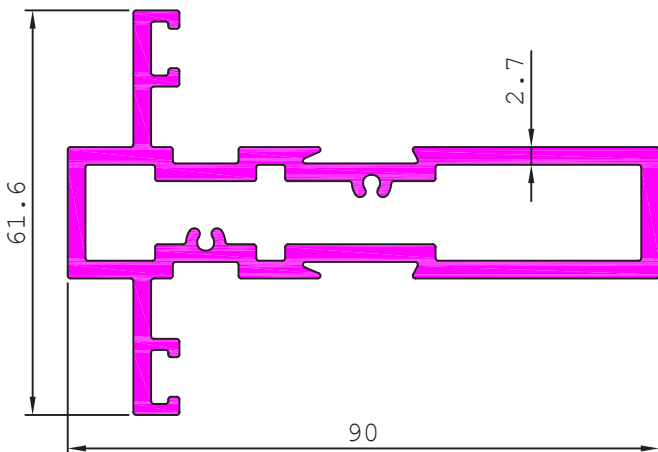
1.445 kg/m



MATCHING SECTION 19411

S5525

2.130 kg/m

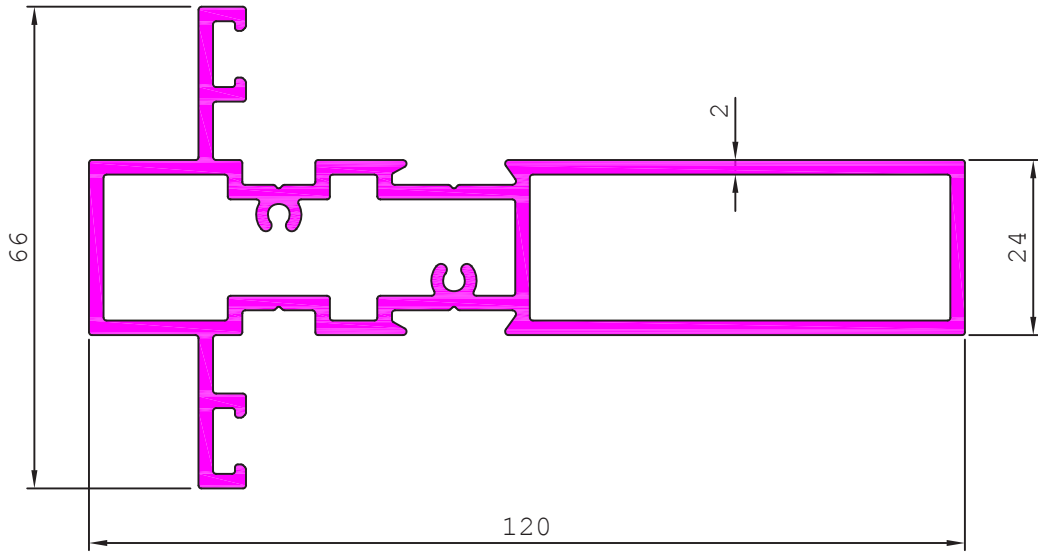


MATCHING SECTION 19411

# DETAILS OF CASEMENT WINDOW SECTIONS

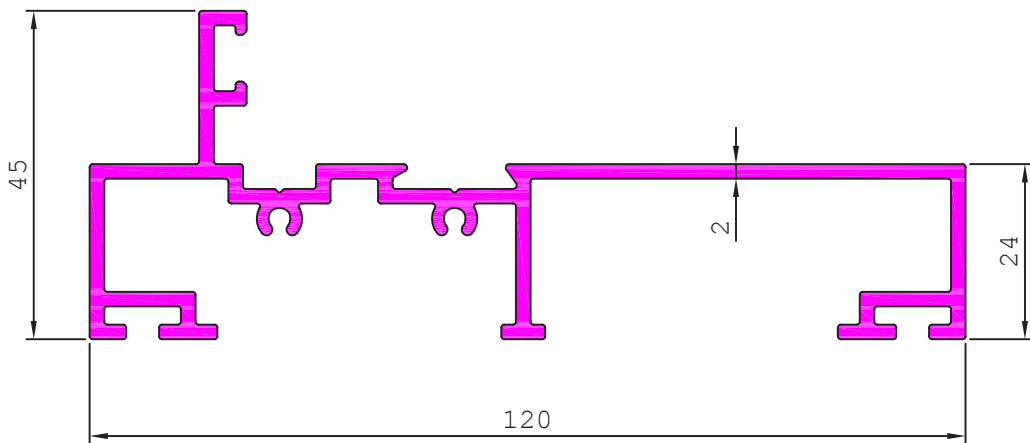
21279

2.182 kg/m



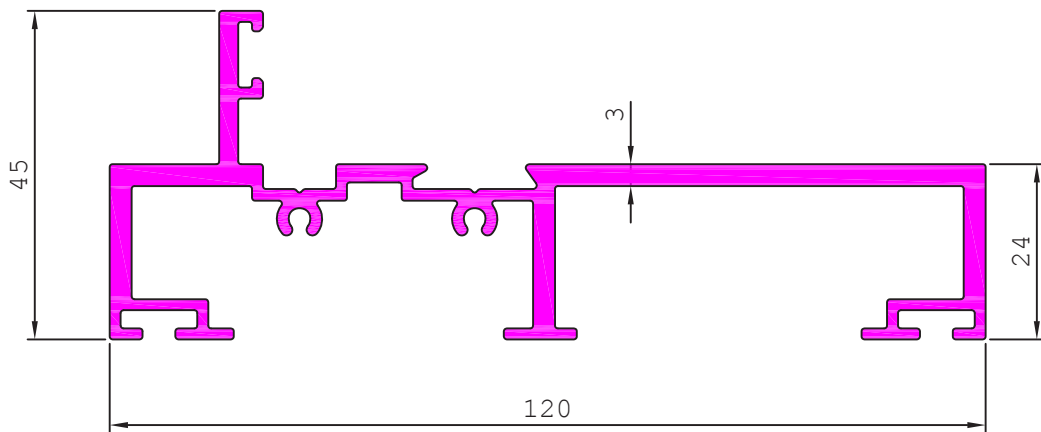
21280

1.630 kg/m



21274

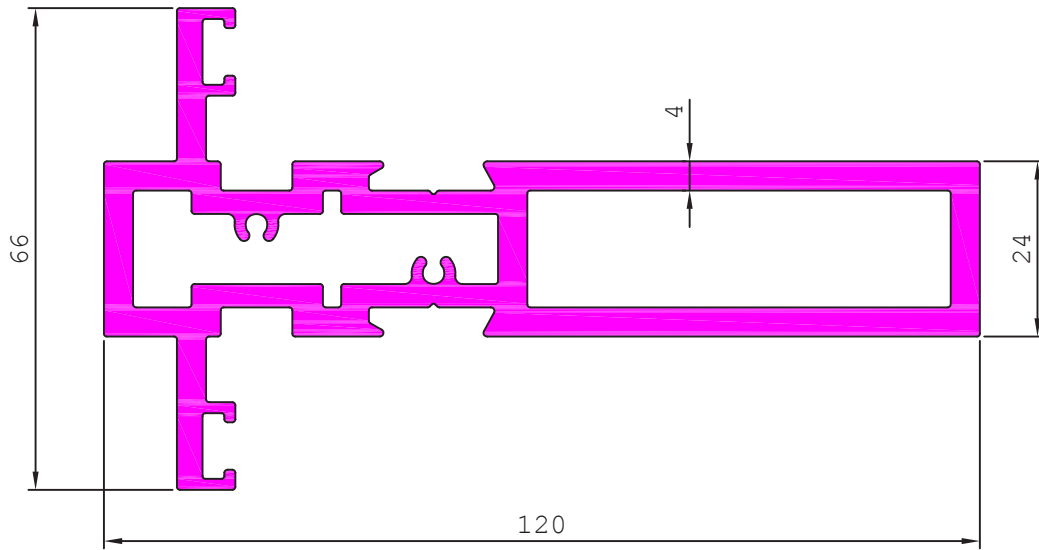
1.873 kg/m



# DETAILS OF CASEMENT WINDOW SECTIONS

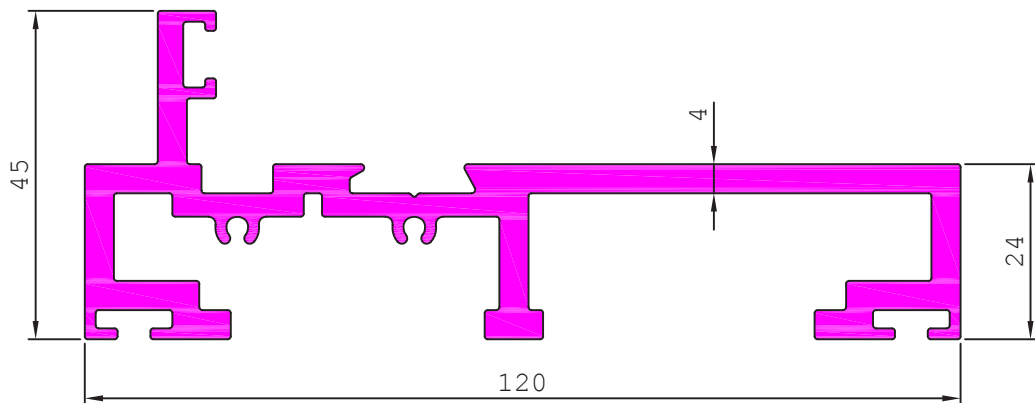
21479

3.820 kg/m



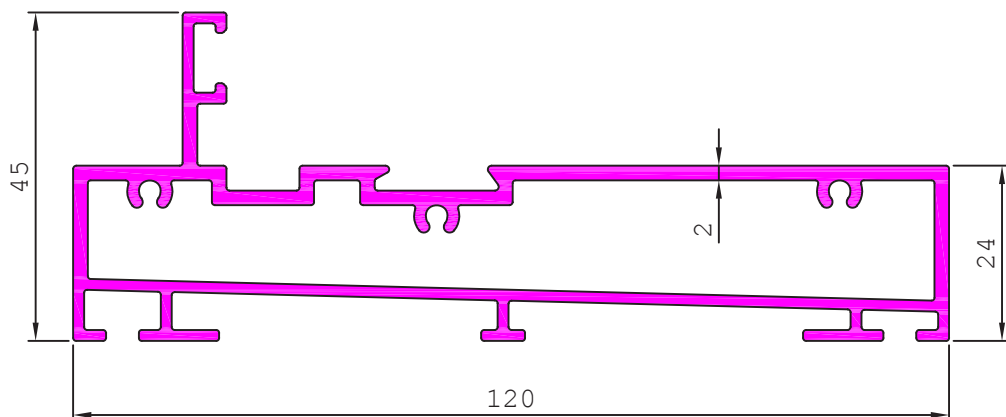
21478

2.819 kg/m



21282

1.859 kg/m

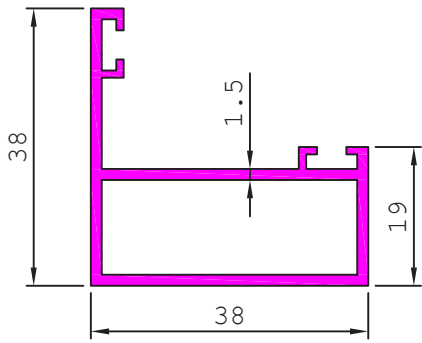


**ARCHITECTURAL**

**DETAILS OF CASEMENT WINDOW SECTIONS**

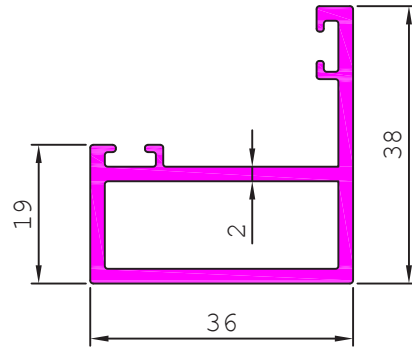
21057

0.559 kg/m



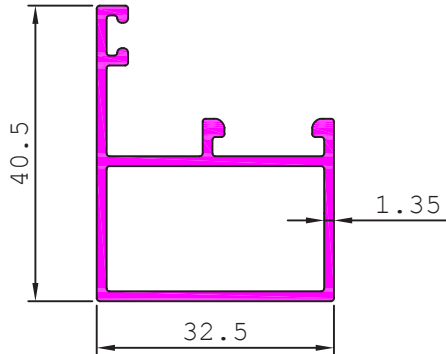
20930

0.701 kg/m



21704

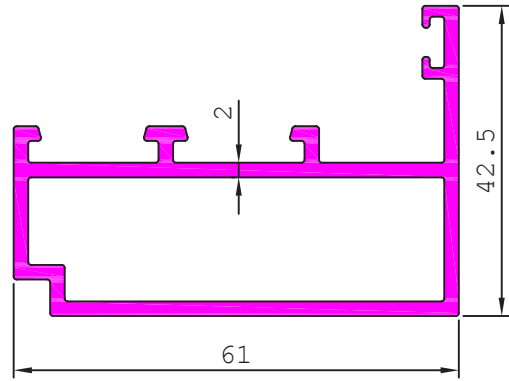
0.524 kg/m



MATCHING SECTION 19477

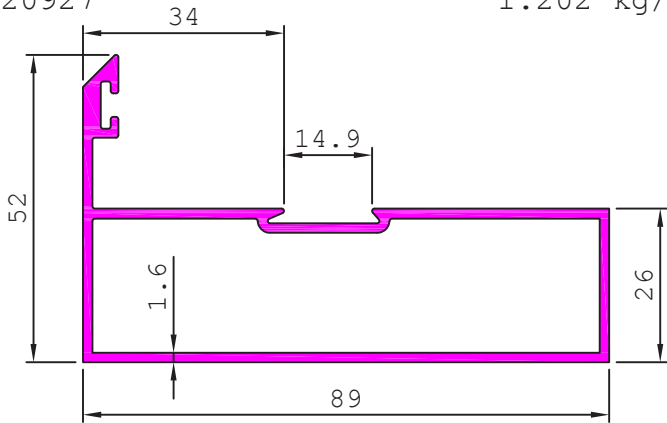
S5095

1.110 kg/m



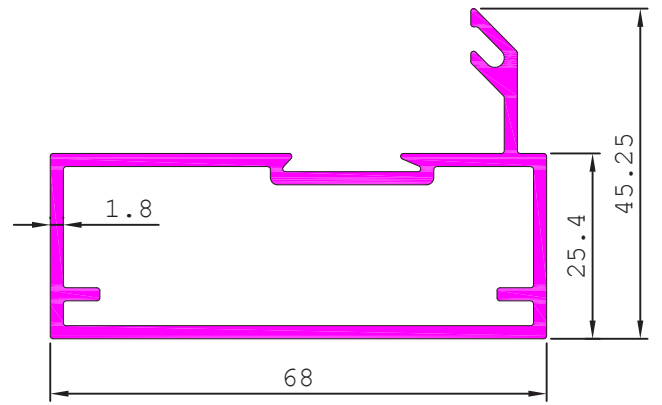
20927

1.202 kg/m



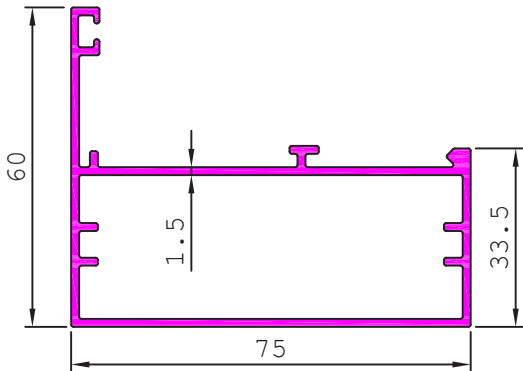
21050

1.088 kg/m



21295

1.121 kg/m



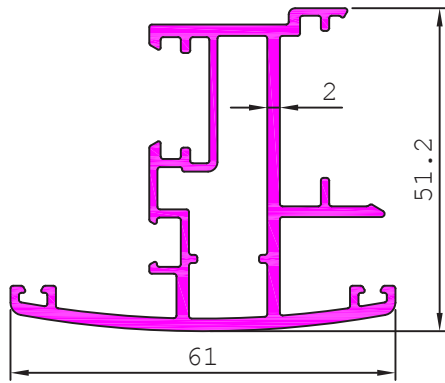
MATCHING SECTION 19395



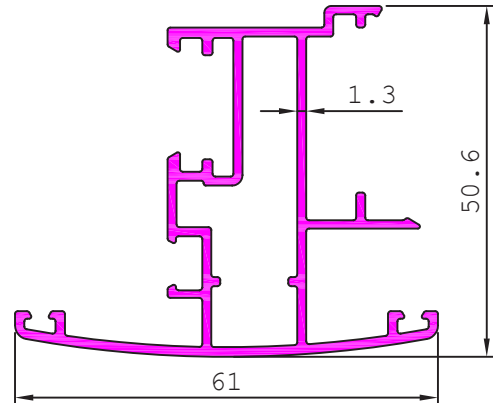
**ARCHITECTURAL**

**DETAILS OF CASEMENT WINDOW SECTIONS**

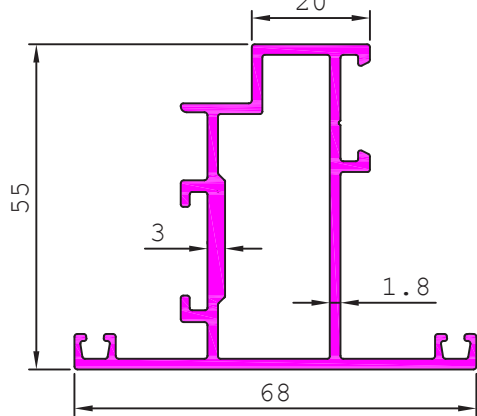
21594 1.171 kg/m



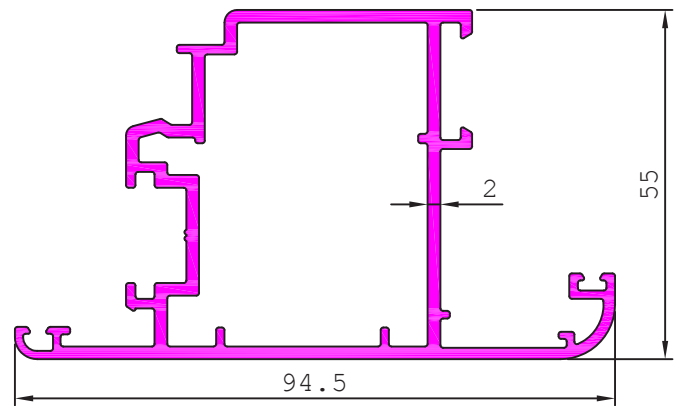
21701 0.913 kg/m



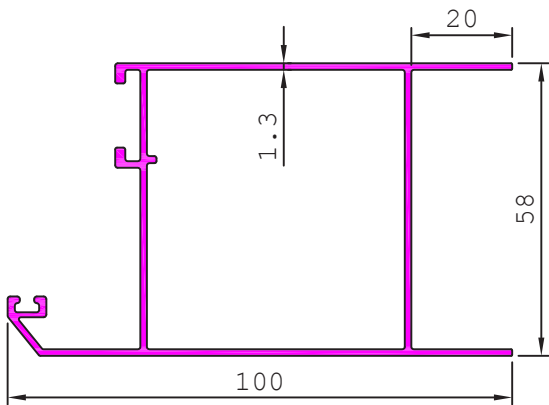
21186 1.223 kg/m



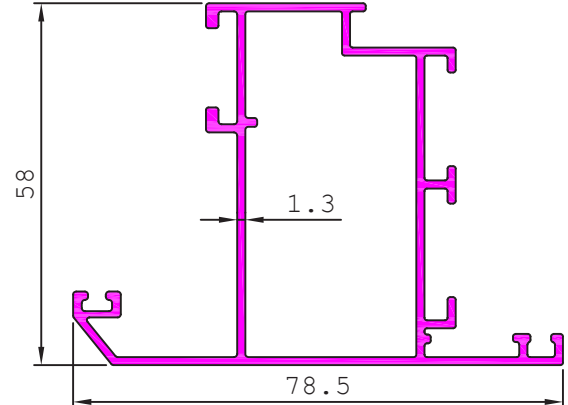
21493 1.627 kg/m



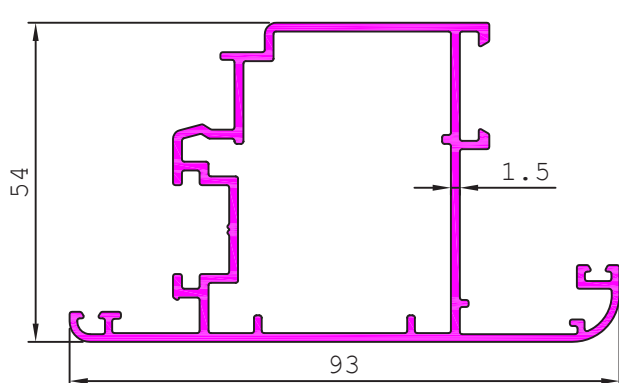
21511 1.131 kg/m



21512 1.039 kg/m



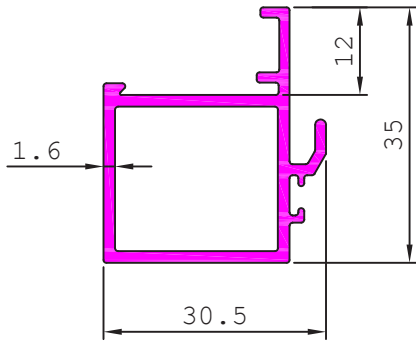
21700 1.276 kg/m



# DETAILS OF CASEMENT WINDOW SECTIONS

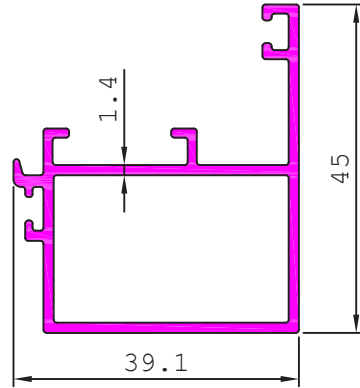
21655

0.526 kg/m



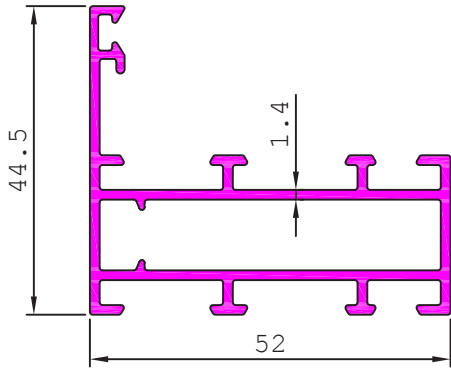
21549

0.620 kg/m



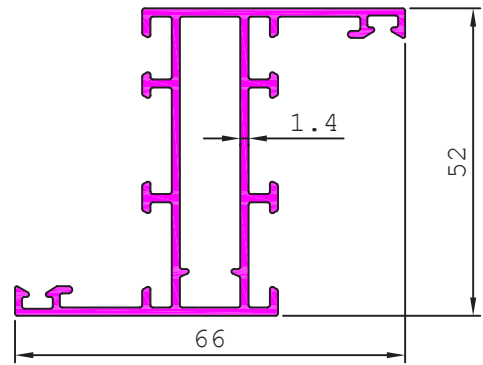
# DETAILS OF CASEMENT WINDOW SECTIONS

21635 0.842 kg/m



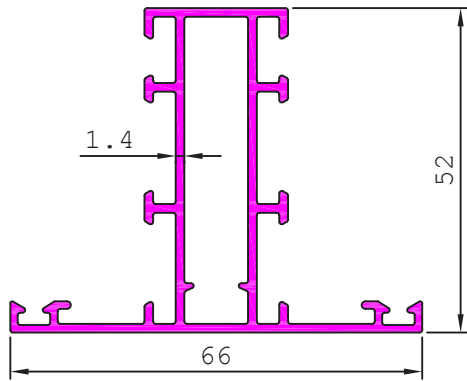
MATCHING SECTION 19469

21636 0.956 kg/m



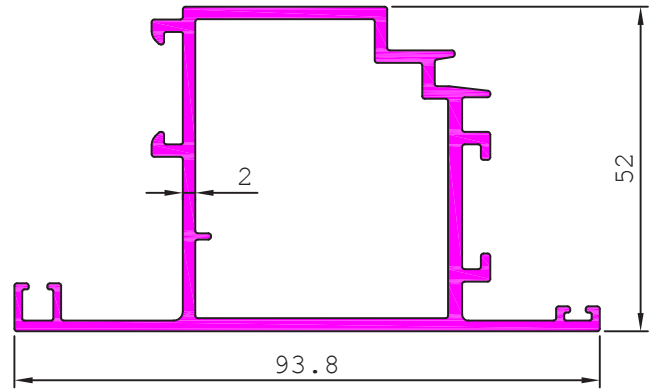
MATCHING SECTION 19469

21634 0.956 kg/m

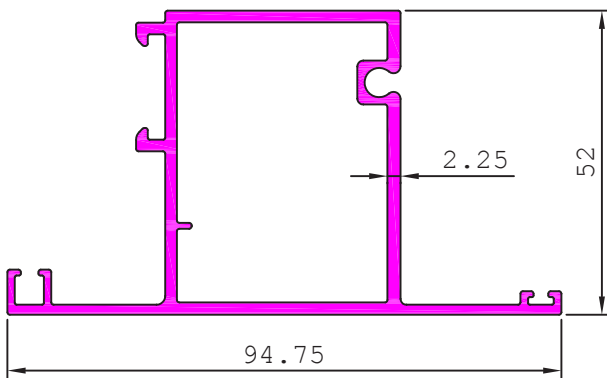


MATCHING SECTION 19469

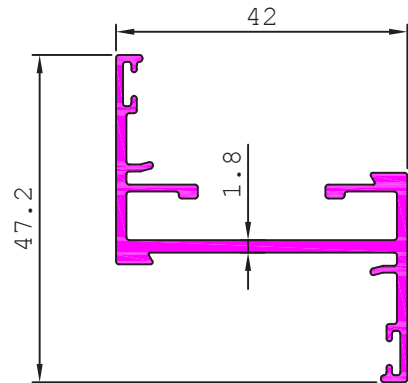
S4653 1.503 kg/m



S4656 1.429 kg/m

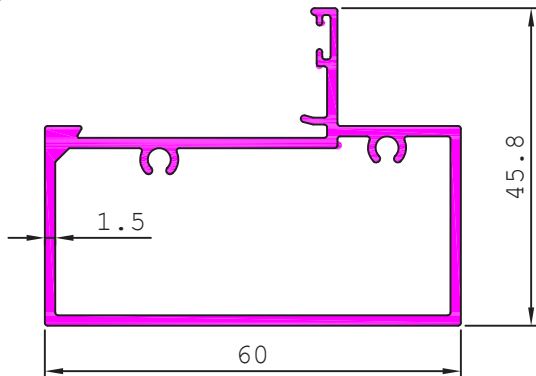


21324 0.573 kg/m



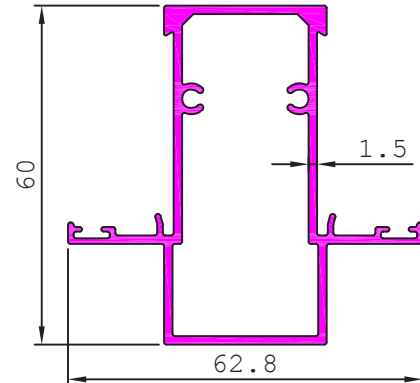
MATCHING SECTION 19430

21322 0.860 kg/m



MATCHING SECTION 19430

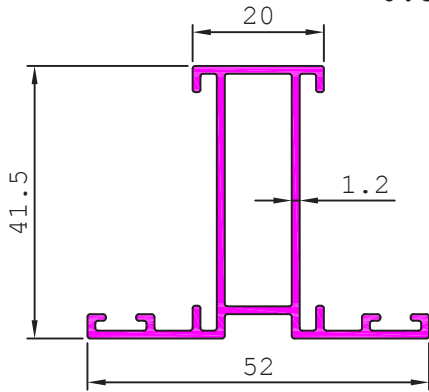
21323 0.976 kg/m



MATCHING SECTION 19430

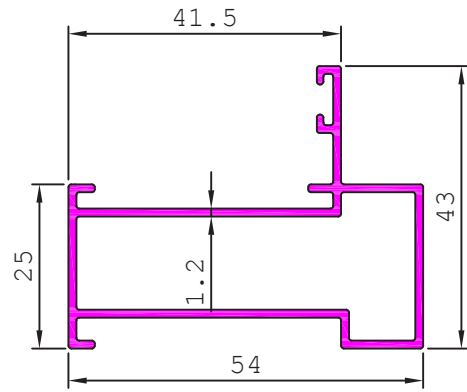
# DETAILS OF CASEMENT WINDOW SECTIONS

21177 0.579 kg/m



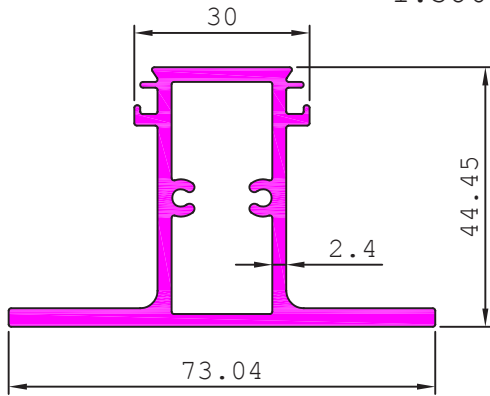
MATCHING SECTION 19406

21178 0.637 kg/m

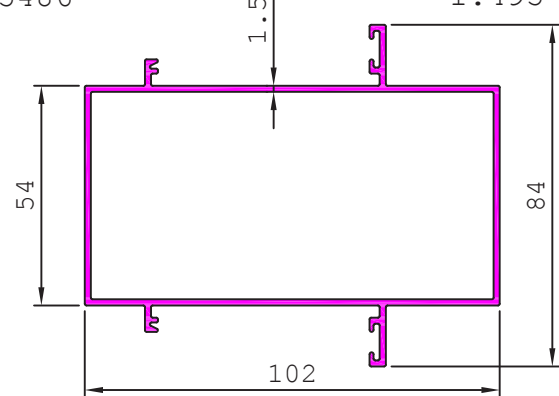


MATCHING SECTION 19406

20902 1.386 kg/m

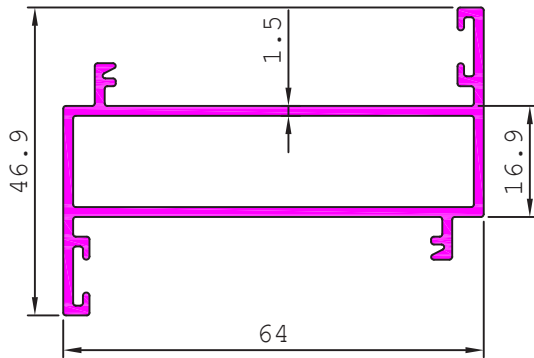


S5486 1.495 kg/m



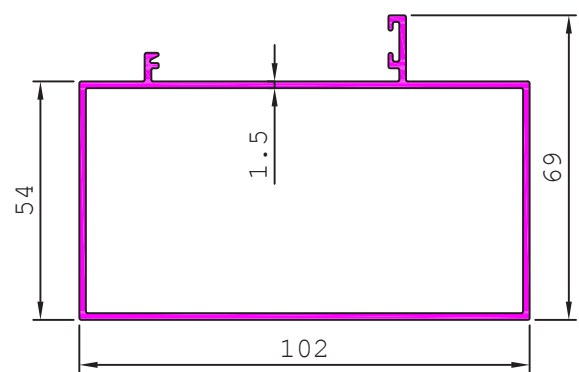
MATCHING SECTION WITH 19385

S5487 0.887 kg/m



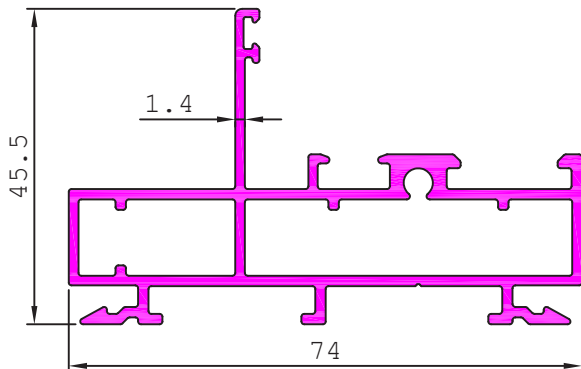
MATCHING SECTION WITH 19385

S5485 1.367 kg/m



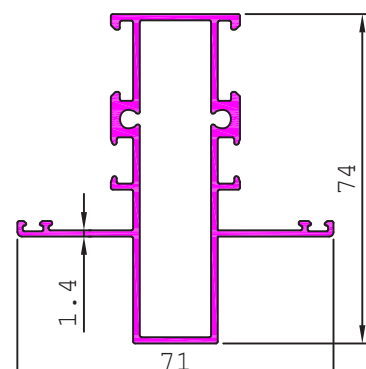
MATCHING SECTION WITH 19385

21796 1.162 kg/m



MATCHING SECTION WITH 19495

21797 1.226 kg/m

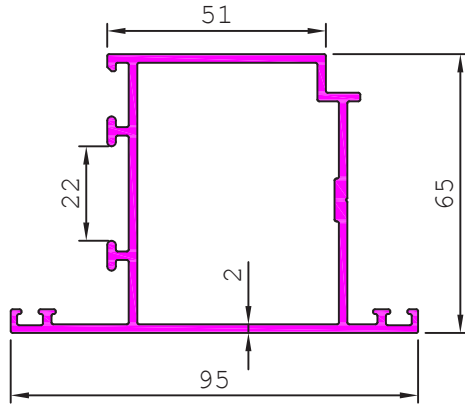


MATCHING SECTION WITH 19495

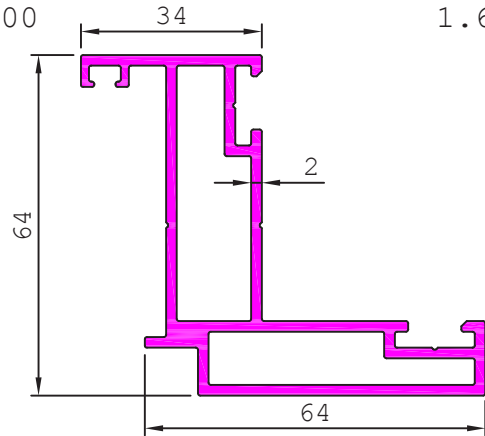
# ARCHITECTURAL

## DETAILS OF CASEMENT WINDOW SECTIONS

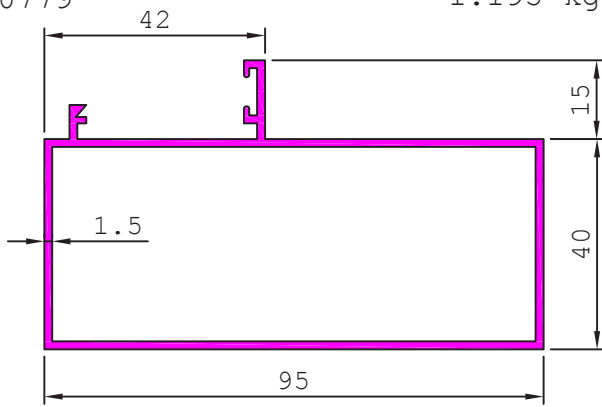
21199 1.709 kg/m



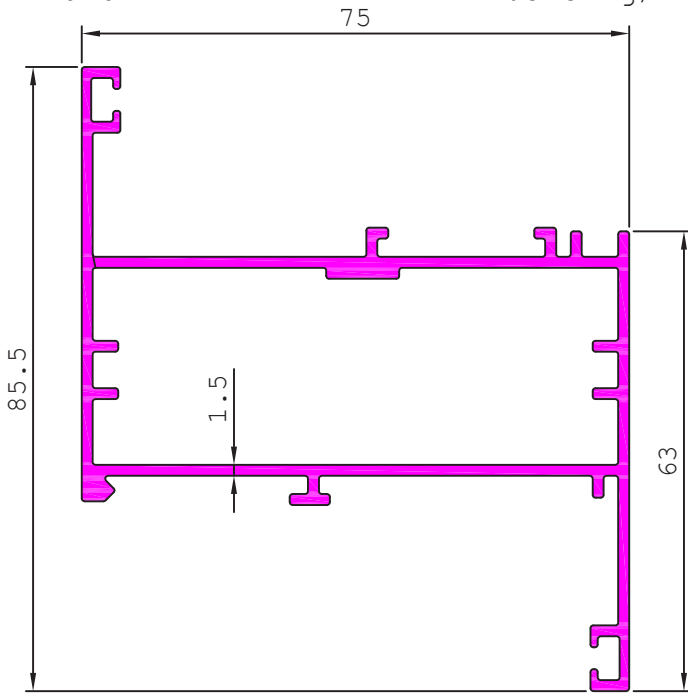
21200 1.636 kg/m



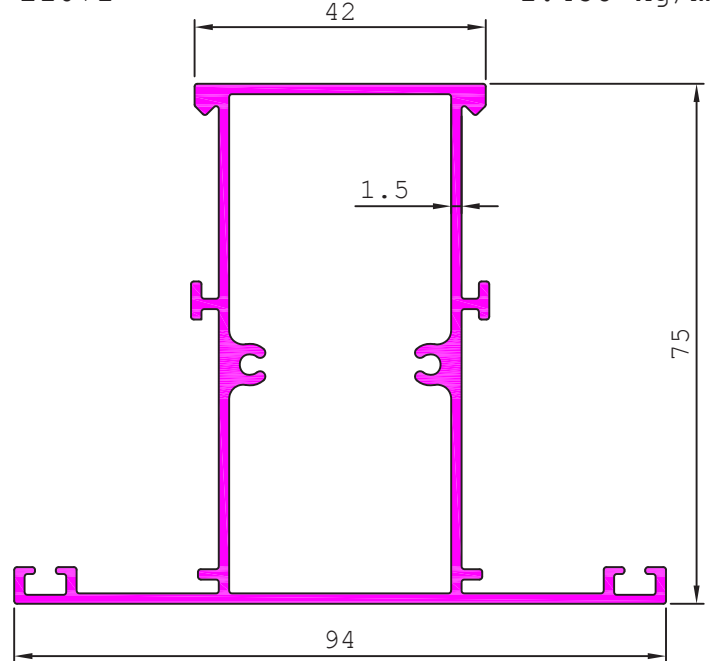
20779 1.195 kg/m



21070 1.373 kg/m

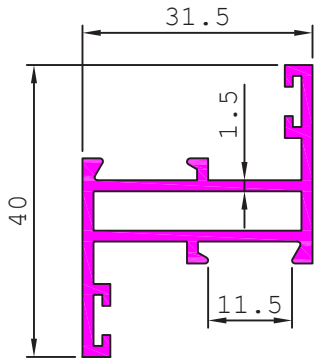


21071 1.458 kg/m



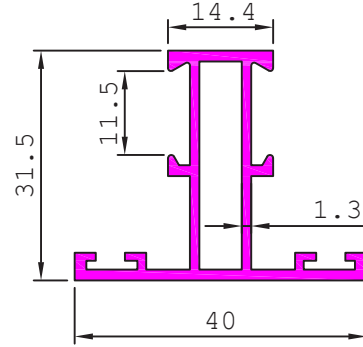
# DETAILS OF CASEMENT WINDOW SECTIONS

20533 0.549 kg/m



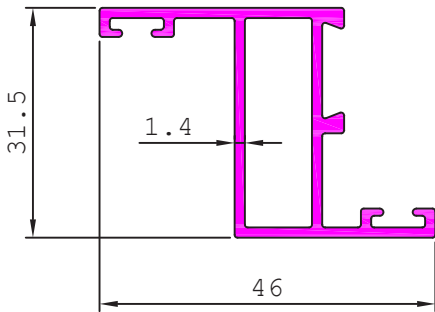
MATCHING SECTION 19389

20534 0.502 kg/m



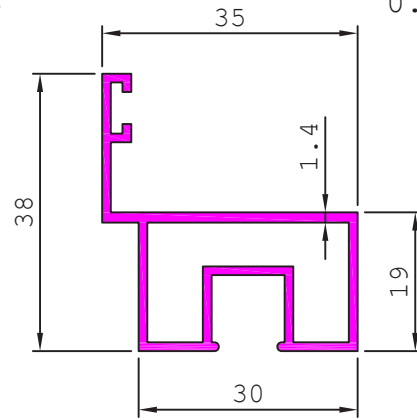
MATCHING SECTION 19389

S4611 0.533 kg/m

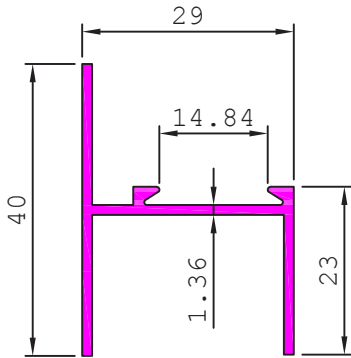


MATCHING SECTION S4612

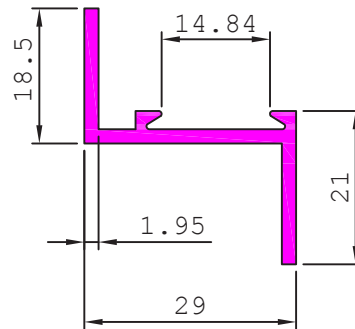
20863 0.497 kg/m



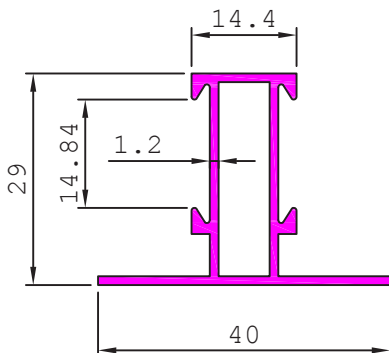
20653 0.354 kg/m



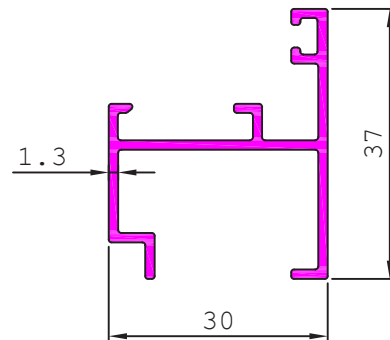
20654 0.364 kg/m



20658 0.367 kg/m



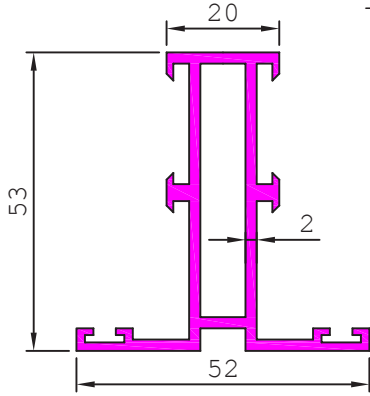
21410 0.404 kg/m



# DETAILS OF CASEMENT WINDOW SECTIONS

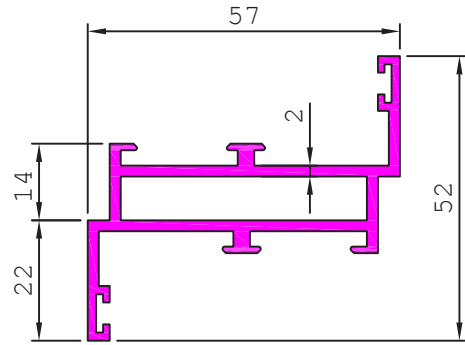
20536

1.065 kg/m



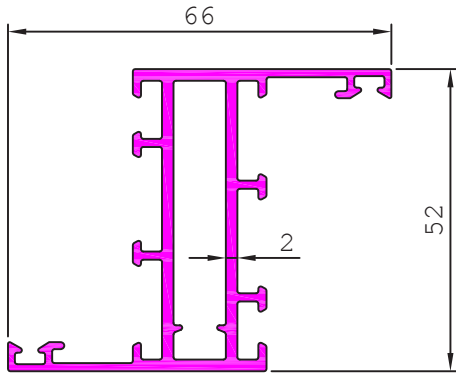
20535

1.065 kg/m



21871

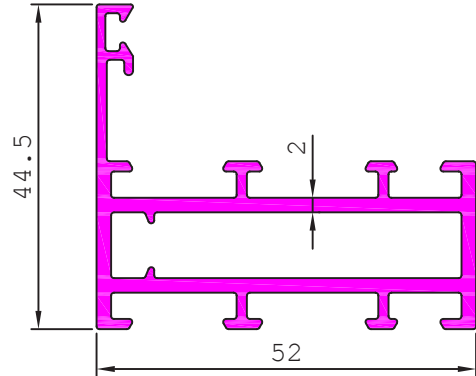
1.160 kg/m



MATCHING SECTION S5730

21872

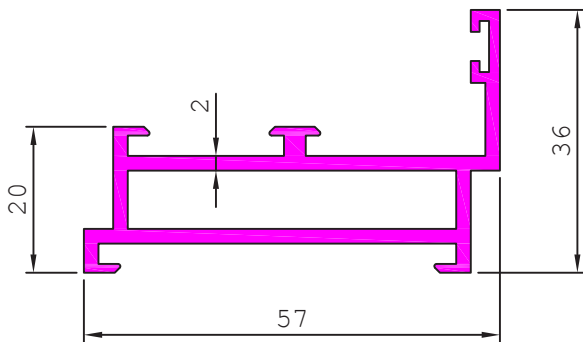
1.054 kg/m



MATCHING SECTION S5730

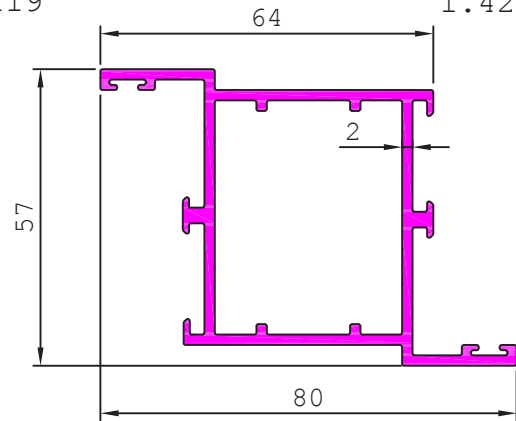
20989

0.918 kg/m



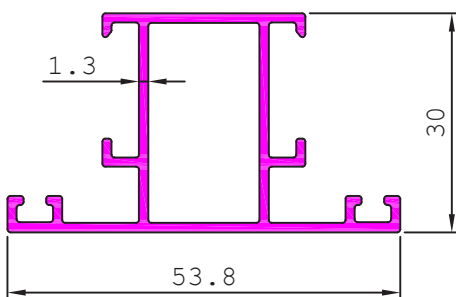
21119

1.426 kg/m



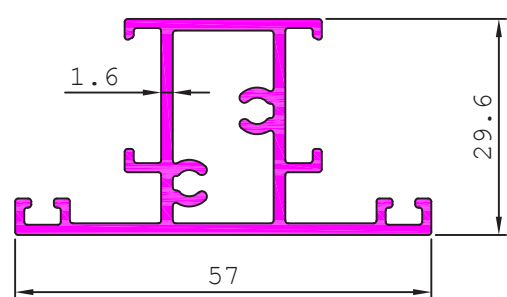
21530

0.606 kg/m



21541

0.768 kg/m

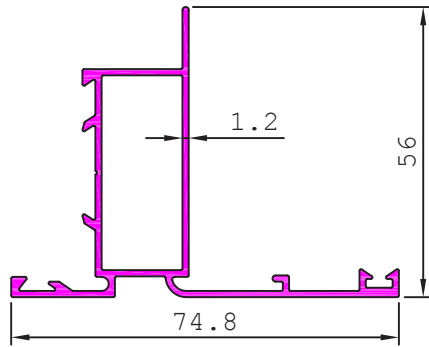


**ARCHITECTURAL**

**DETAILS OF CASEMENT WINDOW SECTIONS**

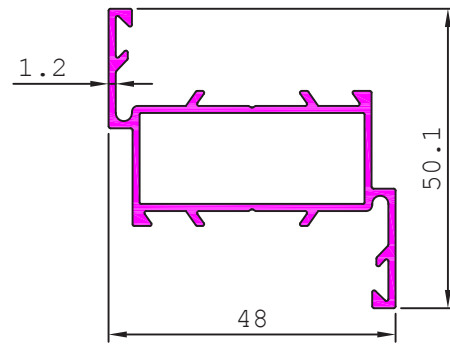
21602

0.751 kg/m



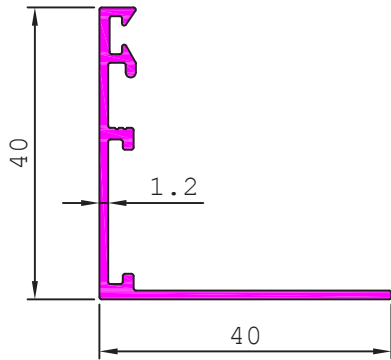
21601

0.637 kg/m



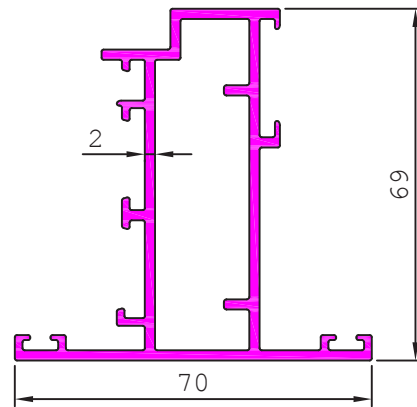
21600

0.329 kg/m



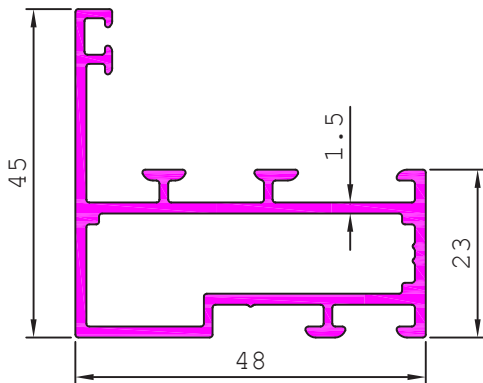
21721

1.532 kg/m



21230

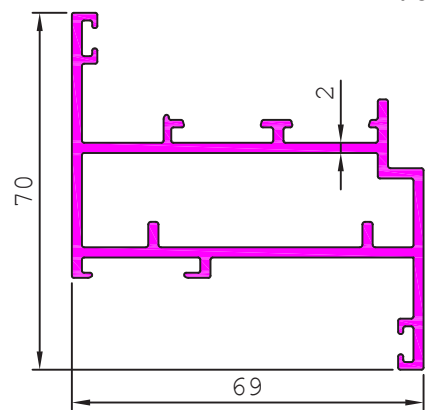
0.820 kg/m



MATCHING SECTION 19412 & 21231

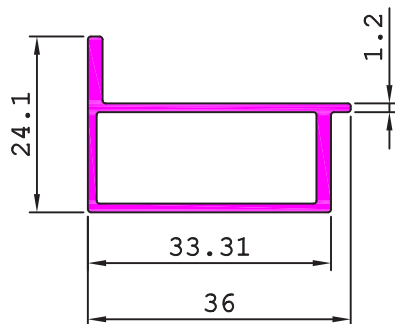
21722

1.501 kg/m



21231

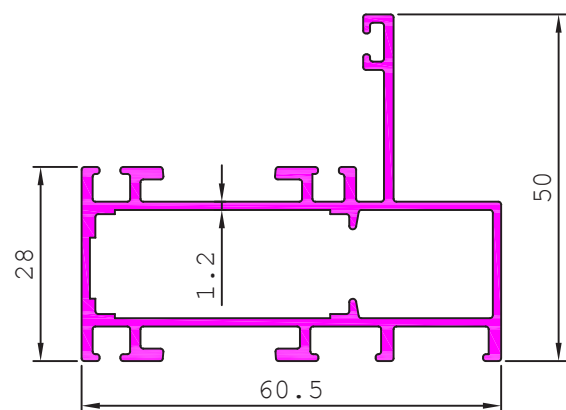
0.382 kg/m



MATCHING SECTION 21230

21215

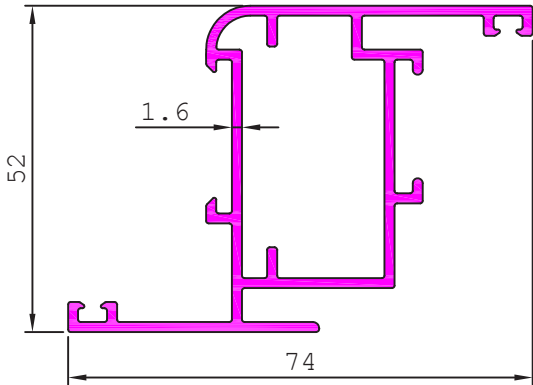
0.959 kg/m



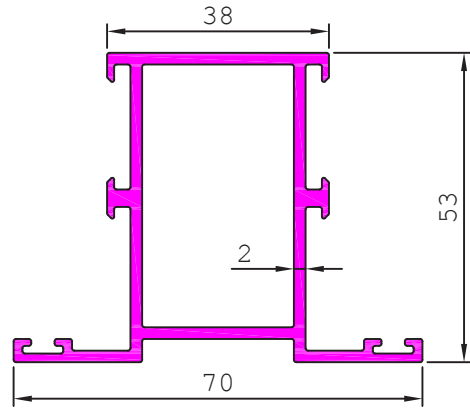


# DETAILS OF CASEMENT WINDOW SECTIONS

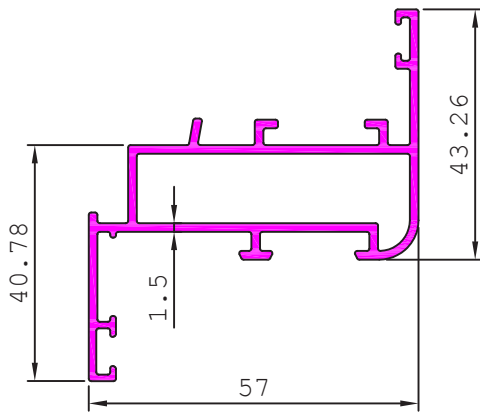
21291 1.121 kg/m



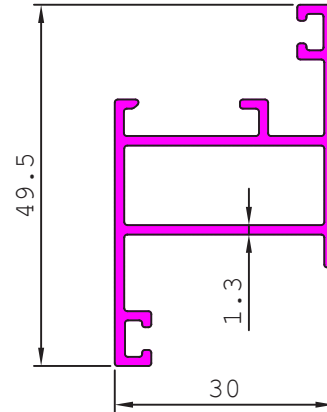
21293 1.251 kg/m



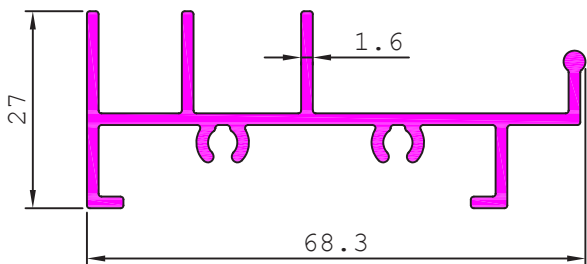
21353 0.940 kg/m



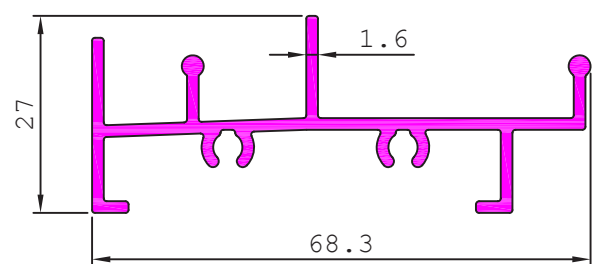
21415 0.543 kg/m



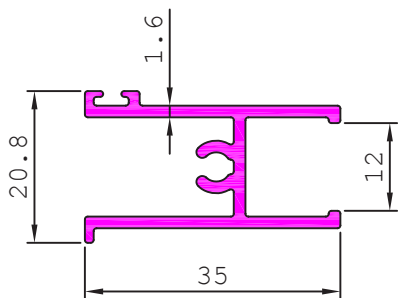
21660 0.746 kg/m



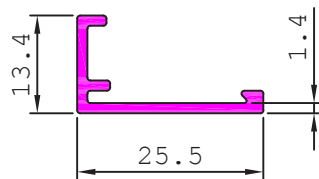
21661 0.720 kg/m



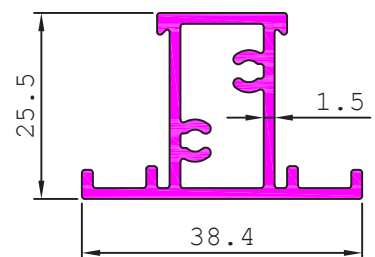
21656 0.452 kg/m



21657 0.185 kg/m



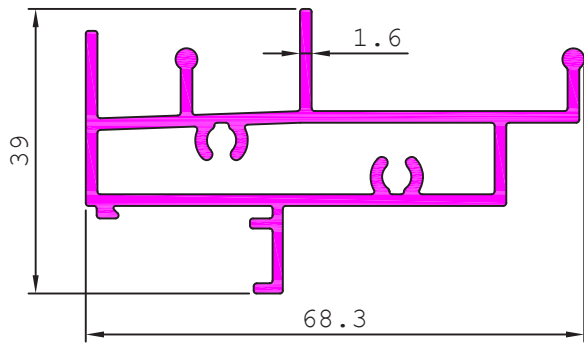
21663 0.543 kg/m



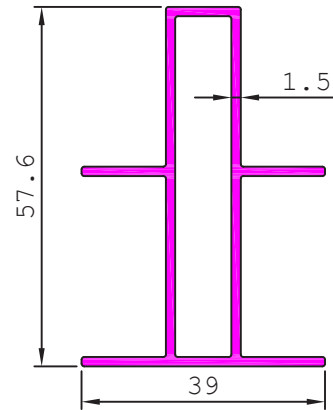
**ARCHITECTURAL**

**DETAILS OF CASEMENT WINDOW SECTIONS**

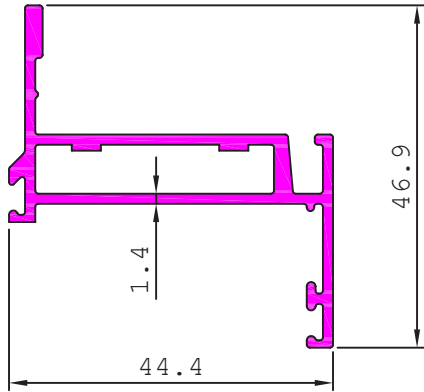
21662 0.991 kg/m



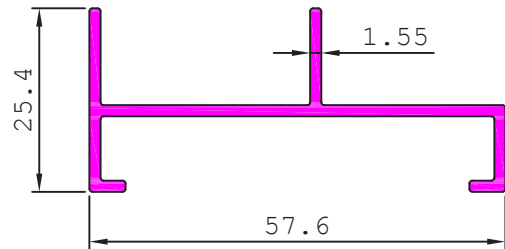
21665 0.758 kg/m



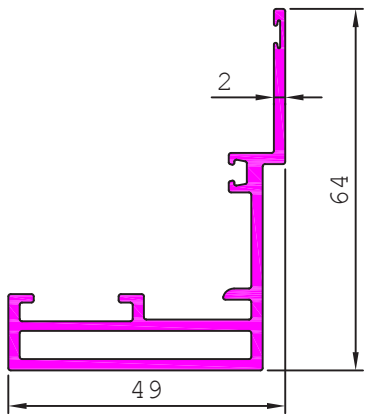
21666 0.653 kg/m



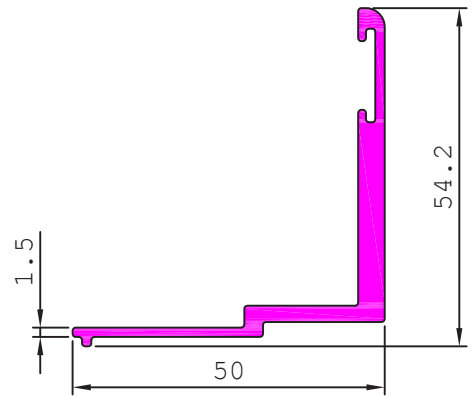
21659 0.470 kg/m



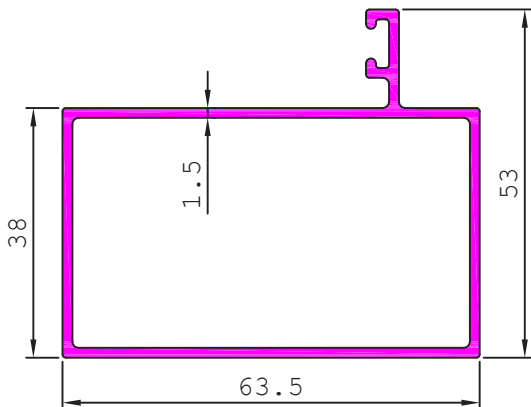
S4687 0.967 kg/m



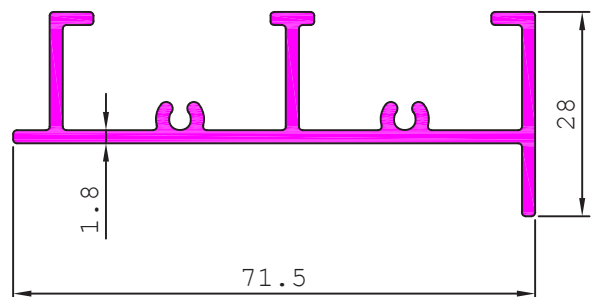
S5328 0.739 kg/m



21865 0.901 kg/m



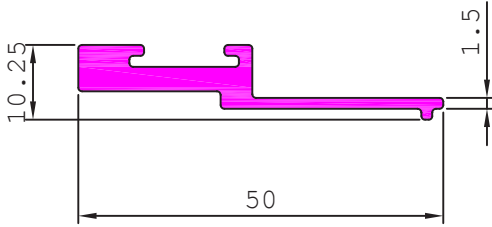
21866 0.771 kg/m



# DETAILS OF CASEMENT WINDOW SECTIONS

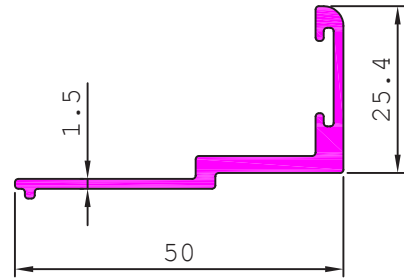
S5239

0.443 kg/m



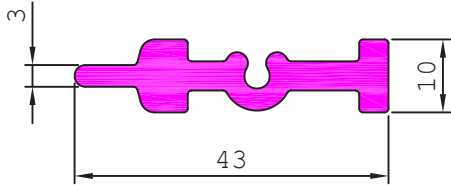
S5240

0.453 kg/m



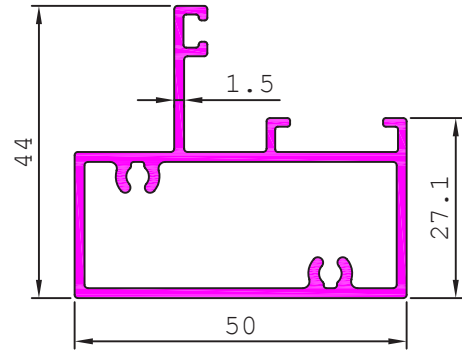
S5241

0.638 kg/m



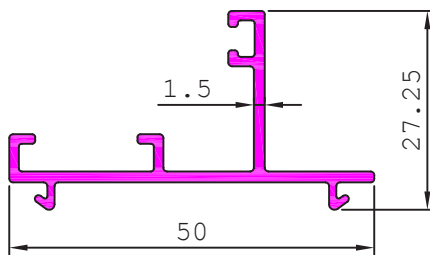
21867

0.818 kg/m



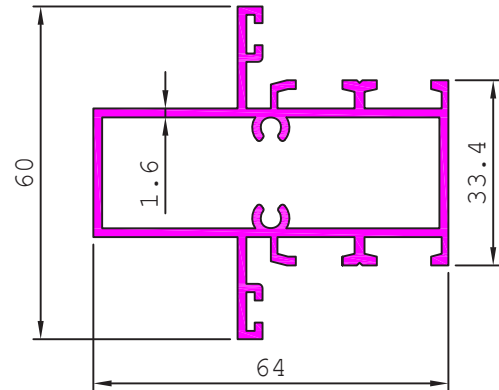
21868

0.403 kg/m



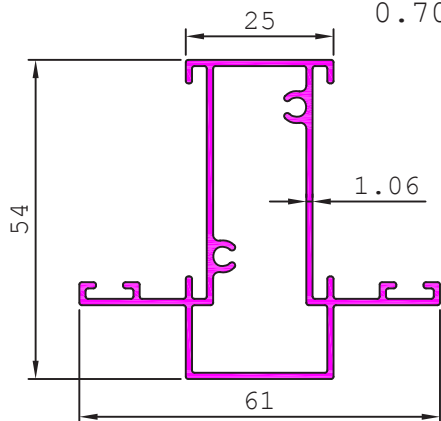
20795

1.233 kg/m



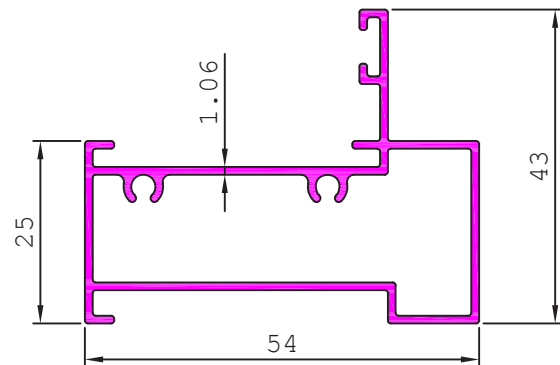
21438

0.706 kg/m



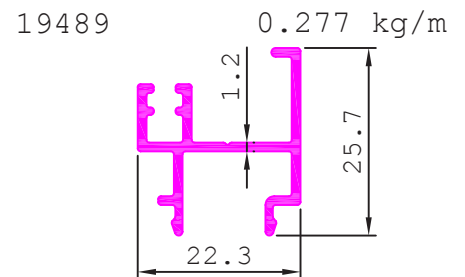
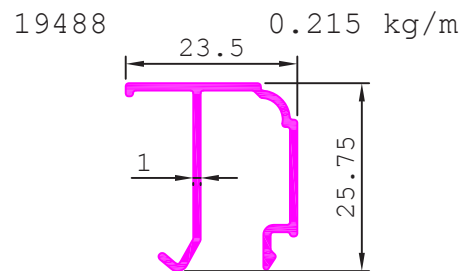
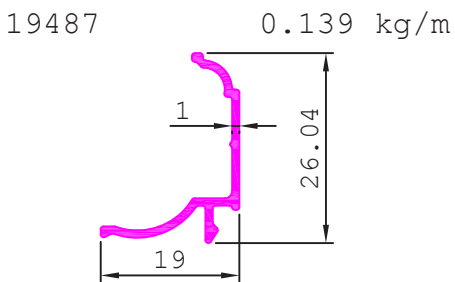
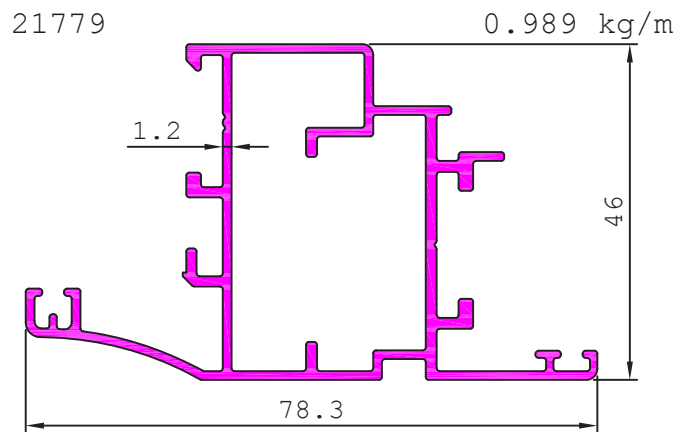
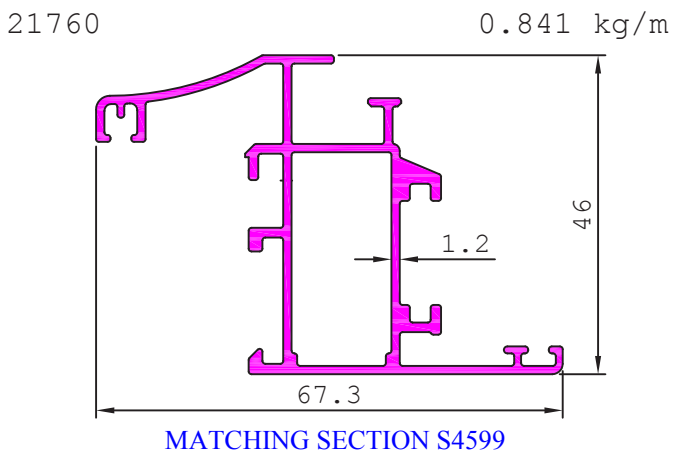
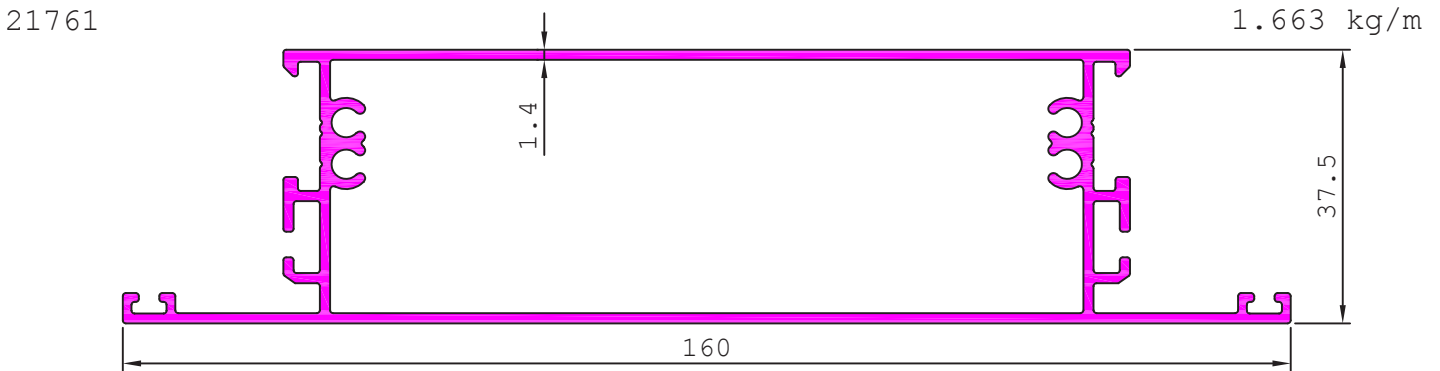
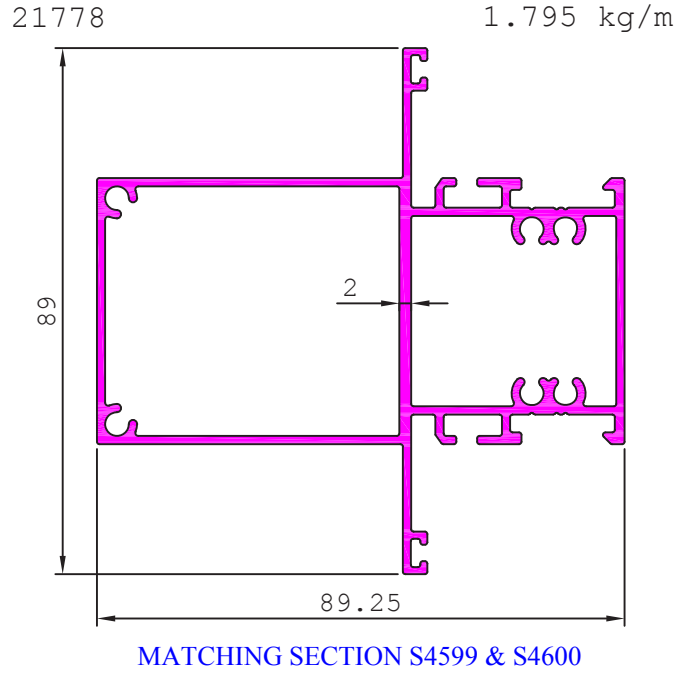
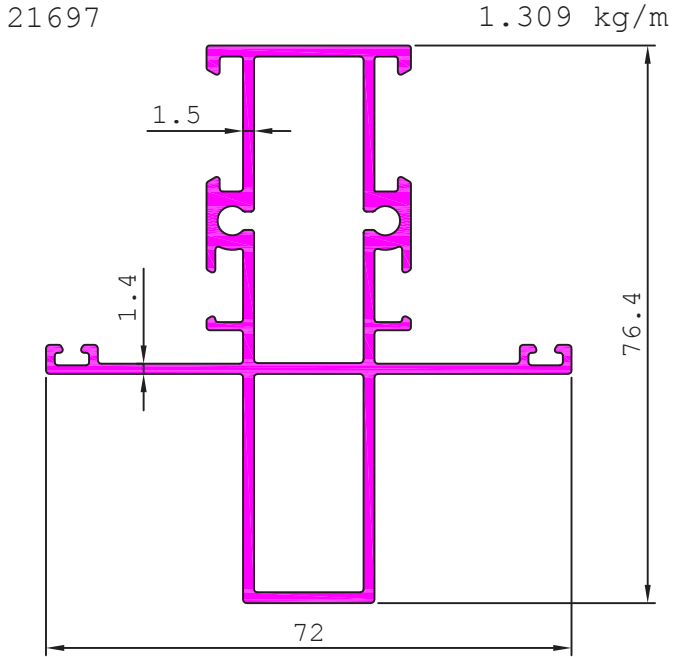
21439

0.620 kg/m



**ARCHITECTURAL**

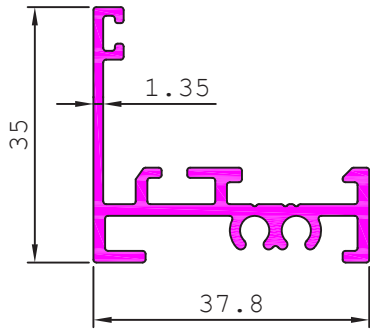
**DETAILS OF CASEMENT WINDOW SECTIONS**



# DETAILS OF CASEMENT WINDOW SECTIONS

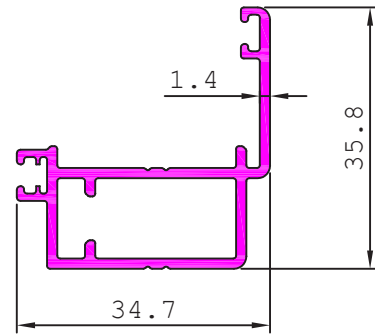
21762

0.546 kg/m



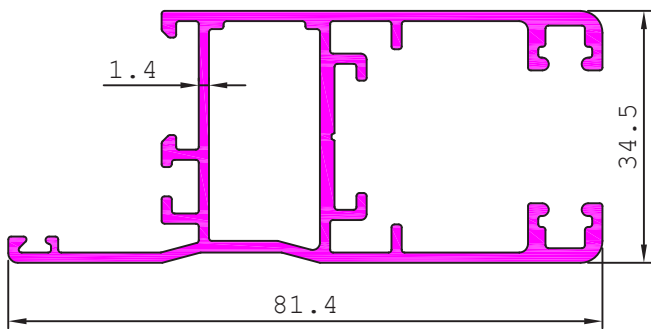
21763

0.469 kg/m



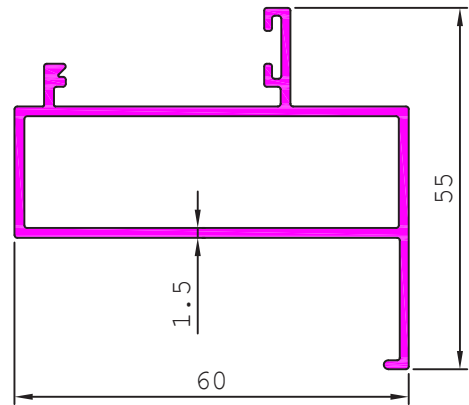
21767

1.169 kg/m



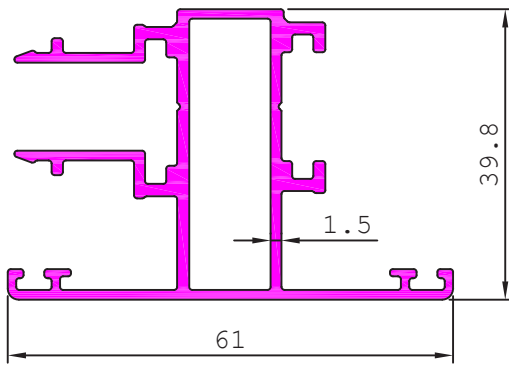
21730

0.835 kg/m



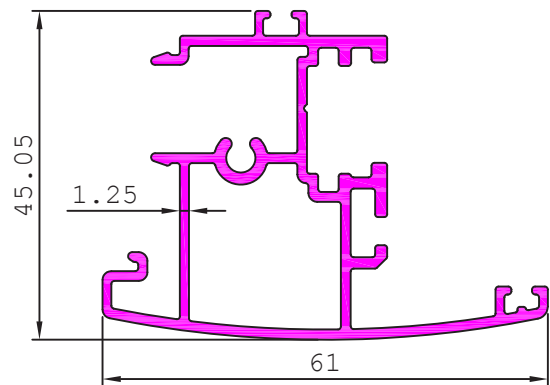
21784

0.983 kg/m



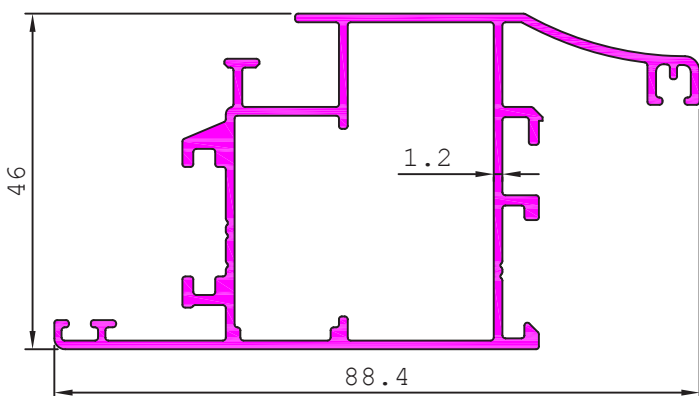
21785

0.924 kg/m



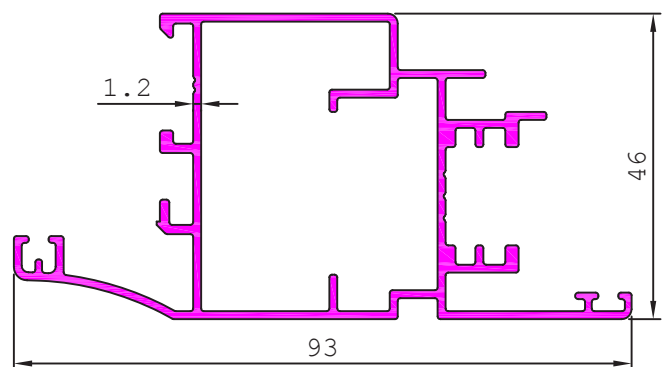
21786

1.035 kg/m



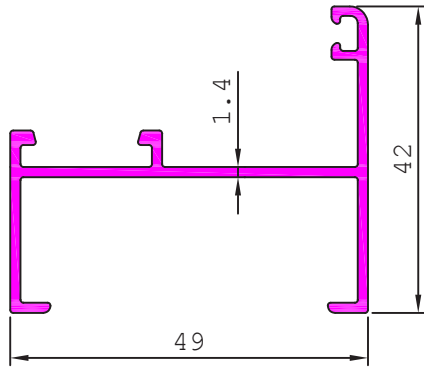
21787

1.127 kg/m

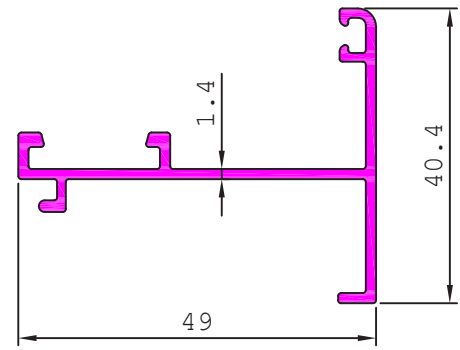


# DETAILS OF CASEMENT WINDOW SECTIONS

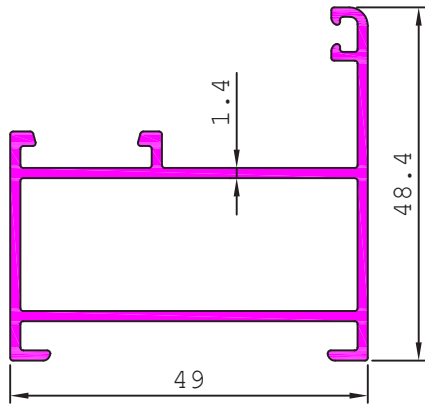
21852 0.524 kg/m



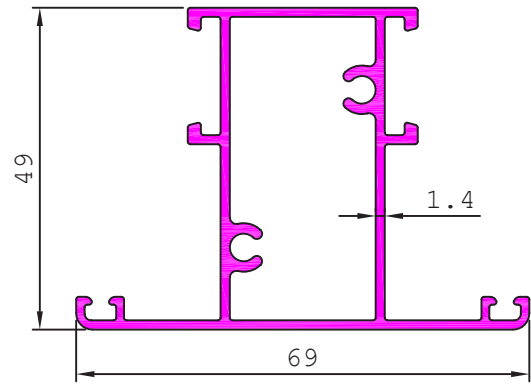
21853 0.457 kg/m



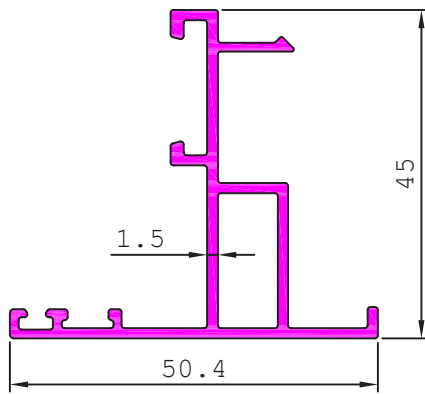
21854 0.747 kg/m



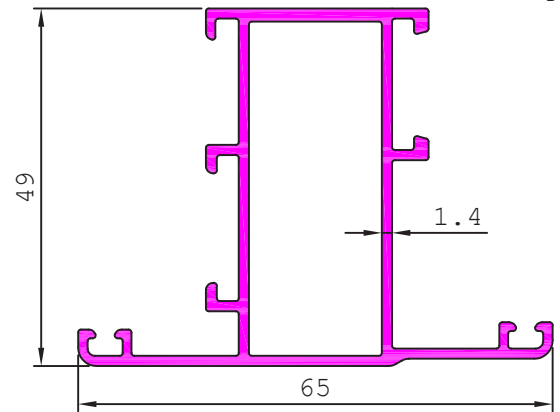
21855 0.971 kg/m



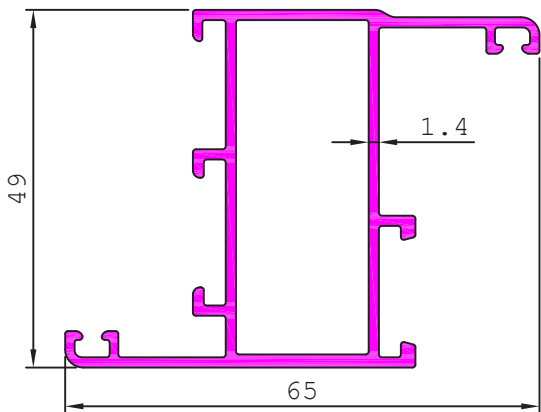
21856 0.612 kg/m



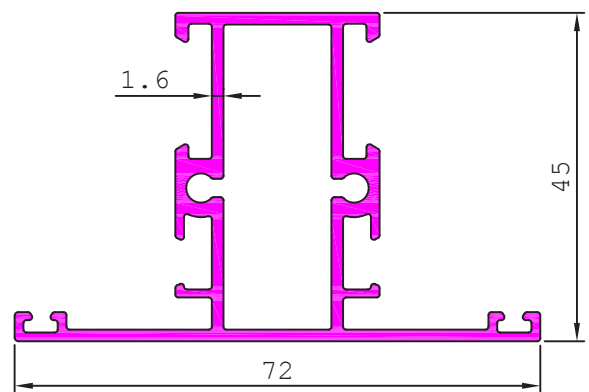
21857 0.889 kg/m



21858 0.889 kg/m

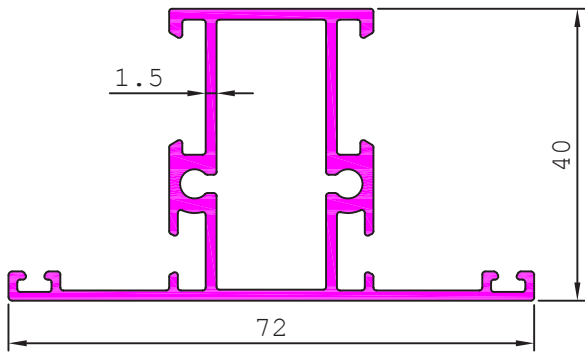


21859 1.044 kg/m

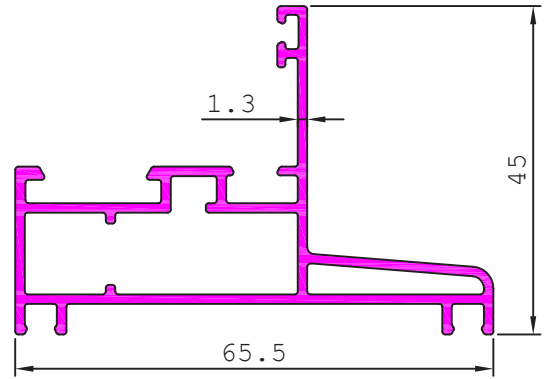


# DETAILS OF CASEMENT WINDOW SECTIONS

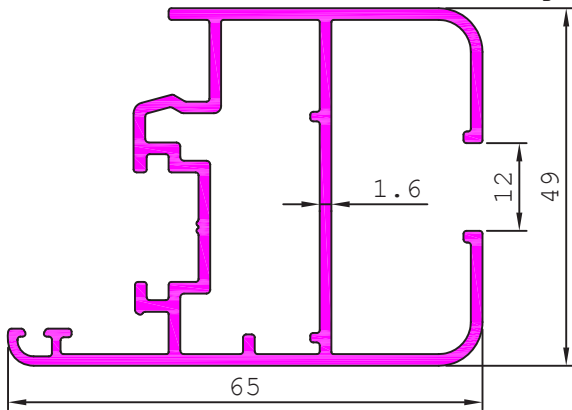
21860 0.934 kg/m



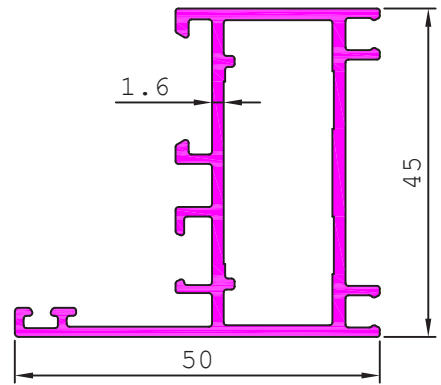
21861 0.828 kg/m



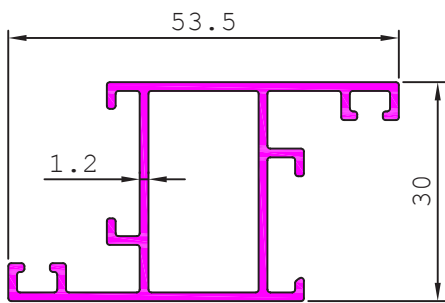
21862 1.190 kg/m



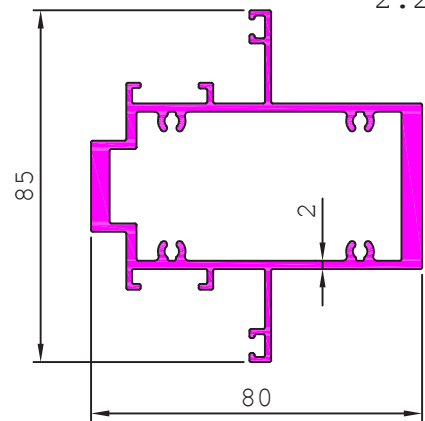
21863 0.842 kg/m



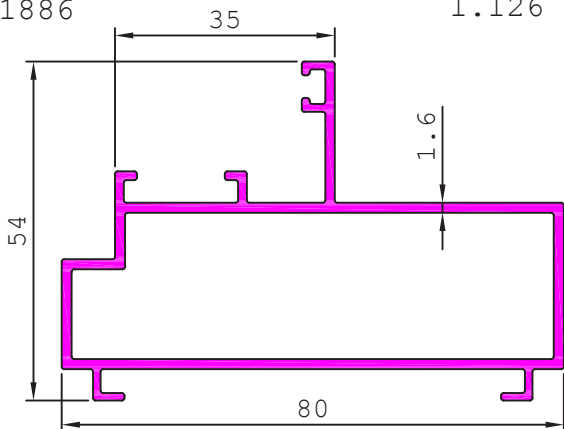
21884 0.566 kg/m



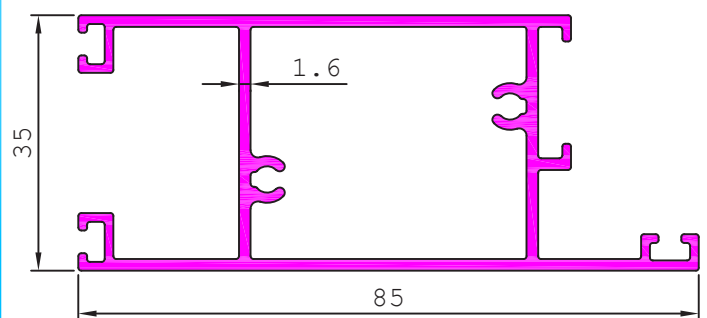
21885 2.225 kg/m



21886 1.126 kg/m



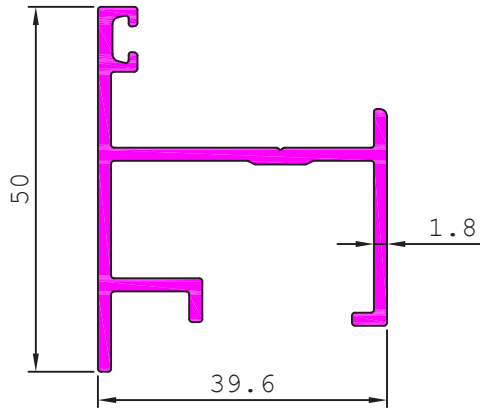
21887 1.146 kg/m



# DETAILS OF CASEMENT WINDOW SECTIONS

S6421

0.706 kg/m



S6422

0.293 kg/m

